

DK SERIES LED FLOOD

AccuLite™

Energy efficient, impact resistant,
low profile LED Flood Light



Environmentally-friendly Low Profile LED Flood



Low profile, energy efficiency, and lighting uniformity are just some of the features blended together in this rugged luminaire. The AccuLite DK Series Flood not only saves energy with its low wattage LED light engine, but also with its optional motion sensor (DK130 only) that turns the fixture off when the area

is not in use. The DK Series is perfect for work light applications such as loading docks, long refrigeration/storage areas, and other traffic related environments.

MODULO
ELECTRO



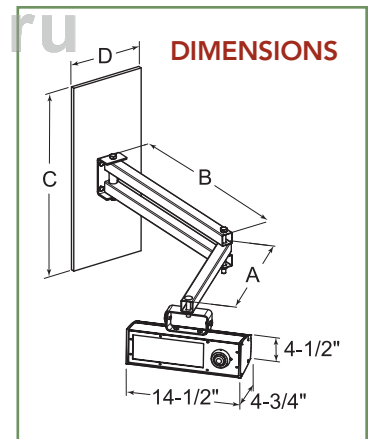
Features

- All aluminum construction, polyester powder coated for superb corrosion protection
- Completely sealed electronics
- Frosted lens for visual comfort
- 14 individual LED lenses deliver highly uniform lighting in a tight beam pattern for long throw applications
- Available with motion sensor for automatic on-demand applications
- Available in safety yellow finish with an accessory arm for work light applications

Certifications

- UL1598, CSA C22.2 250
- DK130 suitable for damp locations, DKW130 suitable for wet locations
- Union made

www.modulelectro.ru



Shown with Articulated Arm. Arm must be ordered separately.

ACCESSORY ARM DIMENSIONS

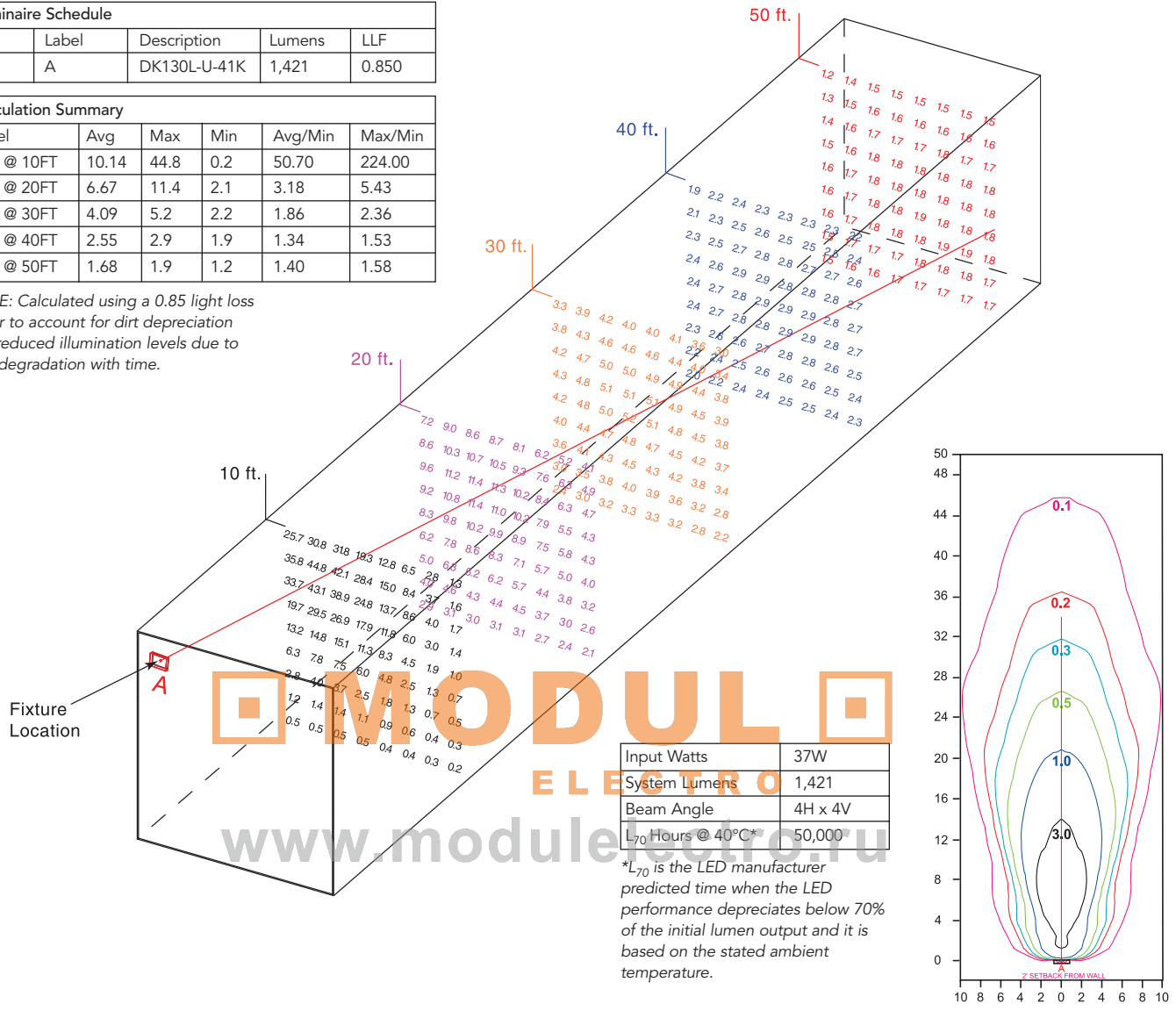
	A	B	C	D
42" Arm	16.75"	25.5"	5"	3"
60" Arm	24.75"	35.25"	17"	5"

PHOTOMETRICS

Luminaire Schedule				
Qty	Label	Description	Lumens	LLF
1	A	DK130L-U-41K	1,421	0.850

Calculation Summary					
Label	Avg	Max	Min	Avg/Min	Max/Min
Vert @ 10FT	10.14	44.8	0.2	50.70	224.00
Vert @ 20FT	6.67	11.4	2.1	3.18	5.43
Vert @ 30FT	4.09	5.2	2.2	1.86	2.36
Vert @ 40FT	2.55	2.9	1.9	1.34	1.53
Vert @ 50FT	1.68	1.9	1.2	1.40	1.58

NOTE: Calculated using a 0.85 light loss factor to account for dirt depreciation and reduced illumination levels due to LED degradation with time.



Input Watts	37W
System Lumens	1,421
Beam Angle	4H x 4V
L70 Hours @ 40°C*	50,000

*L70 is the LED manufacturer predicted time when the LED performance depreciates below 70% of the initial lumen output and it is based on the stated ambient temperature.

ORDERING INSTRUCTIONS - FIXTURE ONLY

Series	Source	Voltage	CCT	Mounting	Finish	Options
DK130	- L	- U	- 41K	- T	- WH	- M
DK130 Damp Location	L LED	U Universal 120-277VAC	41K 4100K	T Trunion	BZ Bronze	M Motion Sensor (not available with DKW130)**
DKW130 Wet Location				A Provision for arm (not available with DKW130)*	BL Black	3SOW Included with all fixtures, 3' cord, 3 conductor 16 AWG (for other lengths replace "3" with length in feet)
					WH White	
					SY Safety Yellow	

*Arm mounting provision is damp location only and includes a special cord and plug to connect to the arm. Arm must be ordered separately. Fixture finish is available as safety yellow only to match arm finish.

**Motion sensor is only available with damp location.

ACCESSORIES (MUST BE ORDERED SEPARATELY)

DKARM42SY	42" Articulated Arm, safety yellow only
DKARM60SY	60" Articulated Arm, safety yellow only



Juno[®]
Recessed and Trac Lighting

indy[™]
Architectural Recessed Lighting

Alfa[™]
Decorative Lighting Systems

AccuLite[™]
Commercial and Industrial Lighting

AcuLux[™]
Precision Recessed Lighting

NaviLite[®]
Exit and Emergency Lighting

DanaLite[®]
Architectural Linear Lighting

MODULO

ELECTRO

www.modulelectro.ru

1300 S. Wolf Road • Des Plaines, IL 60018
PHONE 847.827.9880 • FAX 847.827.2457 • www.junolightinggroup.com

Regional Offices & Warehouses:

California, Georgia, Illinois, Indiana, Pennsylvania, New Jersey, Texas, Ontario CN



Mixed Sources
Product group from well-managed
forests, controlled sources and
recycled wood or fiber
Cert no. SW-COC-002566
www.fsc.org
© 1996 Forest Stewardship Council

LIT-ACCU-DK



Products shown in this brochure are covered by U.S. and
international patents and patents pending.
Specifications subject to change without notice.
© 2010 JUNO LIGHTING, LLC