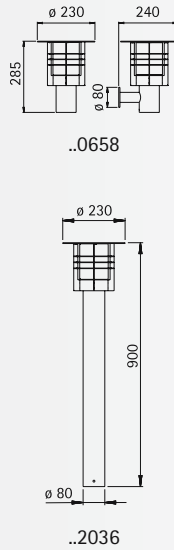


# Bicolour lamps



Bicolour  
lamps

# Bicolour lamps



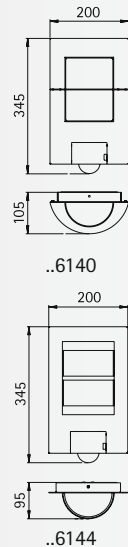
## Wall and Bollard lamp

Protection class IP 44  
for incandescent lamps A 60  
stainless steel with colour: anthracite  
opal coated glass

For installation on a wall,  
on a foundation or  
on the sunk pedestal 690010.

Art.-no.	Lamp	Base	Material/Colour
<b>Wall lamp</b>			
620658	1 x A 60 75 W	E27	st. steel/anthracite
<b>Bollard lamp</b>			
622036	1 x A 60 75 W	E27	st. steel/anthracite

Bicolour lamps

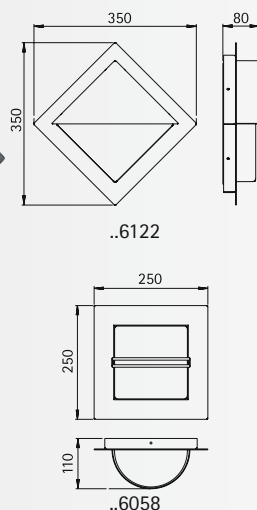
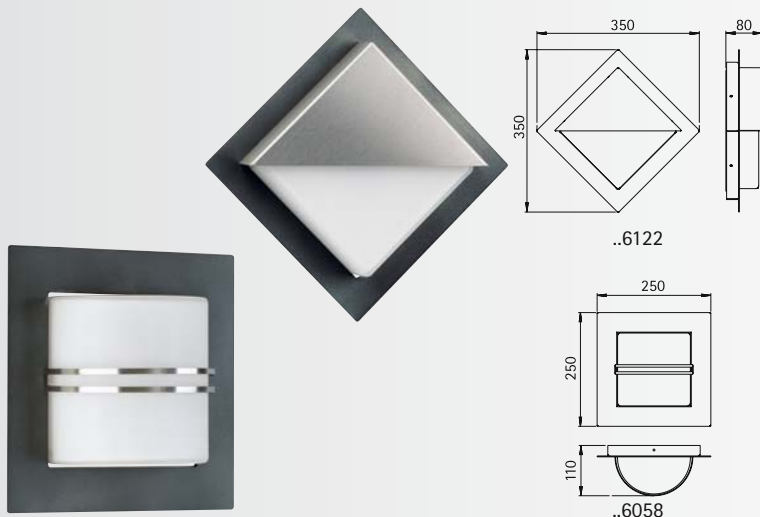


## Wall lamps

with integrated  
movement detector

Protection class IP 44  
for incandescent lamps A 60  
stainless steel with colour: anthracite  
with mounting plate made of cast  
aluminium  
opal coated glass

Art.-no.	Lamp	Base	Material/Colour
626140	1 x A 60 75 W	E27	st. steel /anthracite
626144	1 x A 60 75 W	E27	st. steel /anthracite



## Wall lamps

Protection class IP 44  
for incandescent lamps A 60  
respectively tungsten  
halogen lamps QT-DE 12  
stainless steel with colour: anthracite  
with mounting plate made of cast  
aluminium  
opal coated glass



Art.-no.	Lamp	Base	Material/Colour
<b>for tungsten halogen lamps</b>			
626122	1 x QT-DE 12 60 W	R7s	st. steel/anthracite
<b>for incandescent lamps</b>			
626058	1 x A 60 75 W	E27	st. steel/anthracite

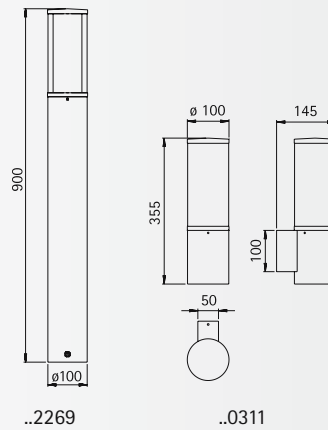


Wall and  
Bollard lamp

Protection class IP 44  
for energy saving lamps TC-DSE  
stainless steel with colour: anthracite  
with mounting plate  
acrylic and opal coated glass

For installation on a wall,  
on a foundation or  
on the sunk pedestal 690010.

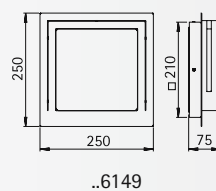
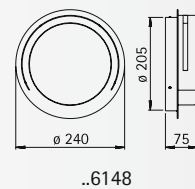
Art.-no.	Lamp	Base	Material/Colour	
Wall lamp				
620311	1 x TC-DSE max. 20 W	E27	st. steel/anthracite	
Bollard lamp				
622269	1 x TC-DSE max. 20 W	E27	st. steel/anthracite	



Bicolour  
lamps

Wall lamps

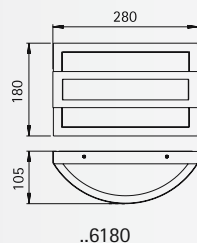
Protection class IP 44  
for tungsten halogen lamps QT-DE 12  
stainless steel with colour: anthracite  
with mounting plate made of cast  
aluminium  
opal coated glass



Art.-no.	Lamp	Base	Material/Colour
626148	1 x QT-DE 12 60 W	R7s	st. steel/anthracite
626149	1 x QT-DE 12 60 W	R7s	st. steel/anthracite



# Bicolour lamps



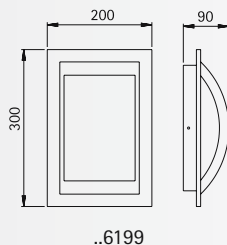
## Wall and Ceiling lamp

Protection class IP 44  
for incandescent lamps A 60  
stainless steel with colour: anthracite  
with mounting plate made of cast  
aluminium  
opal coated glass

Art.-no.	Lamp	Base	Material / Colour
626180	1 x A 60 75 W	E27	st. steel/anthracite



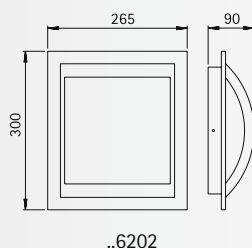
Bicolour lamps



## Wall and Ceiling lamp

Protection class IP 44  
for incandescent lamps A 60  
cast aluminium  
with mounting plate  
opal coated glass

Art.-no.	Lamp	Base	Colour
626199	1 x A 60 75 W	E27	silver/anthracite



## Wall and Ceiling lamp

Protection class IP 44  
for incandescent lamps A 60  
cast aluminium  
with mounting plate  
opal coated glass

Art.-no.	Lamp	Base	Colour
626202	1 x A 60 75 W	E27	silver/anthracite

