

**Beghelli**

Emergency

reverse

**MODUL**  
ELECTRO  
[www.modulelectro.ru](http://www.modulelectro.ru)

# standard encoding of the luminaires

## Lamp type

- 1 - incandescent lamp or reflector lamp
- 2 - tungsten halogen lamp
- 3 - fluorescent lamp
- 4 - compact fluorescent lamp
- 5 - high pressure mercury lamp
- 6 - high pressure sodium lamp
- 7 - metal halide lamp
- 9 - LED

## Number of lamps

- 1 - one lamp luminaire
- 2 - two lamp luminaire
- etc.

## Lamp input

Luminaires with fluorescent lamps

- 18 - 18W lamp
- 36 - 36W lamp
- 58 - 58W lamp
- etc.

Luminaires with incandescent and discharge lamps

- 07 - 70W discharge lamp
- 10 - 100W discharge or incandescent lamp
- 15 - 150W discharge or incandescent lamp
- 25 - 250W discharge lamp
- etc.

## Control gear

- B - parallel compensation, standard ballast
- C - electronic ballast
- D - non-compensated, low loss ballast
- E - parallel compensation, low loss ballast
- R - dimmable analog electronic ballast
- S - dimmable digitally controlled ballast
- T - dimmable digitally controlled ballast - DALI

## Specific variant

For example Serie 03

- 1 - flat endings
- 2 - rounded endings

## Color

- standard color variant by catalog

- 0 - white RAL 9003 (90027)
- 1 - dark grey RAL 7016
- 2 - grey RAL 9007
- 3 - grey RAL 9006
- 4 - black RAL 9005
- 5 - structured metallic gray

## Emergency version

- TR1 - inverter 18-58W, duration 1-2 hours
- TR3 - inverter 18-58W, duration 3 hour

A model code: 03 - 01 3 / 236 / E D + 1 + TR1

- 03-01 luminaire of the type 03 - Orion, separate linear fluorescent lamp
- 3 linear fluorescent lamp
- 236 2x36W
- E parallel compensation, low loss ballast
- D polished christmas tree louvre
- 1 flat endings
- + standard color variant
- TR1 emergency version (inverter - TR)

Serial number of the luminaire (a digit)

Lamp type (a digit)

Number of lamps (a digit)

Lamp input (a digit)

Type of ballast (a letter)











Type of louvre or cover (letters) - see table below

Specific variant (a digit)

Color variant (a digit)

Emergency version (a letter)

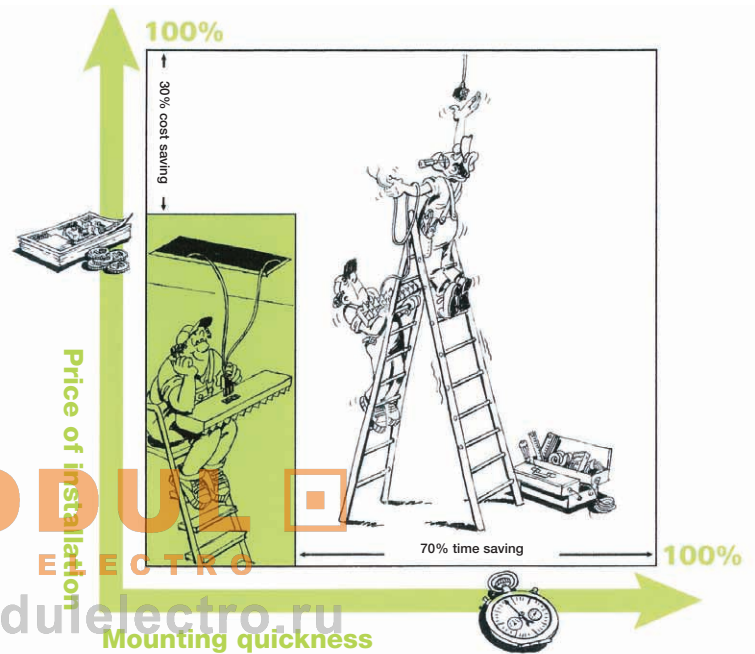
## TYPES OF LOUVRES AND COVERS

 <p>HIGHLY POLISHED PARABOLIC LOUVRE</p> <p>B</p>	 <p>POLISHED CHRISTMAS TREE LOUVRE</p> <p>D</p>	 <p>MATTED PARABOLIC LOUVRE</p> <p>C</p>	 <p>MATTED CHRISTMAS TREE LOUVRE</p> <p>J</p>	 <p>WHITE LOUVRE</p> <p>A</p>
 <p>HIGHLY POLISHED PARABOLIC LOUVRE</p> <p>BL</p>	 <p>POLISHED CHRISTMAS TREE LOUVRE</p> <p>DL</p>	 <p>MATTED PARABOLIC LOUVRE</p> <p>CL</p>	 <p>MATTED CHRISTMAS TREE LOUVRE</p> <p>JL</p>	 <p>PRISMATIC COVER</p> <p>X</p>

## BENEFITS OF THE CONNECTOR SYSTEMS:

- A single connection of the luminaire without the necessity of its disassembly
- Installation is expressively faster through the connectors = cost saving of mounting
- Possibility of installation preparing and testing before mounting
- Lower risk of luminaire damage and pollution
- No more problems with storage and watchkeeping

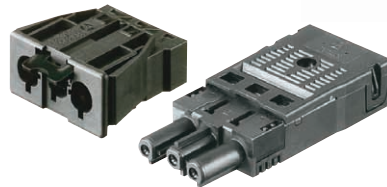
In case of ordering the luminaire including the connector, the luminaire will be automatically supplied with lamps and protective foil.



## Connector installation system Gestis

Encoding for recessed luminaires:

V - 3-poles connector Wieland  
 W - 5-poles connector Wieland  
 xx-Vxx/xxx/xx  
 for example: 30-V23/418/CB



Encoding for industrial luminaires: IP65

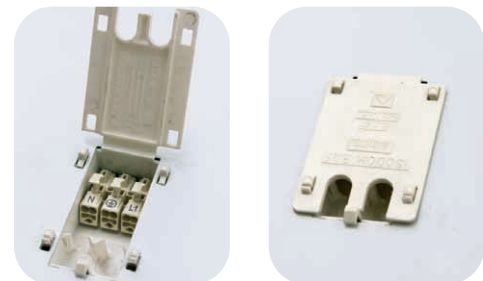
K - 3-poles connector Wieland  
 xx/Kxx/xxx/xx  
 for example: 45-K16/140/B



## Connector installation system Isodom

Encoding for recessed luminaires:

T - 3-poles connector Isodom  
 U - 5-poles connector Isodom  
 xx-Txx/xxx/xx  
 for example: 30-T23/418/CB



## 2002/96/CE WEEE DIRECTIVE

The amount of waste from electrical and electronic equipment is increasing (WEEE) amongst which most light sources have been included (fluorescent lamps not included).

The main purpose of the Directive is to prevent WEEE being thrown onto tips or incinerators causing further damage to the environment.

The 2002/96/CE Directive has tried to introduce a control mechanism that envisions controlled management of the device at the end of its life span, favouring its re-use or recycling. Moreover, the legislative mechanism promotes design and production concepts that make disposal of the products easier both in terms of dismantling and of materials.

In the case of bulbs, the financing of the activities connected to the collection, management and recycling of WEEE at the end of their life span is guaranteed by a visible fee applied at the moment of sale.

All of the commercial chain is asked to contribute both economically and actively so that the spirit of the Directive is respected (and the environment protected).

## MAIN OBLIGATIONS ENVISIONED


The manufacturer (intended broadly and however substantially whoever places his own brand name on the goods and whoever imports from non-member countries) is responsible for the costs of disposal of their own products at the end of their life span.

The point of sale must receive the product at the end of its life span if the same is replaced with a new one of the same type.

The customer is asked to handle the product at the end of its life span with intelligence taking it to an equipped area, a point of sale or by following instructions provided by the manufacturer.











Beghelli has always been sensitive to environmental problems and is member of the ECOLIGHT consortium to which it gives the whole sum of the visible fee collected. Choosing products of companies that belong to voluntary consortiums for the recovery and recycling of the goods is a responsible choice and ecologically correct in favour of the environment and our future.

The products that fall within the field of application of the WEEE Directive are identified by the symbol indicated at the side (a version without the bar also exists).

  
**MODULO**  
ELECTRO  
[www.modulelectro.ru](http://www.modulelectro.ru)

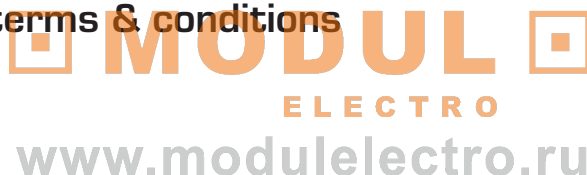


## SYMBOLS AND TYPE - APPROVAL

	protection against electric shock rate I.		Certificate ENEC 21 (EZÚ Prague). Certificate ENEC 03 (IMQ Italy).
	Class II insulation fixtures Fixture without this symbol must be considered class I		Fixtures suitable for installation on normally flammable surfaces.
	cut off angle $\gamma = 60^\circ$ , luminance $\leq 200$ cd.m <sup>2</sup>		Certificate EMC (EZÚ Prague).
	emergency luminaires		Appliances conform to CE Directives.
	diameter of a mounting hole in a plaster ceiling.		Luminaire with this symbol EASY SET will be supplied by request with lamps, protective foil and connector.

# Content

List of lighting products	6
Ceiling and suspended luminaires	10
Recessed luminaires	58
Decorative luminaires	84
Downlights	96
Industrial luminaires	110
Streetlights & Floodlights	130
Index and Business terms & conditions	140



This catalog of technical lighting substitutes previous version of General catalog.

# List of products

## Ceiling and suspended luminaires



## Recessed luminaires



Taurus 17-03 60



Virgo 30-02 61



Virgo 30-03 62



Virgo 30-05 63



Stella 31-02 65



Stella 31-04 66



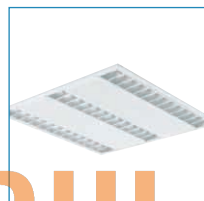
Stella 31-06 67



**New** Lyra 29-023 69



Lyra 32-02 70



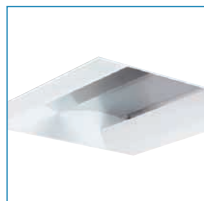
Lyra 32-06 71



Carella 34-00 72



Carella 34-02 73



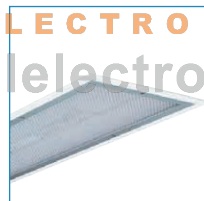
Carella 34-03 74



Carella 34-06 75



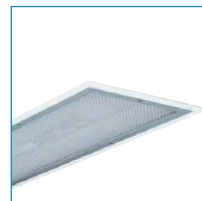
Aries 35-02 76



Aries 35-03 77



Arietis 36-02 78



Arietis 36-03 79



Arietis 36-04 80



Arietis 36-05 80



Toscano 37-01 81



Ronos 69-00 82

**MODUL**  
**ELECTRO**  
www.modulelectro.ru

# List of products

## Decorative luminaires



Castelo 66-05 86



Castelo 66-07 87



Castelo 66-08 88



Granit 55-012 89



Sabik 72-00 90



Sorento 72-01 91



Korona 72-02 92



Lotus 72-94 93



Tageta 78-00 94



Tania 78-01 95

## Downlights



Dorado 82-00 98



Dorado 82-01 99



Dorado 82-02 100



Dorado 82-03 101



Dorado 82-04 102



Dorado 82-95 104



Crater 33-49 105



Apus 77-00 106



Apus 77-03 107



BS 33-FL 108



BS 33-SC 109



## Industrial luminaires



**New**  
Acciaio 112



**New**  
Leader BS 101 114



Leader BS 103 3G 115



**New**  
Leader BS 111 116



**New**  
Leader BS 113 117



Leader 21-01, 21-04 118



BS100, BS110 119



Tors 23-01 120



Castor 25-05 121



Lumino 26-91 122



Leo 40-01 123



Aterix 43-05 124



Aterix 43-09 125



Leone 45-00 126



Leone 45-01 127



Leone 45-02 128



BS 736 salvaspazio 129

## Streetlights & floodlights



Tereza 50-01 132



Santo 0146 134



Santo 0147 135



Krono 5611-261 136



Euro 5611-270 137



Marco 5611-280 138

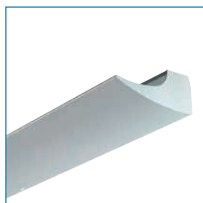


**MODUL**

**Ceiling and suspended luminaires**

[www.modulelectro.ru](http://www.modulelectro.ru)





Tilia 02-01 12



Orion 03-01 14



Mira 04-01 17



Sirius 05-00 18



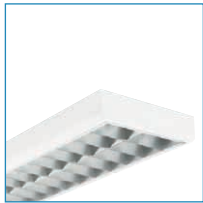
Sirius 05-01 19



Cubus 07-04 21



Canes 09-01 22



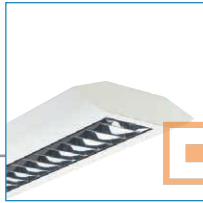
Gemma 11-01 24



Gemini 12-01 29



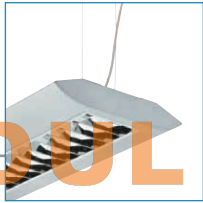
Pavo 13-01 32



Avior 15-01 36



Avior 15-04 39



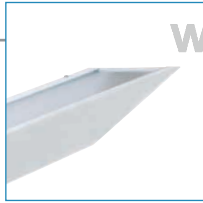
Avior 15-05 40



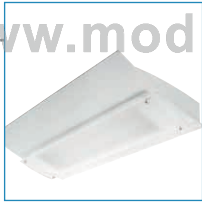
Taurus 17-01 41



Vela 18-01 42



Vela 18-03 43



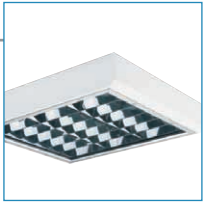
Scarab 19-01 44



Scarab 19-03 44



Arietis 36-06 45



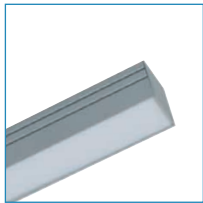
Arietis 36-07 46



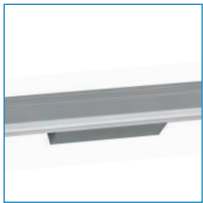
Stratus 81-03 47



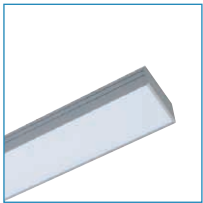
Stratus 81-91 48



Sagita 89-00 49



Sagita 89-01 50



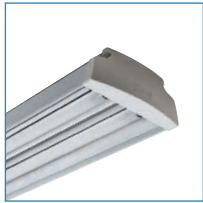
Pictor 67-00 51



Paleo 76-01 52



Paleo 76-05 53



BS1000 salvaspazio 54



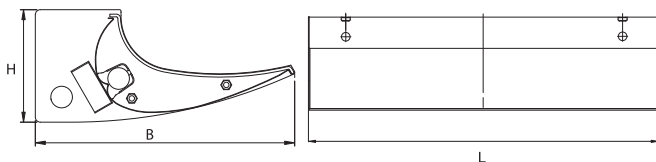
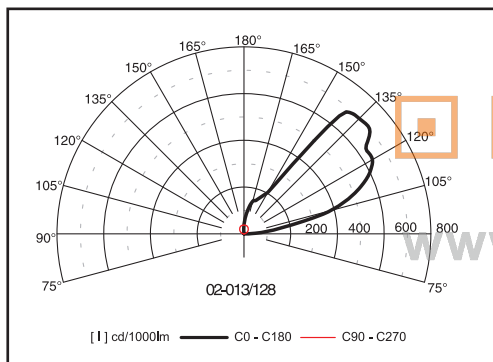
Topaz 54-00, 54-01 56

Beghelli

MODULO

www.modulelectro.ru

# tilia | 02-01, 02-02



Code	Power	Lamp	Cap	LxBxH (mm)	Kg
02-013/114/C	1x14W	T5 lamp	G5	573x193x85	3,1
02-013/128/C	1x28W	T5 lamp	G5	1173x193x85	3,6
02-013/135/C	1x35W	T5 lamp	G5	1473x193x85	3,8
02-023/114/C	1x14W	T5 lamp	G5	573x193x85	3,1
02-023/128/C	1x28W	T5 lamp	G5	1173x193x85	3,6
02-023/135/C	1x35W	T5 lamp	G5	1473x193x85	3,8

Luminaires with 24W, 49W, 54W or 80W T5 lamps by request.

## Wall and suspended luminaires – indirect



### Material

- body: a steel sheet finished by powder technology varnishing
- color: white RAL 9003
- reflector: highly polished aluminium reflector
- diffuser: clear PMMA

Degree of protection: IP 20

Rated voltage: 230V/50Hz

Control gear: electronic ballast

Mounting: on wall brackets or on tube pendants

02-01 – separately (the endings are supplied with luminaire)

02-02 – fit to in-line coupling

Accessories: (must be ordered separately)

endings: 99-135 ending and holder of pendant (02-02)

prismatic cover: 14W - 99-275, 28W - 99-276, 35W - 99-277

Brackets:

W	length (mm)	wall bracket	back cover
14	600	99-551	99-554
28	1200	99-552	99-555
35	1500	99-553	99-556

Tube pendants:

length (mm)	without a cable	with a cable 3x1,5 mm <sup>2</sup>	with a cable 5x1,5 mm <sup>2</sup>
400	99-047/040	99-048/040	99-049/040
600	99-047/060	99-048/060	99-049/060

Application: decorative illumination of offices, restaurants, hotels

## Suspended luminaires – indirect



Detail of the luminaire with prismatic cover



### Material

- body: a steel sheet finished by powder technology varnishing
- color: white RAL 9003
- reflector: highly polished aluminium reflector
- diffuser: clear PMMA

Degree of protection: IP 20

Rated voltage: 230V/50Hz

Control gear: electronic ballast

Mounting: on wire or tube pendants

02-03 – separately (the endings are supplied with luminaire)

02-04 – fit to in-line coupling

Accessories: (must be ordered separately)

endings: 99-136 ending and holder of pendant - one piece (02-04)

prismatic cover (1 pc): 14W - 99-275, 28W - 99-276, 35W - 99-277.

Two pieces for luminaire needed.

Wire pendants:

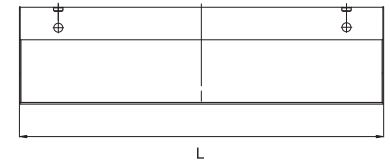
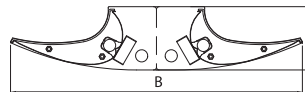
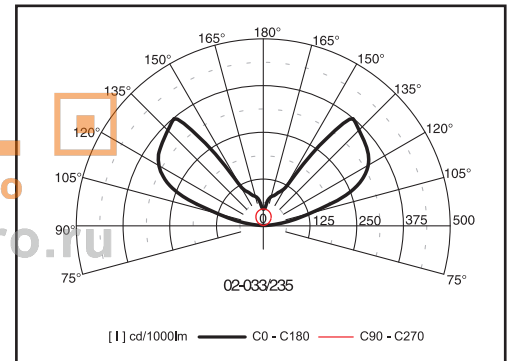
length (mm)	without a cable	with a cable 3x1,5 mm <sup>2</sup>	with a cable 5x1,5 mm <sup>2</sup>
600	99-077/060	99-078/060	99-079/060

Tube pendants:

length (mm)	without a cable	with a cable 3x1,5 mm <sup>2</sup>	with a cable 5x1,5 mm <sup>2</sup>
400	99-047/040	99-048/040	99-049/040
600	99-047/060	99-048/060	99-049/060

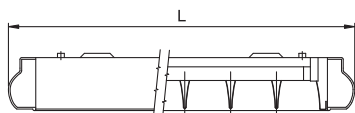
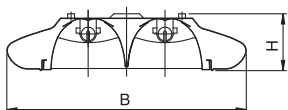
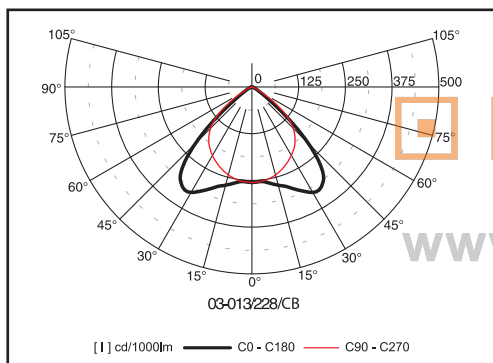
Application: decorative illumination of offices, restaurants, hotels

**MODUL**  
ELECTRO  
www.modulelectro.ru

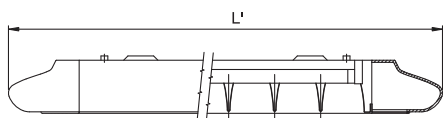


Code	Power	Lamp	Cap	LxBxH (mm)	Kg
02-033/214/C	2x14W	T5 lamp	G5	573x385x85	6,8
02-033/228/C	2x28W	T5 lamp	G5	1173x385x85	7,2
02-033/235/C	2x35W	T5 lamp	G5	1473x385x85	7,6
02-043/214/C	2x14W	T5 lamp	G5	573x385x85	6,8
02-043/228/C	2x28W	T5 lamp	G5	1173x385x85	7,2
02-043/235/C	2x35W	T5 lamp	G5	1473x385x85	7,6

Luminaires with 24W, 49W, 54W or 80W T5 lamps by request.



L - length with flat endings



L' - length with rounded endings

### Material:

- body: steel sheet finished by powder technology varnishing
- color: white RAL 9003
- louvre: highly polished or matted louvre made of pure aluminium (luminaires with T5 lamps have the louvre made of MIRO aluminium), polished or matted christmas tree louvre

Degree of protection: IP 20

Rated voltage: 230V/50Hz

Control gear: low loss ballast or electronic ballast, dimmable ballast by request, the luminaires are offered also in emergency version

Mounting: separate mounting on a ceiling or on wire pendants

Accessories: (must be ordered separately)

99-087/120 - wire pendant without power cable (120 cm)

99-088/120 - wire pendant with 3x1,5 mm<sup>2</sup> power cable (120 cm)

99-089/120 - wire pendant with 5x1,5 mm<sup>2</sup> power cable (120 cm)

Application: reception desk, corridors, shops, restaurants, offices, computer labs

Code	Power	Louvre	Lamp	Cap	L/L'xBxH (mm)	Kg
03-013/218/ <sup>1</sup> <sub>2</sub> + <sup>4</sup>	2x18W	B, C, D, J	T8 lamp	G13	704/794x280x66	4,5
03-013/236/ <sup>1</sup> <sub>2</sub> + <sup>4</sup>	2x36W	B, C, D, J	T8 lamp	G13	1314/1404x280x66	8,4
03-013/258/ <sup>1</sup> <sub>2</sub> + <sup>4</sup>	2x58W	B, C, D, J	T8 lamp	G13	1614/1704x280x66	10,3
03-013/214/C <sup>2</sup> + <sup>4</sup>	2x14W	B, C	T5 lamp	G5	664/754x280x66	4,3
03-013/228/C <sup>2</sup> + <sup>4</sup>	2x28W	B, C	T5 lamp	G5	1268/1358x280x66	8,0
03-013/235/C <sup>2</sup> + <sup>4</sup>	2x35W	B, C	T5 lamp	G5	1564/1654x280x66	10,0

Luminaires with 24W, 49W, 54W or 80W T5 lamps by request.

<sup>1</sup> - E (low loss ballast - parallel compensation)  
- C (electronic ballast)

<sup>4</sup> - 1 (flat endings) - 2 (round endings)

<sup>2</sup> - B (highly polished parabolic louvre 60°)

- C (matted parabolic louvre 60°)

- D (polished christmas tree louvre - for T8 lamps only)

- J (matted christmas tree louvre - for T8 lamps only)



Accessories: (must be ordered separately)

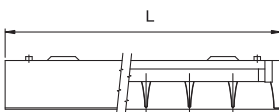
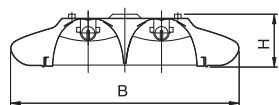
flat ending 99-130 (1 pc)

round ending 99-131 (1 pc)

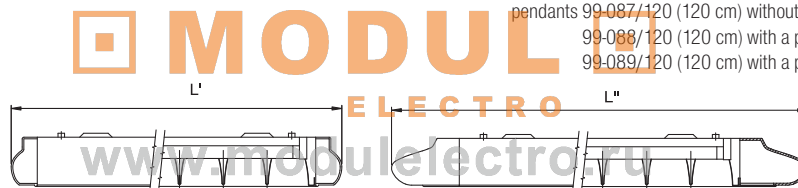
pendants 99-087/120 (120 cm) without a power supply cable

99-088/120 (120 cm) with a power supply cable 3x0,75 mm<sup>2</sup>

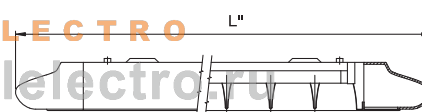
99-089/120 (120 cm) with a power supply cable 5x1,5 mm<sup>2</sup>



L - length without endings



L' - length with flat endings



L'' - length with rounded endings

**MODULO**  
**ELECTRO**  
www.modulelectro.ru

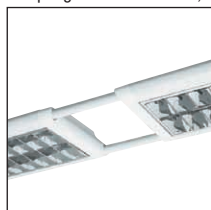
Code	Power	Louvre	Lamp	Cap	L	L'	L''	B	H	Kg
03-023/218/ <u>1</u> <u>2</u>	2x18W	B, C, D, J	T8 lamp	G13	630	704	794	280	66	4,3
03-023/236/ <u>1</u> <u>2</u>	2x36W	B, C, D, J	T8 lamp	G13	1240	1314	1404	280	66	8,1
03-023/258/ <u>1</u> <u>2</u>	2x58W	B, C, D, J	T8 lamp	G13	1540	1614	1704	280	66	10,1
03-023/214/ <u>C</u> <u>2</u>	2x14W	B, C	T5 lamp	G5	590	664	754	280	66	4,2
03-023/228/ <u>C</u> <u>2</u>	2x28W	B, C	T5 lamp	G5	1194	1268	1358	280	66	7,9
03-023/235/ <u>C</u> <u>2</u>	2x35W	B, C	T5 lamp	G5	1490	1564	1654	280	66	9,9

Luminaires with 24W, 49W, 54W or 80W T5 lamps by request.

1 - E (low loss ballast) - C (electronic ballast)

2 - B (highly polished parabolic louvre, 60°) - D (polished Christmas tree louvre - for T8 lamps only)  
- C (matted parabolic louvre, 60°) - J (matted Christmas tree louvre - for T8 lamps only)

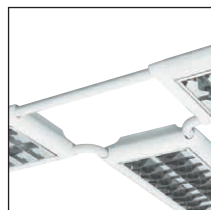
Couplings of series 03-02, 03-03



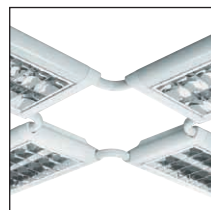
99-490



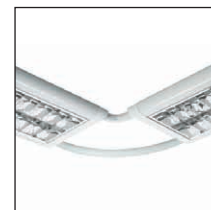
99-491



99-492

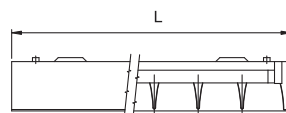
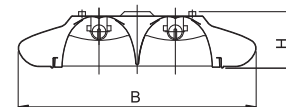
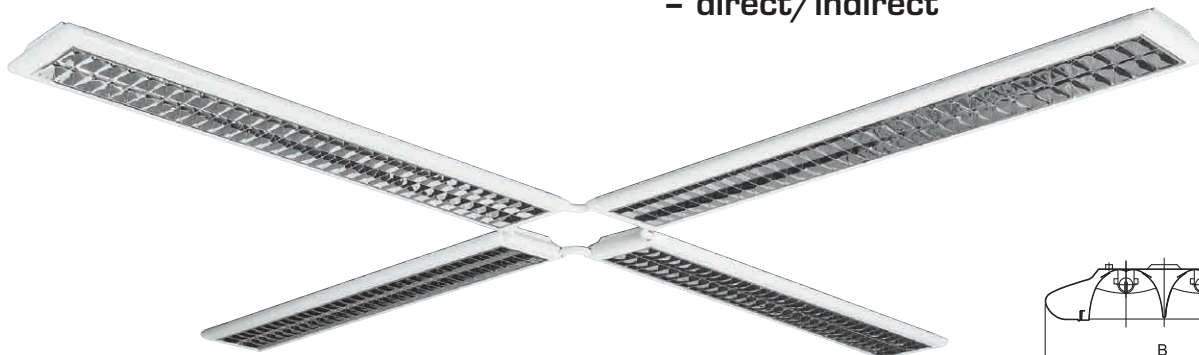


99-493

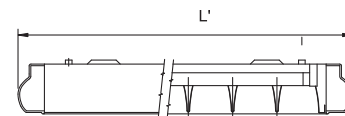


99-494

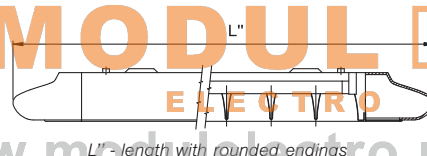
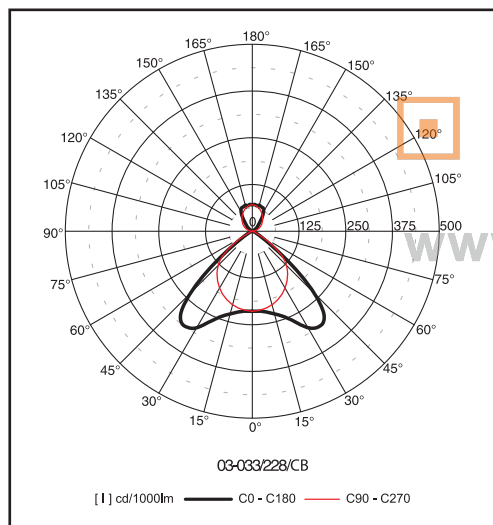
## Suspended lighting systems - direct/indirect



L - length without endings



L' - length with flat endings



L'' - length with rounded endings

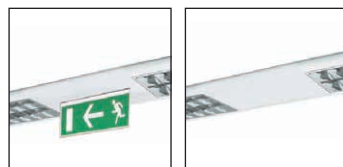
### Accessories: (must be ordered separately)

- flat ending 99-130 (1 pc)
- round ending 99-131 (1 pc)
- pendants
- 99-087/120 (120 cm) without a power supply cable
- 99-088/120 (120 cm) with a power supply cable 3x0,75 mm<sup>2</sup>
- 99-089/120 (120 cm) with a power supply cable 5x1,5 mm<sup>2</sup>

### Interconnecting modules

Code	Description	LxBxH	Kg
03-000/218	Plain module	630x280x66	3,3
03-000/236	Plain module	1240x280x66	6,9
03-000/258	Plain module	1540x280x66	8,9
03-100/218	Sign module	630x280x66	3,3
03-003/218	Luminous sign module	630x280x66	3,3
03-103/218	Lumin. emerg. mod. with an inverter	630x280x66	3,5

If requested, plain modules with emergency version



Emergency module

Plain module

Code	Power	Louvre	Lamp	Cap	L	L'	L''	B	H	Kg
03-033/218/ <u>1</u> <u>2</u>	2x18W	B, C, D, J	T8 lamp	G13	630	704	794	280	66	4,3
03-033/236/ <u>1</u> <u>2</u>	2x36W	B, C, D, J	T8 lamp	G13	1240	1314	1404	280	66	8,1
03-033/258/ <u>1</u> <u>2</u>	2x58W	B, C, D, J	T8 lamp	G13	1540	1614	1704	280	66	10,1
03-033/214/ <u>C</u> <u>2</u>	2x14W	B, C	T5 lamp	G5	590	664	754	280	66	4,2
03-033/228/ <u>C</u> <u>2</u>	2x28W	B, C	T5 lamp	G5	1194	1268	1358	280	66	7,9
03-033/235/ <u>C</u> <u>2</u>	2x35W	B, C	T5 lamp	G5	1490	1564	1654	280	66	9,9

Luminaires with 24W, 49W, 54W or 80W T5 lamps by request.

1 - E (low loss ballast) - C (electronic ballast)

2 - B (highly polished parabolic louvre, 60°)

- C (matted parabolic louvre, 60°)

- D (polished Christmas tree louvre - for T8 lamps only)

- J (matted Christmas tree louvre - for T8 lamps only)



## Suspended luminaires with fluorescent lamps



## Material:

- body: a steel sheet finished by powder technology varnishing
- color: dark grey RAL 7016
- louvre: highly polished or matted parabolic louvre made of a MIRO pure aluminium sheet
- covers: - opaline  
- perforated

Degree of protection: IP 20

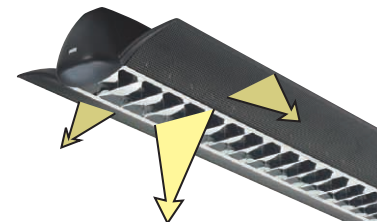
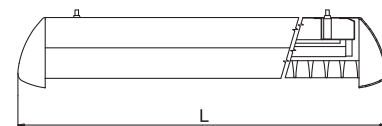
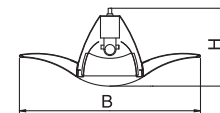
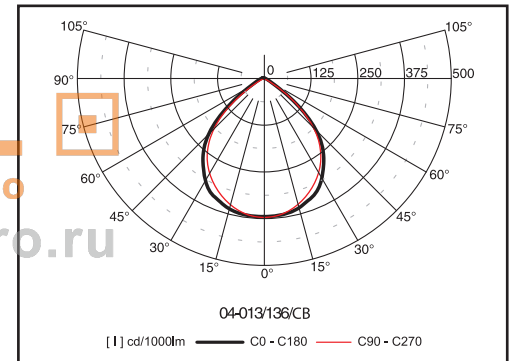
Rated voltage: 230V/50Hz

Control gear: low loss ballast and electronic ballast, dimmable ballast by request with lamps over 28W

Mounting: wire pendant (120 cm) is component of the luminaire

Application: reception desks, corridors, shops and boutiques, restaurants, counters, computer labs, representative office, public areas

MODUL  
ELECTRO  
www.modulelectro.ru

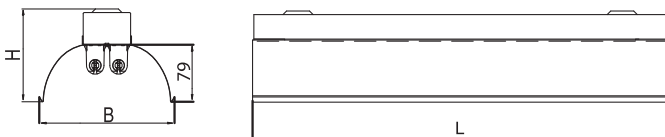
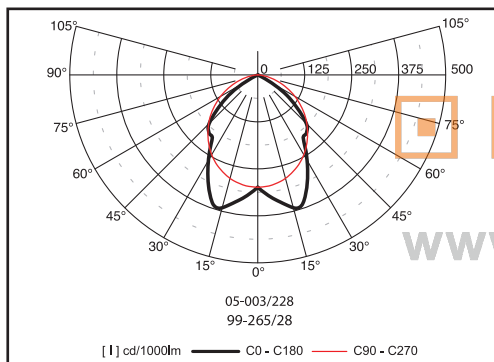


Code	Power	Louvre	Lamp	Cap	LxBxH (mm)	Kg
04-013/118/1 2	1x18W	B, C, P, Z	T8 lamp	G13	724x287x123	4,0
04-013/136/1 2	1x36W	B, C, P, Z	T8 lamp	G13	1334x287x123	7,5
04-013/158/1 2	1x58W	B, C, P, Z	T8 lamp	G13	1634x287x123	9,1
04-013/114/C 2	1x14W	B, C, P, Z	T5 lamp	G5	684x287x123	3,8
04-013/128/C 2	1x28W	B, C, P, Z	T5 lamp	G5	1288x287x123	7,2
04-013/135/C 2	1x35W	B, C, P, Z	T5 lamp	G5	1584x287x123	8,9

Luminaires with 24W, 49W, 54W or 80W T5 lamps by request.

- 1 - E (low loss ballast)  
- C (electronic ballast)
- 2 - B (highly polished parabolic louvre)  
- C (matted parabolic louvre)  
- P (perforated cover)  
- Z (opaline cover)

# sirius | 05-00

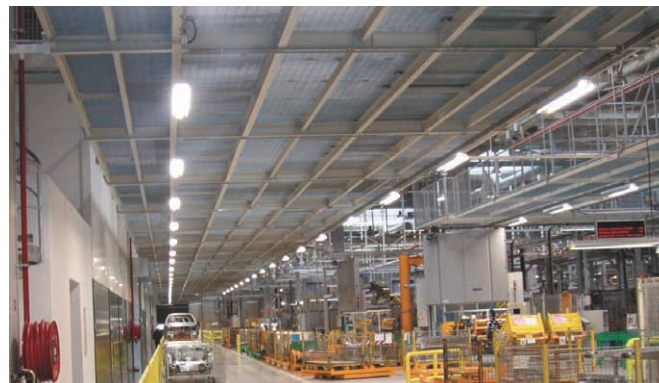


Code	Power	Lamp	Cap	LxBxH (mm)	Kg
05-003/136/□	1x36W	T8 lamp	G13	1265x188x124	3,3
05-003/158/□	1x58W	T8 lamp	G13	1565x188x124	4,3
05-003/236/□	2x36W	T8 lamp	G13	1265x188x124	3,8
05-003/258/□	2x58W	T8 lamp	G13	1565x188x124	4,8
05-003/128/C	1x28W	T5 lamp	G5	1215x188x124	3,3
05-003/135/C	1x35W	T5 lamp	G5	1515x188x124	4,2
05-003/228/C	2x28W	T5 lamp	G5	1215x188x124	3,8
05-003/235/C	2x35W	T5 lamp	G5	1515x188x124	4,7

Luminaires with 49W, 54W or 80W T5 lamps by request.

□ - E (low loss ballast, parallel compensation) - C (electronic ballast)

## Ceiling and suspended luminaires with fluorescent lamps – separate



### Material:

- body: steel sheet finished by powder technology varnishing
- color: grey RAL 9006
- reflector: white steel reflector, aluminium polished and faceted reflector, narrowbeam

Degree of protection: IP 20

Rated voltage: 230V/50Hz

Control gear: low loss ballast and electronic ballast, dimmable ballast by request; the luminaires are offered also in emergency version

Mounting: on a ceiling or on wire pendants

Accessories: (must be ordered separately)

wire pendant 99-096/120 – a set

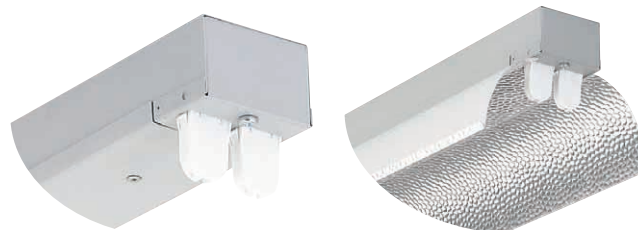
reflectors

Application: halls, warehouses, shopping areas

Available reflectors

(for one and two lamp luminaires)

Luminaire	white steel	polished Al	faceted Al
28W	99-264/28	99-265/28	99-267/28
35W	99-264/35	99-265/35	99-267/35
36W	99-264/36	99-265/36	99-267/36
58W	99-264/58	99-265/58	99-267/58



## Ceiling and suspended luminaires with fluorescent lamps



### Material:

- body: a steel sheet finished by powder technology varnishing
- color: grey RAL 9006
- louvre: highly polished or matted parabolic louvre made of a pure aluminium sheet

Degree of protection: IP 20

Rated voltage: 230V/50Hz

Control gear: low loss ballast and electronic ballast, dimmable ballast by request; the luminaires are offered also in emergency version

Mounting: on a ceiling or on wire pendants

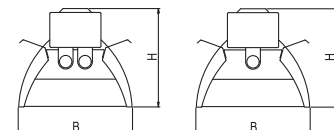
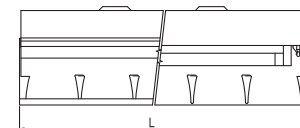
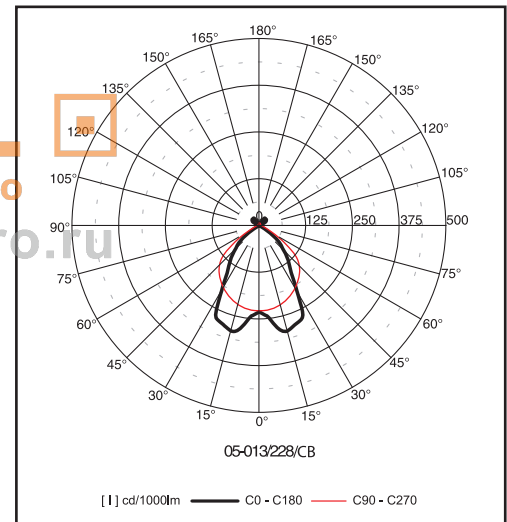
Accessories: (must be ordered separately)

wire pendant 99-096/120 - a set

Application: reception desks, corridors, shops and boutiques, restaurants, counters, computer labs, representative office, public areas

**MODULO**  
**ELECTRO**

www.modulelectro.ru

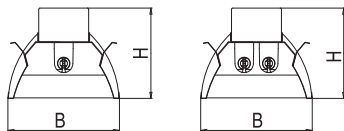
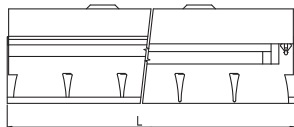
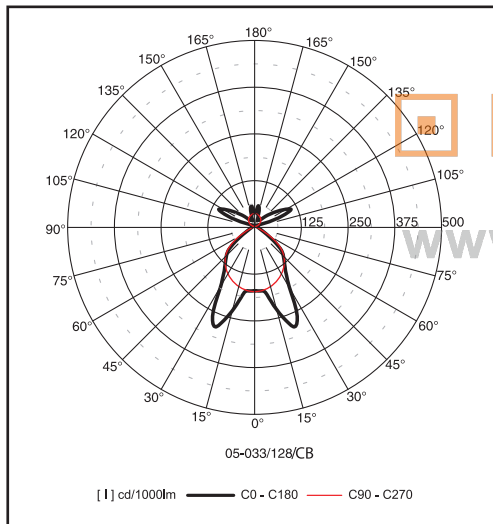


Code	Power	Louvre	Lamp	Cap	LxBxH (mm)	Kg
05-013/136/1 2	1x36W	B, C	T8 lamp	G13	1265x147x127	3,3
05-013/158/1 2	1x58W	B, C	T8 lamp	G13	1565x147x127	4,3
05-013/236/1 2	2x36W	B, C	T8 lamp	G13	1265x147x127	3,8
05-013/258/1 2	2x58W	B, C	T8 lamp	G13	1565x147x127	4,8
05-013/128/C 2	1x28W	B, C	T5 lamp	G5	1215x147x127	3,3
05-013/135/C 2	1x35W	B, C	T5 lamp	G5	1515x147x127	4,2
05-013/228/C 2	2x28W	B, C	T5 lamp	G5	1215x147x127	3,8
05-013/235/C 2	2x35W	B, C	T5 lamp	G5	1515x147x127	4,7

Luminaires with 49W, 54W or 80W T5 lamps by request.

1 - E (low loss ballast), - C (electronic ballast)

2 - B (highly polished parabolic louvre, 60°), - C (matted parabolic louvre, 60°)



## Ceiling and suspended luminaires with fluorescent lamps - direct/indirect



### Material:

- body: a steel sheet finished by powder technology varnishing
- color: grey RAL 9006
- louvre: highly polished or matted parabolic louvre made of a pure aluminium sheet

Degree of protection: IP 20

Rated voltage: 230V/50Hz

Control gear: electronic ballast, dimmable ballast by request; the luminaires are offered also in emergency version

Mounting: on a ceiling or on wire pendants

Accessories: (must be ordered separately)

wire pendant 99-096/120 - a set

Application: reception desks, corridors, shops and boutiques, restaurants, counters, computer labs, representative office, public areas

Code	Power	Louvre	Lamp	Cap	LxBxH (mm)	Kg
05-033/128/C <sup>2</sup>	1x28W	B, C	T5 lamp	G5	1215x147x127	3,3
05-033/135/C <sup>2</sup>	1x35W	B, C	T5 lamp	G5	1515x147x127	4,2
05-033/228/C <sup>2</sup>	2x28W	B, C	T5 lamp	G5	1215x147x127	3,8
05-033/235/C <sup>2</sup>	2x35W	B, C	T5 lamp	G5	1515x147x127	4,7

Luminaires with 49W, 54W or 80W T5 lamps by request.

<sup>2</sup> - B (highly polished parabolic louvre, 60°)

- C (matted parabolic louvre, 60°)

## Suspended luminaires - T5 fluorescent lamps

07-05 | cubus



### Material:

- body: a steel sheet finishing by powder technology varnishing
- color: grey RAL 9006
- louvre: highly polished parabolic louvre or matted parabolic louvre

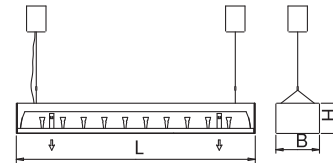
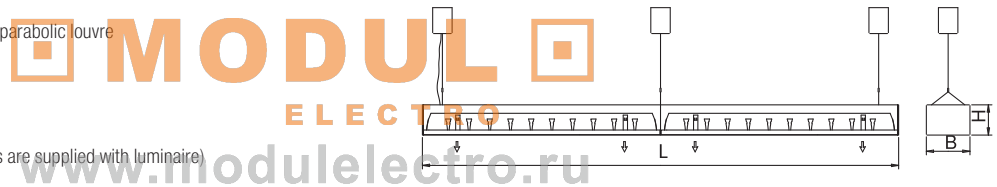
Degree of protection: IP 20

Rated voltage: 230V/50Hz

Control gear: electronic ballast

Mounting: suspended mounting (wire pendants are supplied with luminaire)

Application: offices, banks, shops

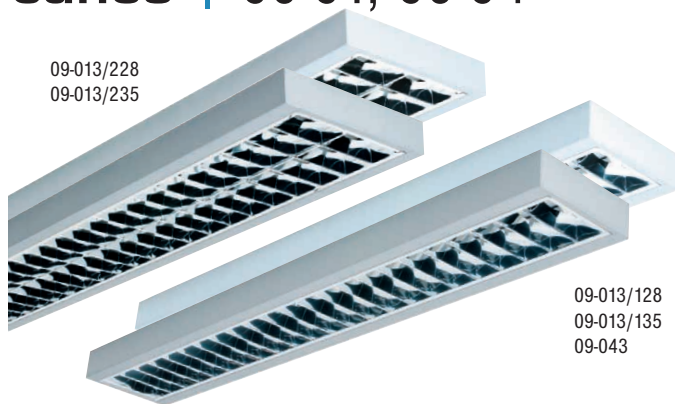


Code	Power	Lamp	Cap	LxBxH (mm)	Kg
07-053/128/C <sup>2</sup>	1x28W	T5 lamp	G5	1180x94x70	4,5
07-053/135/C <sup>2</sup>	1x35W	T5 lamp	G5	1480x94x70	5,0
07-053/149/C <sup>2</sup>	1x49W	T5 lamp	G5	1480x94x70	5,1
07-053/154/C <sup>2</sup>	1x54W	T5 lamp	G5	1180x94x70	4,6
07-053/180/C <sup>2</sup>	1x80W	T5 lamp	G5	1480x94x70	5,0
07-053/228/C <sup>2</sup>	2x28W	T5 lamp	G5	2360x94x70	9,0
07-053/235/C <sup>2</sup>	2x35W	T5 lamp	G5	2960x94x70	10,0
07-053/249/C <sup>2</sup>	2x49W	T5 lamp	G5	2960x94x70	10,2
07-053/254/C <sup>2</sup>	2x54W	T5 lamp	G5	2360x94x70	9,2
07-053/280/C <sup>2</sup>	2x80W	T5 lamp	G5	2960x94x70	10,0

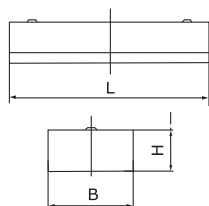
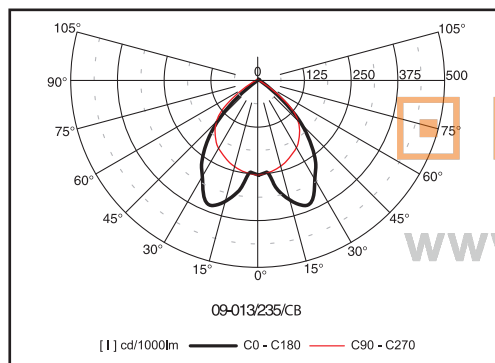
<sup>2</sup> - B (highly polished parabolic louvre, 60°)  
 - C (matted parabolic louvre, 60°)

# canes | 09-01, 09-04

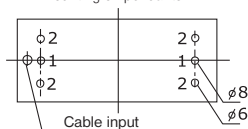
09-013/228  
09-013/235



09-013/128  
09-013/135  
09-043



Mounting holes:  
1 - ceiling mounting  
2 - mounting on pendants



Code	Power	Louvre	Lamp	Cap	LxBxH (mm)	Kg
09-013/128/C	1x28W	B,C,D,J	T5 lamp	G5	1193x195x60	3,5
09-013/135/C	1x35W	B,C,D,J	T5 lamp	G5	1493x195x60	4,2
09-013/228/C	2x28W	B,C,D,J	T5 lamp	G5	1193x266x60	4,3
09-013/235/C	2x35W	B,C,D,J	T5 lamp	G5	1493x266x60	5,5
09-043/228/C	2x28W	B,C,D,J	T5 lamp	G5	1193x195x60	3,7
09-043/235/C	2x35W	B,C,D,J	T5 lamp	G5	1493x195x60	4,4

Luminaires with 49W, 54W or 80W T5 lamps by request.

- B (highly polished parabolic louvre, 60°)
- C (matted parabolic louvre, 60°)
- D (polished christmas tree louvre) - J (matted christmas tree louvre)

## Ceiling and suspended luminaires - T5 fluorescent lamps - direct



### Material:

- body: steel sheet finished by powder technology varnishing
- color: white RAL 9003
- louvre: highly polished or matted parabolic louvre-Miro, polished or matted Christmas tree louvre

Degree of protection: IP 20

Rated voltage: 230V/50Hz

Control gear: electronic ballast, dimmable ballast by request; the luminaires are offered also in emergency version

Mounting: separate mounting on a ceiling or pendants

Accessories: wire and tube pendants (must be ordered separately)

Application: offices, corridors and stairways, shops, lecture halls

### Pendants for one lamp luminaires 09-01 and two lamp luminaires 09-04

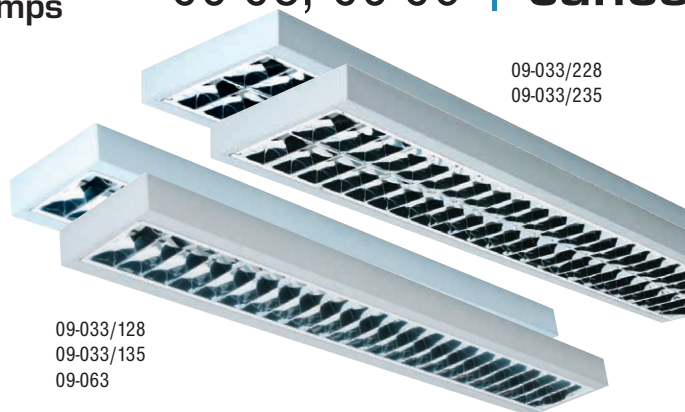
length (mm)	without a cable	with a cable 3x1,5mm <sup>2</sup>
1200 (wires)	99-080/120	99-081/120
400 (tubes)	99-090/040	99-091/040
600 (tubes)	99-090/060	99-091/060
900 (tubes)	99-090/090	99-091/090
1200 (tubes)	99-090/120	99-091/120

### Pendants for two lamp luminaires 09-01

length (mm)	without a cable	with a cable 3x1,5mm <sup>2</sup>
1200 (wires)	99-083/120	99-084/120
400 (tubes)	99-093/040	99-094/040
600 (tubes)	99-093/060	99-094/060
900 (tubes)	99-093/090	99-094/090
1200 (tubes)	99-093/120	99-094/120

## Suspended luminaires - T5 fluorescent lamps - direct/indirect

09-03, 09-06 | canes



09-033/228  
09-033/235

09-033/128  
09-033/135  
09-063



### Material:

- body: a steel sheet finished by powder technology varnishing
- color: white RAL 9003
- louvre: highly polished or matted parabolic louvre - Miro, polished or matted christmas tree louvre

Degree of protection: IP 20

Rated voltage: 230V/50Hz

Control gear: electronic ballast, dimmable ballast by request; the luminaires are offered also in emergency version

Mounting: separate mounting on pendants

Accessories: wire and tube pendants  
(must be ordered separately)

Application: office, corridors and stairways, shops, lecture halls

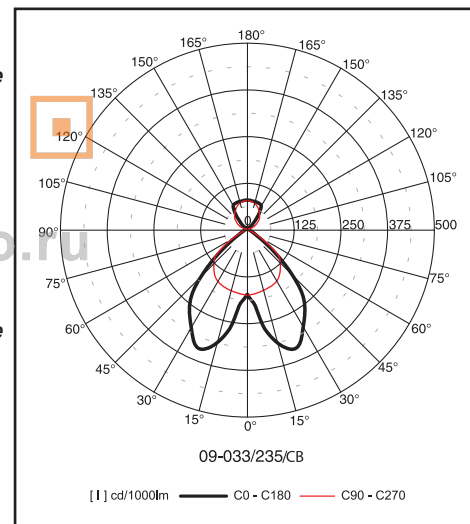
### pendants for one lamp luminaires 09-03

#### and two lamp luminaires 09-06

length (mm)	without a cable	with a cable 3x1,5mm <sup>2</sup>
1200 (wires)	99-080/120	99-081/120
400 (tubes)	99-090/040	99-091/040
600 (tubes)	99-090/060	99-091/060
900 (tubes)	99-090/090	99-091/090
1200 (tubes)	99-090/120	99-091/120

### pendants for two lamp luminaires 09-03

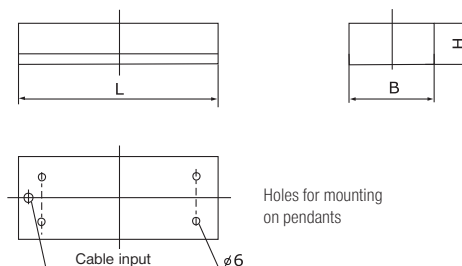
length (mm)	without a cable	with a cable 3x1,5mm <sup>2</sup>
1200 (wires)	99-083/120	99-084/120
400 (tubes)	99-093/040	99-094/040
600 (tubes)	99-093/060	99-094/060
900 (tubes)	99-093/090	99-094/090
1200 (tubes)	99-093/120	99-094/120



Code	Power	Louvre	Lamp	Cap	LxBxH (mm)	Kg
09-033/128/C 2	1x28W	B,C,D,J	T5 lamp	G5	1193x195x60	3,3
09-033/135/C 2	1x35W	B,C,D,J	T5 lamp	G5	1493x195x60	3,9
09-033/228/C 2	2x28W	B,C,D,J	T5 lamp	G5	1193x266x60	3,9
09-033/235/C 2	2x35W	B,C,D,J	T5 lamp	G5	1493x266x60	5,5
09-063/228/C 2	2x28W	B,C,D,J	T5 lamp	G5	1193x195x60	3,7
09-063/235/C 2	2x35W	B,C,D,J	T5 lamp	G5	1493x195x60	4,4

Luminaires with 24W, 49W, 54W or 80W T5 lamps by request.

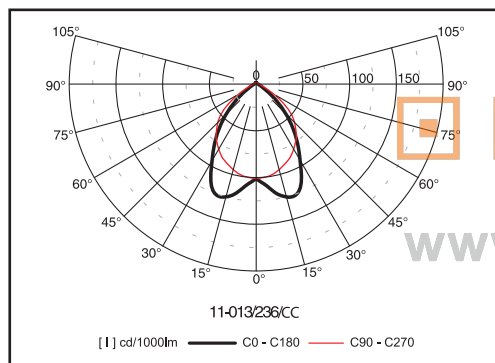
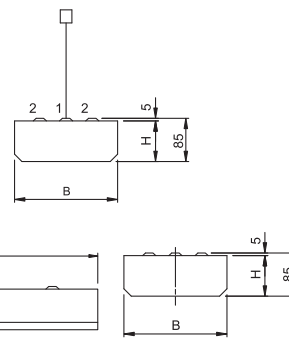
- 2 - B (highly polished parabolic louvre, 60°)
- C (matted parabolic louvre, 60°)
- D (polished Christmas tree louvre)
- J (matted Christmas tree louvre)



## Ceiling and suspended luminaires - separate



Mounting holes:  
1 - one lamp luminaires  
2 - two and more lamp luminaires



### Material:

- body: a steel sheet finished by powder technology varnishing
- color: white RAL 9003
- louvre: highly polished or matted double parabolic louvre made of aluminium sheet; polished or matted christmas tree louvre; white louvre
- cover: prismatic or opaline

Degree of protection: IP 20

Rated voltage: 230V/50Hz

Control gear: low loss ballast or electronic ballast, dimmable ballast on request; the luminaires are offered also in emergency version

Mounting: separate mounting on a ceiling; on wire and tube pendants

Accessories: wire and tube pendants (must be ordered separately)

Application: reception desks, corridors, shops, counters

### pendants for one lamp luminaires

length(mm)	without a cable	with a cable 3x1,5mm <sup>2</sup>	with a cable 5x1,5mm <sup>2</sup>
1200 (wires)	99-080/120	99-081/120	99-082/120
400 (tubes)	99-090/040	99-091/040	99-092/040
600 (tubes)	99-090/060	99-091/060	99-092/060
900 (tubes)	99-090/090	99-091/090	99-092/090
1200 (tubes)	99-090/120	99-091/120	99-092/120

### pendants for two lamp luminaires

length(mm)	without a cable	with a cable 3x1,5mm <sup>2</sup>	with a cable 5x1,5mm <sup>2</sup>
1200 (wires)	99-083/120	99-084/120	99-085/120
400 (tubes)	99-093/040	99-094/040	99-095/040
600 (tubes)	99-093/060	99-094/060	99-095/060
900 (tubes)	99-093/090	99-094/090	99-095/090
1200 (tubes)	99-093/120	99-094/120	99-095/120

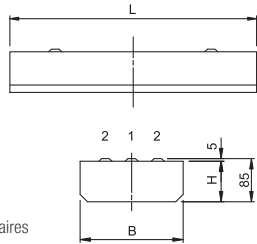
Code	Power	Louvre	Lamp	Cap	LxBxH (mm)	Kg
11-013/118/ [1][2]	1x18W	A,B,C,D,J,X,Z	T8 lamp	G13	638x207x80	2,7
11-013/136/ [1][2]	1x36W	A,B,C,D,J,X,Z	T8 lamp	G13	1248x207x80	4,5
11-013/158/ [1][2]	1x58W	A,B,C,D,J,X,Z	T8 lamp	G13	1548x207x80	5,4
11-013/218/ [1][2]	2x18W	A,B,C,D,J,X,Z	T8 lamp	G13	638x336x80	3,3
11-013/236/ [1][2]	2x36W	A,B,C,D,J,X,Z	T8 lamp	G13	1248x336x80	6,8
11-013/258/ [1][2]	2x58W	A,B,C,D,J,X,Z	T8 lamp	G13	1548x336x80	7,9
11-013/318/ [1][2]	3x18W	A,B,C,D,J,X,Z	T8 lamp	G13	638x490x80	4,9
11-013/336/ [1][2]	3x36W	A,B,C,D,J,X,Z	T8 lamp	G13	1248x490x80	8,0
11-013/358/ [1][2]	3x58W	A,B,C,D,J,X,Z	T8 lamp	G13	1548x490x80	10,1
11-013/418/ [1][2]	4x18W	A,B,C,D,J,X,Z	T8 lamp	G13	638x632x80	5,7
11-013/436/ [1][2]	4x36W	A,B,C,D,J,X,Z	T8 lamp	G13	1248x632x80	10,4
11-013/458/ [1][2]	4x58W	A,B,C,D,J,X,Z	T8 lamp	G13	1548x632x80	13,5

[1] - E (low loss ballast) - C (electronic ballast)

[2] - A (white louvre) - B (highly polished parab. louvre, 60°) - C (matted parabolic louvre, 60°)  
- D (polished christmas tree louvre) - J (matted christmas tree louvre) - X (prismatic cover)  
- Z (opaline cover)



## Ceiling luminaires with compact fl. lamps



Mounting holes:

1 - one lamp luminaires

2 - two and more lamp luminaires



## Material:

- body: a steel sheet finished by powder technology varnishing
- color: white RAL 9003
- louvre: highly polished or matted double parabolic louvre made of aluminium sheet; polished or matted christmas tree louvre

Degree of protection: IP 20

Rated voltage: 230V/50Hz

Control gear: low loss ballast or electronic ballast, dimmable ballast by request;

the luminaires are offered also in emergency version

Mounting: separate mounting on a ceiling

Application: corridors, shops, counters, computer labs, cafeterias

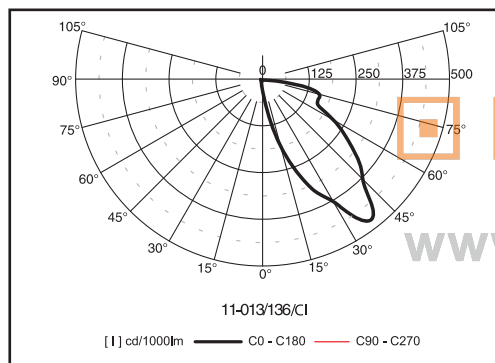
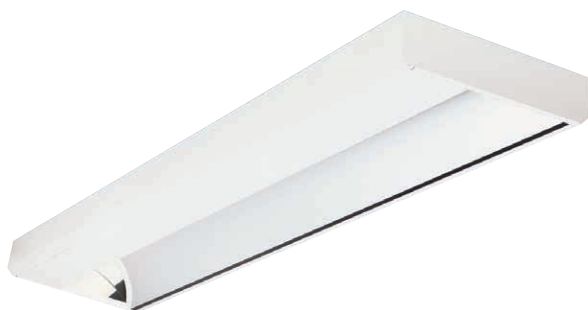
**MODUL**  
ELECTRO  
[www.modulelectro.ru](http://www.modulelectro.ru)

Code	Power	Louvre	Lamp	Cap	LxBxH (mm)	Kg
11-014/236/ <sup>1</sup> / <sub>2</sub>	2x36W	B,C,D,J	compact fl. lamp	2G11	480x336x80	3,0
11-014/255/C <sup>2</sup>	2x55W	B,C,D,J	compact fl. lamp	2G11	600x336x80	3,1
11-014/336/ <sup>1</sup> / <sub>2</sub>	3x36W	B,C,D,J	compact fl. lamp	2G11	480x492x80	4,5
11-014/355/C <sup>2</sup>	3x55W	B,C,D,J	compact fl. lamp	2G11	600x492x80	4,6

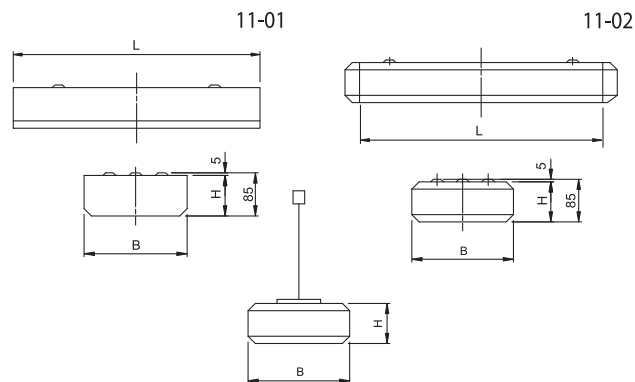
<sup>1</sup> - E (low loss ballast)  
- C (electronic ballast)

<sup>2</sup> - B (highly polished parab. louvre, 60°)  
- C (matted parabolic louvre, 60°)  
- D (polished christmas tree louvre)  
- J (matted christmas tree louvre)

# gemma | 11-01, 11-02



## Ceiling or suspended luminaires - asymmetric reflector 11-01 separate, 11-02 coupling in lines



### Material:

- body: a steel sheet finished by powder technology varnishing
- color: white RAL 9003
- reflector: a polished aluminium sheet (asymmetric profile)

Degree of protection: IP 20

Rated voltage: 230V/50Hz

Control gear: low loss ballast or electronic ballast, dimmable ballast on request;  
the luminaires are offered also in emergency version

Mounting: separate mounting on a ceiling (series 11-01);  
on wire or tube pendants; coupling in lines (series 11-02);

Accessories: wire and tube pendants; plastic endings for coupling luminaires  
(must be ordered separately)

Application: reception desks, corridors, shops, counters, computer labs

### pendants for luminaires

length(mm)	without a cable	with a cable 3x1,5 mm <sup>2</sup>	with a cable 5x1,5 mm <sup>2</sup>
1200 (wires)	99-083/120	99-084/120	99-085/120
400 (tubes)	99-093/040	99-094/040	99-095/040
600 (tubes)	99-093/060	99-094/060	99-095/060
900 (tubes)	99-093/090	99-094/090	99-095/090
1200 (tubes)	99-093/120	99-094/120	99-095/120

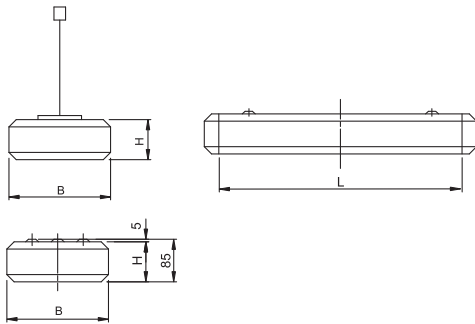
### endings for coupling luminaires

99-104

Code	Power	Lamp	Cap	LxBxH (mm)	Kg
11-013/136/□ I	1x36W	T8 lamp	G13	1248x336x80	4,5
11-013/158/□ I	1x58W	T8 lamp	G13	1548x336x80	5,4
11-023/136/□ I	1x36W	T8 lamp	G13	1240x336x80	4,5
11-023/158/□ I	1x58W	T8 lamp	G13	1540x336x80	5,4

□ - E (low loss ballast) - C (electronic ballast)

**Ceiling and suspended luminaires, direct**  
**- coupling in lines**  
**- fit to lighting systems**



**Material:**

- body: a steel sheet finished by powder technology varnishing
- color: white RAL 9003
- louvre: highly polished or matted double parabolic louvre made of aluminium sheet; polished or matted christmas tree louvre; white louvre

**Degree of protection:** IP 20

**Rated voltage:** 230V/50Hz

**Control gear:** low loss ballast or electronic ballast, dimmable ballast by request, the luminaires are offered also in emergency version

**Mounting:** directly on a ceiling or on pendants - separate, coupling in lines or in lighting systems (see Coupling agents of fluorescent luminaires)

**Accessories:** plastic endings (must be ordered separately)

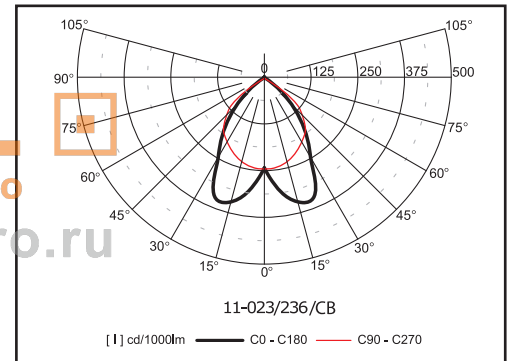
99-103 (for one lamp luminaires)

99-104 (for two lamp luminaires)

wire and tube pendants must be ordered separately

**Application:** reception desks, corridors and stairways, counters, computer labs

**MODULO ELECTRO**  
[www.modulelectro.ru](http://www.modulelectro.ru)



**pendants for one lamp luminaires**

length(mm)	without a cable	with a cable 3x1,5mm <sup>2</sup>	with a cable 5x1,5mm <sup>2</sup>
1200 (wires)	99-080/120	99-081/120	99-082/120
400 (tubes)	99-090/040	99-091/040	99-092/040
600 (tubes)	99-090/060	99-091/060	99-092/060
900 (tubes)	99-090/090	99-091/090	99-092/090
1200 (tubes)	99-090/120	99-091/120	99-092/120

**pendants for two lamp luminaires**

length(mm)	without a cable	with a cable 3x1,5mm <sup>2</sup>	with a cable 5x1,5mm <sup>2</sup>
1200 (wires)	99-083/120	99-084/120	99-085/120
400 (tubes)	99-093/040	99-094/040	99-095/040
600 (tubes)	99-093/060	99-094/060	99-095/060
900 (tubes)	99-093/090	99-094/090	99-095/090
1200 (tubes)	99-093/120	99-094/120	99-095/120

Code	Power	Louvre	Lamp	Cap	LxBxH (mm)	Kg
11-023/118/ <u>1</u> <u>2</u>	1x18W	A,B,C,D,J,X	T8 lamp	G13	630x207x80	2,7
11-023/136/ <u>1</u> <u>2</u>	1x36W	A,B,C,D,J,X	T8 lamp	G13	1240x207x80	4,5
11-023/158/ <u>1</u> <u>2</u>	1x58W	A,B,C,D,J,X	T8 lamp	G13	1540x207x80	5,4
11-023/218/ <u>1</u> <u>2</u>	2x18W	A,B,C,D,J,X	T8 lamp	G13	630x336x80	3,3
11-023/236/ <u>1</u> <u>2</u>	2x36W	A,B,C,D,J,X	T8 lamp	G13	1240x336x80	6,8
11-023/258/ <u>1</u> <u>2</u>	2x58W	A,B,C,D,J,X	T8 lamp	G13	1540x336x80	7,9

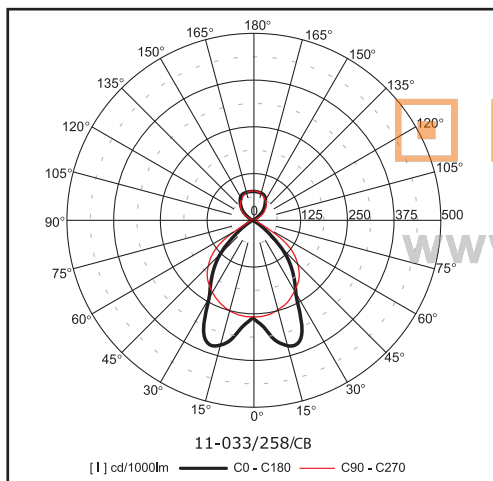
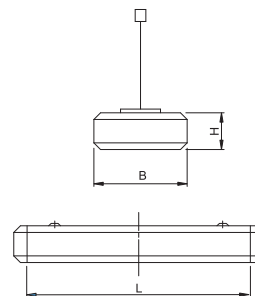
1 - E (low loss ballast) - C (electronic ballast)

2 - A (white louvre) - B (highly polished parab. louvre, 60°) - C (matted parabolic louvre, 60°)  
 - D (polished christmas tree louvre)  
 - J (matted christmas tree louvre) - X (prismatic cover)

# gemma | 11-03



**Suspended luminaires - direct/indirect**  
**- coupling in lines**  
**- fit to lighting systems**



## Material:

- body: a steel sheet finished by powder technology varnishing
- color: white RAL 9003
- louvre: highly polished or matted double parabolic louvre made of aluminium sheet; polished or matted christmas tree louvre; white louvre

Degree of protection: IP 20

Rated voltage: 230V/50Hz

Control gear: low loss ballast or electronic ballast, dimmable ballast by request, the luminaires are offered also in emergency version

Mounting: suspended on wire or tube pendants - separate or in lighting systems (see Coupling agents of fluorescent luminaires)

Accessories: plastic endings (must be ordered separately)

99-103 (for one lamp luminaires)

99-104 (for two lamp luminaires)

wire and tube pendants must be ordered separately

Application: reception desks, shops, counters, computer labs, cafeterias

### pendants for one lamp luminaires

length(mm)	without a cable	with a cable 3x1,5mm <sup>2</sup>	with a cable 5x1,5mm <sup>2</sup>
1200 (wires)	99-080/120	99-081/120	99-082/120
400 (tubes)	99-090/040	99-091/040	99-092/040
600 (tubes)	99-090/060	99-091/060	99-092/060
900 (tubes)	99-090/090	99-091/090	99-092/090
1200 (tubes)	99-090/120	99-091/120	99-092/120

### pendants for two lamp luminaires

length(mm)	without a cable	with a cable 3x1,5mm <sup>2</sup>	with a cable 5x1,5mm <sup>2</sup>
1200 (wires)	99-083/120	99-084/120	99-085/120
400 (tubes)	99-093/040	99-094/040	99-095/040
600 (tubes)	99-093/060	99-094/060	99-095/060
900 (tubes)	99-093/090	99-094/090	99-095/090
1200 (tubes)	99-093/120	99-094/120	99-095/120

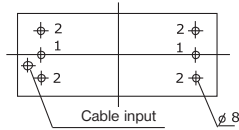
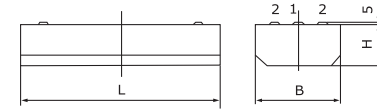
Code	Power	Louvre	Lamp	Cap	LxBxH (mm)	Kg
11-033/118/1 2	1x18W	A,B,C,D,J,X	T8 lamp	G13	630x207x80	2,7
11-033/136/1 2	1x36W	A,B,C,D,J,X	T8 lamp	G13	1240x207x80	4,5
11-033/158/1 2	1x58W	A,B,C,D,J,X	T8 lamp	G13	1540x207x80	5,4
11-033/218/1 2	2x18W	A,B,C,D,J,X	T8 lamp	G13	630x336x80	3,3
11-033/236/1 2	2x36W	A,B,C,D,J,X	T8 lamp	G13	1240x336x80	6,8
11-033/258/1 2	2x58W	A,B,C,D,J,X	T8 lamp	G13	1540x336x80	7,9

1 - E (low loss ballast)  
 - C (electronic ballast)

2 - A (white louvre)  
 - B (highly polished parab. louvre, 60°)  
 - C (matted parabolic louvre, 60°)  
 - D (polished christmas tree louvre)  
 - J (matted christmas tree louvre)  
 - X (prismatic cover)

# Ceiling and suspended luminaires - separate

12-01, 12-04 | gemini



Mounting holes:  
1 - one lamp luminaires 12-01  
and two lamps luminaires 12-04  
2 - two and more lamps luminaires 12-01



## Material:

- body: a steel sheet finished by powder technology varnishing
- color: white RAL 9003
- louvre: polished or matted christmas tree louvre; white louvre

Degree of protection: IP 20

Rated voltage: 230V/50Hz

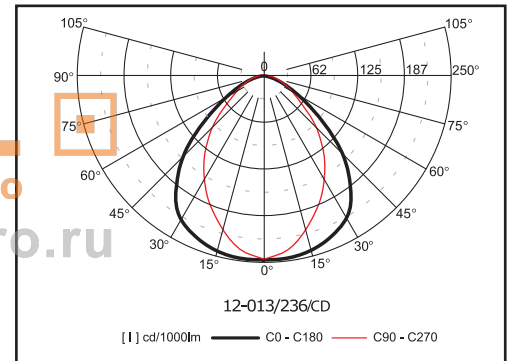
Control gear: low loss ballast or electronic ballast, dimmable ballast on request;  
the luminaires are offered also in emergency version

Mounting: on a ceiling, one and two lamp luminaires are also fit to suspended mounting

Accessories: wire and tube pendants (must be ordered separately)

Application: offices, corridors and stairways, shops, lecture halls

**MODUL**  
**ELECTRO**  
www.modulelectro.ru



Code	Power	Louvre	Lamp	Cap	LxBxH (mm)	Kg
12-013/118/12	1x18W	A,D,J	T8 lamp	G13	654x195x60	2,4
12-013/136/12	1x36W	A,D,J	T8 lamp	G13	1264x195x60	4,0
12-013/158/12	1x58W	A,D,J	T8 lamp	G13	1564x195x60	4,9
12-013/218/12	2x18W	A,D,J	T8 lamp	G13	654x266x60	2,8
12-013/236/12	2x36W	A,B,C,D,J,X,Z	T8 lamp	G13	1234x266x60	5,1
12-013/258/12	2x58W	A,B,C,D,J,X,Z	T8 lamp	G13	1534x266x60	6,9
12-013/318/12	3x18W	A,D,J	T8 lamp	G13	654x362x60	4,4
12-013/336/12	3x36W	A,D,J	T8 lamp	G13	1264x362x60	7,7
12-013/358/12	3x58W	A,D,J	T8 lamp	G13	1564x362x60	8,0
12-013/418/12	4x18W	A,D,J	T8 lamp	G13	654x654x60	4,8
12-013/436/12	4x36W	A,D,J	T8 lamp	G13	1264x458x60	8,8
12-013/458/12	4x58W	A,D,J	T8 lamp	G13	1564x458x60	9,2
12-043/218/12	2x18W	A,D,J	T8 lamp	G13	654x195x60	2,5
12-043/236/12	2x36W	A,D,J	T8 lamp	G13	1264x195x60	4,5
12-043/258/12	2x58W	A,D,J	T8 lamp	G13	1564x195x60	5,7

1] - E (low loss ballast) - C (electronic ballast)

2] - A (white louvre) - B (highly polished parab. louvre) - C (matted parabolic louvre)  
- D (polished christmas tree louvre) - J (matted christmas tree louvre) - X (prismatic cover)  
- Z (opaline cover); (C,B,X,Z only for 2x36W and 2x58W)

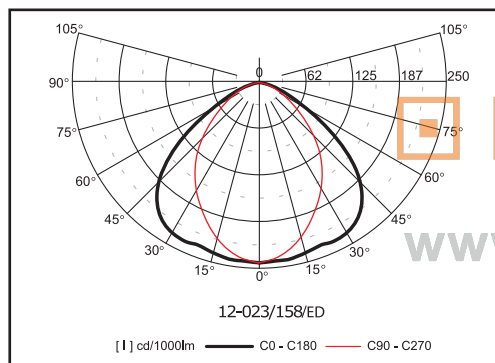
## pendants for one lamp luminaires 12-01 and two lamps luminaires 12-04

length(mm)	without a cable	with a cable 3x1,5mm <sup>2</sup>	with a cable 5x1,5mm <sup>2</sup>
1200 (wires)	99-080/120	99-081/120	99-082/120
400 (tubes)	99-090/040	99-091/040	99-092/040
600 (tubes)	99-090/060	99-091/060	99-092/060
900 (tubes)	99-090/090	99-091/090	99-092/090
1200 (tubes)	99-090/120	99-091/120	99-092/120

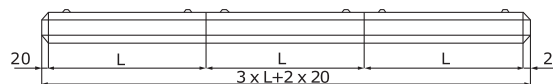
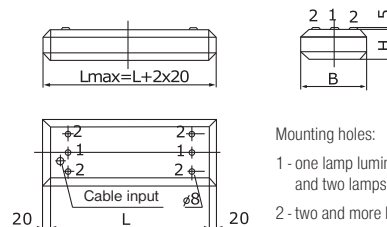
## pendants for two lamp luminaires 12-01

length(mm)	without a cable	with a cable 3x1,5mm <sup>2</sup>	with a cable 5x1,5mm <sup>2</sup>
1200 (wires)	99-083/120	99-084/120	99-085/120
400 (tubes)	99-093/040	99-094/040	99-095/040
600 (tubes)	99-093/060	99-094/060	99-095/060
900 (tubes)	99-093/090	99-094/090	99-095/090
1200 (tubes)	99-093/120	99-094/120	99-095/120

# gemini | 12-02, 12-05



## Ceiling and suspended luminaires - coupling in lines, - fit to lighting systems



### Material:

- body: a steel sheet finished by powder technology varnishing
- color: white RAL 9003
- louvre: polished or matted christmas tree louvre; white louvre

Degree of protection: IP 20

Rated voltage: 230V/50Hz

Control gear: low loss ballast or electronic ballast, dimmable ballast by request

Mounting: on a ceiling, one and two lamp luminaires are also fit to suspended mounting and coupling in lines and lighting systems

Accessories: plastic endings (must be ordered separately)

99-107 (single lamp luminaires and 12-05)

99-108 (double lamp luminaires) coupling components

(see Coupling agents of fluorescent luminaires)

wire and tube pendants (must be ordered separately)

Application: office, corridors and stairways, shops, lecture halls

Code	Power	Louvre	Lamp	Cap	LxBxH (mm)	Kg
12-023/118/12	1x18W	A,D,J	T8 lamp	G13	630x195x60	2,4
12-023/136/12	1x36W	A,D,J	T8 lamp	G13	1240x195x60	4,0
12-023/158/12	1x58W	A,D,J	T8 lamp	G13	1540x195x60	4,9
12-023/218/12	2x18W	A,D,J	T8 lamp	G13	630x266x60	2,8
12-023/236/12	2x36W	A,D,J	T8 lamp	G13	1240x266x60	5,1
12-023/258/12	2x58W	A,D,J	T8 lamp	G13	1540x266x60	6,9
12-053/218/12	2x18W	A,D,J	T8 lamp	G13	630x195x60	2,5
12-053/236/12	2x36W	A,D,J	T8 lamp	G13	1240x195x60	4,5
12-053/258/12	2x58W	A,D,J	T8 lamp	G13	1540x195x60	5,7

1] - E (low loss ballast) - C (electronic ballast)

2] - A (white louvre) - D (polished christmas tree louvre)  
- J (matted christmas tree louvre)

### pendants for one lamp luminaires 12-02 and two lamp lum. 12-05

length(mm)	without a cable	with a cable 3x1,5mm <sup>2</sup>	with a cable 5x1,5mm <sup>2</sup>
1200 (wires)	99-080/120	99-081/120	99-082/120
400 (tubes)	99-090/040	99-091/040	99-092/040
600 (tubes)	99-090/060	99-091/060	99-092/060
900 (tubes)	99-090/090	99-091/090	99-092/090
1200 (tubes)	99-090/120	99-091/120	99-092/120

### pendants for two lamp luminaires 12-02

length(mm)	without a cable	with a cable 3x1,5mm <sup>2</sup>	with a cable 5x1,5mm <sup>2</sup>
1200 (wires)	99-083/120	99-084/120	99-085/120
400 (tubes)	99-093/040	99-094/040	99-095/040
600 (tubes)	99-093/060	99-094/060	99-095/060
900 (tubes)	99-093/090	99-094/090	99-095/090
1200 (tubes)	99-093/120	99-094/120	99-095/120

## Suspended luminaires - direct/indirect, - coupling in lines, - fit to lighting systems

12-03, 12-06 | gemini



### Material:

- body: a steel sheet finished by powder technology varnishing
- color: white RAL 9003
- louvre: polished or matted christmas tree louvre; white louvre

Degree of protection: IP 20

Rated voltage: 230V/50Hz

Control gear: low loss ballast or electronic ballast, dimmable ballast by request

Mounting: on pendants, fit to coupling in lines and lighting systems  
(see Coupling agents of fluorescent luminaires)

Accessories: plastic endings

(must be ordered separately)

99-107 (one lamp luminaires and 12-06)

99-108 (two lamp luminaires)

wire and tube pendants must be ordered separately

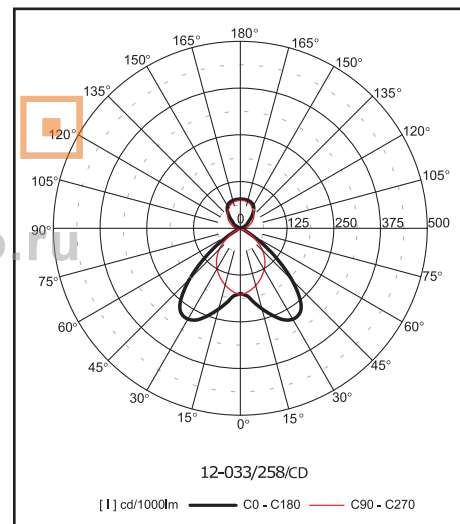
Application: offices, corridors and stairways, shops, lecture halls

### pendants for one lamp luminaires 12-03 and two lamp luminaires 12-06

length(mm)	without a cable	with a cable 3x1,5mm <sup>2</sup>	with a cable 5x1,5mm <sup>2</sup>
1200 (wires)	99-080/120	99-081/120	99-082/120
400 (tubes)	99-090/040	99-091/040	99-092/040
600 (tubes)	99-090/060	99-091/060	99-092/060
900 (tubes)	99-090/090	99-091/090	99-092/090
1200 (tubes)	99-090/120	99-091/120	99-092/120

### pendants for two lamp luminaires 12-03

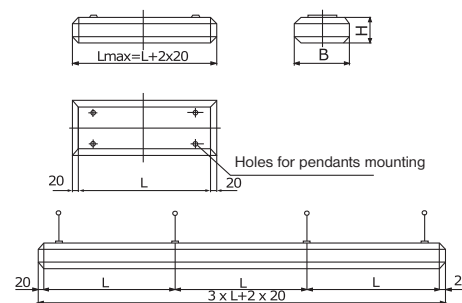
length(mm)	without a cable	with a cable 3x1,5mm <sup>2</sup>	with a cable 5x1,5mm <sup>2</sup>
1200 (wires)	99-083/120	99-084/120	99-085/120
400 (tubes)	99-093/040	99-094/040	99-095/040
600 (tubes)	99-093/060	99-094/060	99-095/060
900 (tubes)	99-093/090	99-094/090	99-095/090
1200 (tubes)	99-093/120	99-094/120	99-095/120

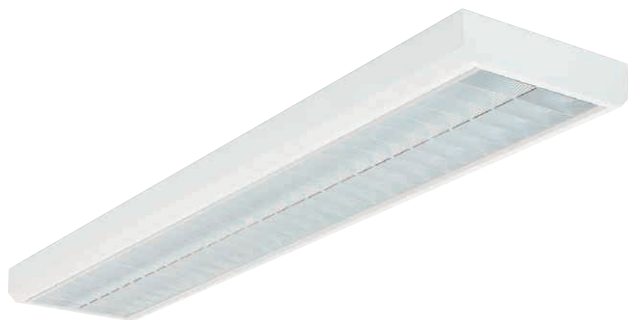


Code	Power	Louvre	Lamp	Cap	LxBxH (mm)	Kg
12-033/118/1 2	1x18W	A,D,J	T8 lamp	G13	630x195x60	2,4
12-033/136/1 2	1x36W	A,D,J	T8 lamp	G13	1240x195x60	4,0
12-033/158/1 2	1x58W	A,D,J	T8 lamp	G13	1540x195x60	4,9
12-033/218/1 2	2x18W	A,D,J	T8 lamp	G13	630x266x60	2,8
12-033/236/1 2	2x36W	A,D,J	T8 lamp	G13	1240x266x60	5,1
12-033/258/1 2	2x58W	A,D,J	T8 lamp	G13	1540x266x60	6,9
12-063/218/1 2	2x18W	A,D,J	T8 lamp	G13	630x195x60	2,5
12-063/236/1 2	2x36W	A,D,J	T8 lamp	G13	1240x195x60	4,5
12-063/258/1 2	2x58W	A,D,J	T8 lamp	G13	1540x195x60	5,7

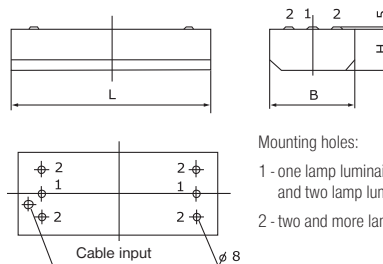
1 - E (low loss ballast) - C (electronic ballast)

2 - A (white louvre) - D (polished christmas tree louvre) - J (matted christmas tree louvre)



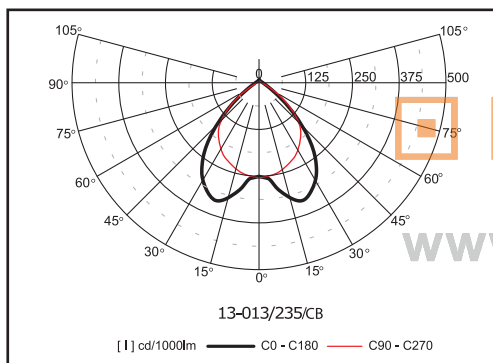


## Ceiling and suspended luminaires - T5 lamps - separate



Mounting holes:

- 1 - one lamp luminaires 13-01 and two lamp luminaires 13-04
- 2 - two and more lamp luminaires



### Material:

- body: a steel sheet finished by powder technology varnishing
- color: white RAL 9003
- louvre: highly polished or matted parabolic louvre - Miro, polished or matted christmas tree louvre

Degree of protection: IP 20

Rated voltage: 230V/50Hz

Control gear: electronic ballast, dimmable ballast by request; the luminaires are offered also in emergency version

Mounting: on a ceiling, one and two lamp luminaires are also fit to separate mounting

Accessories: wire and tube pendants (must be ordered separately)

Application: office, corridors and stairways, shops, lecture halls

### pendants for one lamp luminaires 13-01 and two lamp luminaires 13-04

length(mm)	without a cable	with a cable 3x1,5mm <sup>2</sup>	with a cable 5x1,5mm <sup>2</sup>
1200 (wires)	99-080/120	99-081/120	99-082/120
400 (tubes)	99-090/040	99-091/040	99-092/040
600 (tubes)	99-090/060	99-091/060	99-092/060
900 (tubes)	99-090/090	99-091/090	99-092/090
1200 (tubes)	99-090/120	99-091/120	99-092/120

### pendants for two lamp luminaires 13-01

length(mm)	without a cable	with a cable 3x1,5mm <sup>2</sup>	with a cable 5x1,5mm <sup>2</sup>
1200 (wires)	99-083/120	99-084/120	99-085/120
400 (tubes)	99-093/040	99-094/040	99-095/040
600 (tubes)	99-093/060	99-094/060	99-095/060
900 (tubes)	99-093/090	99-094/090	99-095/090
1200 (tubes)	99-093/120	99-094/120	99-095/120

Code	Power	Louvre	Lamp	Cap	LxBxH (mm)	Kg
13-013/114/C	1x14W	B,C,D,J,X,Z	T5 lamp	G5	593x195x60	2,1
13-013/128/C	1x28W	B,C,D,J,X,Z	T5 lamp	G5	1193x195x60	3,5
13-013/135/C	1x35W	B,C,D,J,X,Z	T5 lamp	G5	1493x195x60	4,2
13-013/214/C	2x14W	B,C,D,J,X,Z	T5 lamp	G5	593x266x60	2,5
13-013/228/C	2x28W	B,C,D,J,X,Z	T5 lamp	G5	1193x266x60	4,3
13-013/235/C	2x35W	B,C,D,J,X,Z	T5 lamp	G5	1493x266x60	5,5
13-013/314/C	3x14W	B,C,D,J,X,Z	T5 lamp	G5	593x362x60	3,5
13-013/328/C	3x28W	B,C,D,J,X,Z	T5 lamp	G5	1193x362x60	6,2
13-013/414/C	4x14W	B,C,D,J,X,Z	T5 lamp	G5	593x458x60	3,9
13-013/428/C	4x28W	B,C,D,J,X,Z	T5 lamp	G5	1193x458x60	7,3
13-043/214/C	2x14W	B,C,D,J,X,Z	T5 lamp	G5	593x195x60	2,2
13-043/228/C	2x28W	B,C,D,J,X,Z	T5 lamp	G5	1193x195x60	3,7
13-043/235/C	2x35W	B,C,D,J,X,Z	T5 lamp	G5	1493x195x60	4,4

Luminaires with 24W, 49W, 54W or 80W T5 lamps by request.

- B (highly polished parab. louvre, 60°) - C (matted parabolic louvre, 60°) - D (polished christmas tree louvre) - J (matted christmas tree louvre) - X (prismatic cover) - Z (opaline cover)

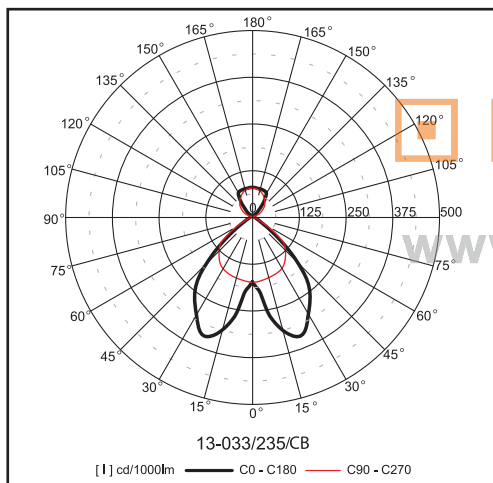
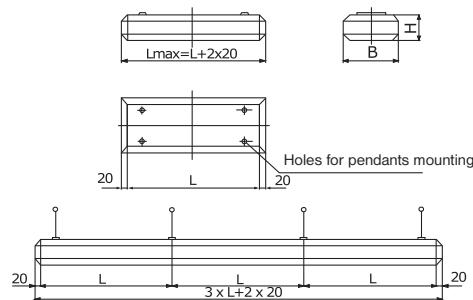




# pavo | 13-03, 13-06



**Suspended luminaires - direct/indirect**  
**- T5 lamps, - coupling in lines,**  
**- fit to lighting systems**



### Material:

- body: a steel sheet finished by powder technology varnishing
- color: white RAL 9003
- louvre: highly polished or matted parabolic louvre - Miro, polished or matted christmas tree louvre

**Degree of protection:** IP 20

**Rated voltage:** 230V/50Hz

**Control gear:** electronic ballast, dimmable ballast by request

**Mounting:** on pendants, fit to coupling in lines and lighting systems (see Coupling agents of fluorescent luminaires)

**Accessories:** plastic endings (must be ordered separately)

99-107 (one lamp luminaire and 13-06)

99-108 (two lamp luminaire)

wire and tube pendants (must be ordered separately)

**Application:** offices, corridors and stairways, shops, lecture halls

### pendants for one lamp luminaires 13-03 and two lamp luminaires 13-06

length(mm)	without a cable	with a cable 3x1,5mm <sup>2</sup>	with a cable 5x1,5mm <sup>2</sup>
1200 (wires)	99-080/120	99-081/120	99-082/120
400 (tubes)	99-090/040	99-091/040	99-092/040
600 (tubes)	99-090/060	99-091/060	99-092/060
900 (tubes)	99-090/090	99-091/090	99-092/090
1200 (tubes)	99-090/120	99-091/120	99-092/120

### pendants for two lamp luminaires 13-03

length(mm)	without a cable	with a cable 3x1,5mm <sup>2</sup>	with a cable 5x1,5mm <sup>2</sup>
1200 (wires)	99-083/120	99-084/120	99-085/120
400 (tubes)	99-093/040	99-094/040	99-095/040
600 (tubes)	99-093/060	99-094/060	99-095/060
900 (tubes)	99-093/090	99-094/090	99-095/090
1200 (tubes)	99-093/120	99-094/120	99-095/120

Code	Power	Louvre	Lamp	Cap	LxBxH (mm)	Kg
13-033/114/C	1x14W	B,C,D,J	T5 lamp	G5	590x195x60	2,0
13-033/128/C	1x28W	B,C,D,J	T5 lamp	G5	1194x195x60	3,3
13-033/135/C	1x35W	B,C,D,J	T5 lamp	G5	1490x195x60	3,9
13-033/214/C	2x14W	B,C,D,J	T5 lamp	G5	590x266x60	2,3
13-033/228/C	2x28W	B,C,D,J	T5 lamp	G5	1194x266x60	3,9
13-033/235/C	2x35W	B,C,D,J	T5 lamp	G5	1490x266x60	5,5
13-063/214/C	2x14W	B,C,D,J	T5 lamp	G5	590x195x60	2,2
13-063/228/C	2x28W	B,C,D,J	T5 lamp	G5	1194x195x60	3,7
13-063/235/C	2x35W	B,C,D,J	T5 lamp	G5	1490x195x60	4,4

Luminaires with 24W, 49W, 54W or 80W T5 lamps by request.

- B (highly polished parab. louvre, 60°) - C (matted parabolic louvre, 60°)
- D (polished christmas tree louvre)
- J (matted christmas tree louvre)

## Coupling agents of fluorescent luminaires

# 11, 12, 13 | gemma, gemini, pavo

### Specification:

- fixed or adjustable universal coupling agents of the series 11 - Gemma, 12 - Gemini, 13 - Pavo
- mounting both suspended and ceiling
- couplings are designed to pull through the feeding cables

### Couplings: • fixed:

GEMMA		GEMINI and PAVO	
single lamp lum.	double lamp lum.	single lamp lum.	double lamp lum.
A - a square coupling for fixed coupling of four luminaires in a cross			
99-321	99-331	99-361	99-371
B - a square coupling for fixed coupling of three luminaires in "T" shape			
99-322	99-332	99-362	99-372
C - a square coupling for fixed coupling of two luminaires in right angle			
99-323	99-333	99-363	99-373
D - a triangle coupling for fixed coupling of three luminaires in the shape of a star			
99-325	99-335	99-365	99-375
E - a triangle coupling for fixed coupling of two luminaires in the angle of 120°			
99-326	99-336	99-366	99-376

### • adjustable:

- a corner coupling adjustable in the range 30-150°
- a discoide coupling adjusting two luminaires in the range: 65-295° one-lamp luminaires of the series 11, 12, 13
- 90-180° two-lamp luminaires of the series 11
- 75-285° with the series 12, 13

GEMMA		GEMINI a PAVO	
single lamp lum.	double lamp lum.	single lamp lum.	double lamp lum.
F - a discoid coupling for revolving coupling of two luminaires			
99-421	99-431	99-461	99-471
G - a corner coupling for revolving coupling of three or more luminaires			
-	-	99-462	99-472
H - a corner coupling for revolving coupling of two luminaires (30-150°)			
-	-	99-463	99-473

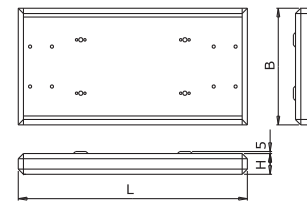
Plain modules	Code	LxBxH	Code	LxBxH
	11-000/118	630x207x80	12-000/118	630x195x60
	11-000/136	1240x207x80	12-000/136	1240x195x60
	11-000/158	1540x207x80	12-000/158	1540x195x60
	11-000/218	630x336x80	12-000/218	630x266x60
	11-000/236	1240x336x80	12-000/236	1240x266x60
Emergency modules	11-000/258	1540x336x80	12-000/258	1540x266x60
- luminous sign	11-003/118	630x207x80	12-003/118	630x195x60
	11-003/218	630x336x80	12-003/218	630x266x60
- sign module	11-100/118	630x207x80	12-100/118	630x195x60
	11-100/218	630x336x80	12-100/218	630x266x60
- luminous sign with inverter	11-103/118	630x207x80	12-103/118	630x195x60
	11-103/218	630x336x80	12-103/218	630x266x60

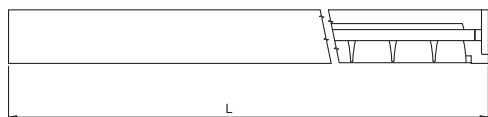
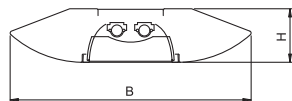
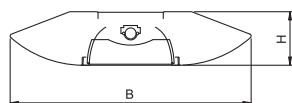
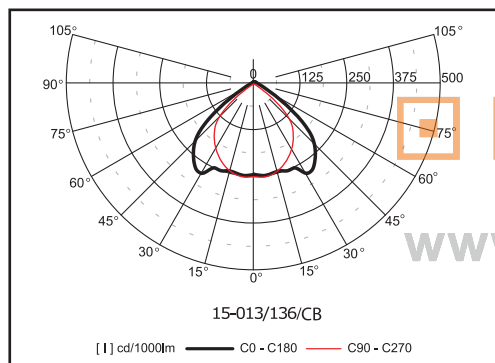


Plain modules

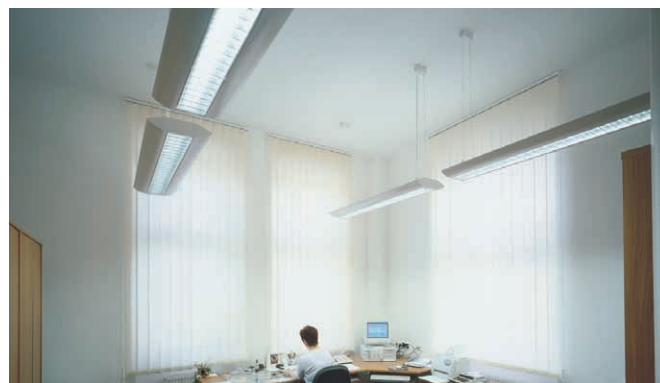


Emergency modules





## Ceiling and suspended luminaires - direct - separate



### Material:

- body: a steel sheet finished by powder technology varnishing
- color: white RAL 9003
- louvre: highly polished or matted parabolic louvre made of a pure aluminium sheet

Degree of protection: IP 20

Rated voltage: 230V/50Hz

Control gear: low loss ballast or electronic ballast, dimmable ballast by request; the luminaires are offered also in emergency version

Mounting: built up on a ceiling or suspended on wire pendants

Accessories: (must be ordered separately)

99-080/120 wire pendant without power a supply cable (120 cm)

99-081/120 wire pendant with power a supply cable 3x1,5mm<sup>2</sup> (120 cm)

99-082/120 wire pendant with power a supply cable 5x1,5mm<sup>2</sup> (120 cm)

Application: reception desks, corridors, shops and boutiques, restaurants, counters, computer labs, representative offices

Code	Power	Louvre	Lamp	Cap	LxBxH (mm)	Kg
15-013/136/ [1] [2]	1x36W	B, C	T8 lamp	G13	1242x351x78	7,8
15-013/158/ [1] [2]	1x58W	B, C	T8 lamp	G13	1542x351x78	8,4
15-013/236/ [1] [2]	2x36W	B, C	T8 lamp	G13	1242x351x78	7,9
15-013/258/ [1] [2]	2x58W	B, C	T8 lamp	G13	1542x351x78	8,5
15-013/128/C [2]	1x28W	B, C	T5 lamp	G5	1192x351x78	7,5
15-013/135/C [2]	1x35W	B, C	T5 lamp	G5	1492x351x78	8,3
15-013/228/C [2]	2x28W	B, C	T5 lamp	G5	1192x351x78	7,6
15-013/235/C [2]	2x35W	B, C	T5 lamp	G5	1492x351x78	8,4

Luminaires with 49W, 54W or 80W T5 lamps by request.

[1] - E (low loss ballast) - C (electronic ballast)

[2] - B (highly polished parab. louvre) - C (matted parabolic louvre)

## Suspended luminaires – direct - coupling in lines



### Material:

- body: a steel sheet finished by powder technology varnishing
- color: white RAL 9003
- louvre: highly polished or matted parabolic louvre made of a pure aluminium sheet

Degree of protection: IP 20

Rated voltage: 230V/50Hz

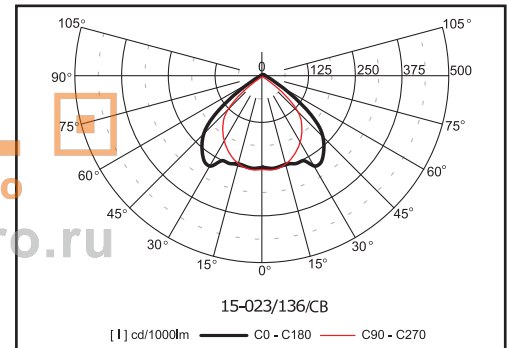
Control gear: low loss ballast or electronic ballast, dimmable ballast by request;  
the luminaires are offered also in emergency version

Mounting: built up on a ceiling or suspended on wire pendants,  
coupling in lines. Luminaire is supplied including one ending.

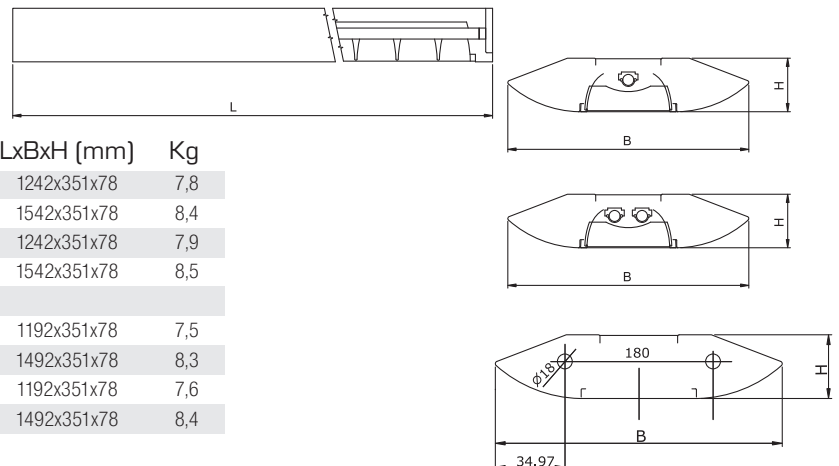
### Accessories: (must be ordered separately)

- 99-080/120 wire pendant without power a supply cable (120 cm)
- 99-081/120 wire pendant with power a supply cable 3x1,5mm<sup>2</sup> (120 cm)
- 99-082/120 wire pendant with power a supply cable 5x1,5mm<sup>2</sup> (120 cm)

Application: reception desks, corridors, shops and boutiques,  
restaurants, counters, computer labs, representative offices



**MODUL**  
**ELECTRO**  
www.modulelectro.ru



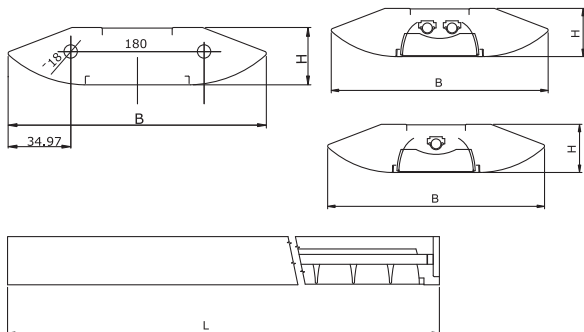
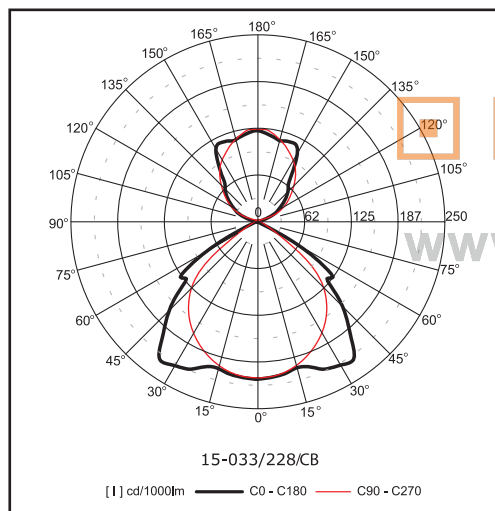
Code	Power	Louvre	Lamp	Cap	LxBxH (mm)	Kg
15-023/136/ [1] [2]	1x36W	B, C	T8 lamp	G13	1242x351x78	7,8
15-023/158/ [1] [2]	1x58W	B, C	T8 lamp	G13	1542x351x78	8,4
15-023/236/ [1] [2]	2x36W	B, C	T8 lamp	G13	1242x351x78	7,9
15-023/258/ [1] [2]	2x58W	B, C	T8 lamp	G13	1542x351x78	8,5
15-023/128/C [2]	1x28W	B, C	T5 lamp	G5	1192x351x78	7,5
15-023/135/C [2]	1x35W	B, C	T5 lamp	G5	1492x351x78	8,3
15-023/228/C [2]	2x28W	B, C	T5 lamp	G5	1192x351x78	7,6
15-023/235/C [2]	2x35W	B, C	T5 lamp	G5	1492x351x78	8,4

Luminaires with 49W, 54W or 80W T5 lamps by request.

[1] - E (low loss ballast)  
- C (electronic ballast)

[2] - B (highly polished parab. louvre)  
- C (matted parabolic louvre)

## Suspended luminaires - direct/indirect - coupling in lines



### Material:

- body: a steel sheet finished by powder technology varnishing
- color: white RAL 9003
- louvre: highly polished or matted parabolic louvre made of a pure aluminium sheet

Degree of protection: IP 20

Rated voltage: 230V/50Hz

Control gear: low loss ballast or electronic ballast, dimmable ballast by request; the luminaires are offered also in emergency version

Mounting: suspended on wire pendants, connected in lines. Luminaire is supplied including one ending.

### Accessories: (must be ordered separately)

- 99-080/120 wire pendant without power a supply cable (120 cm)
- 99-081/120 wire pendant with power a supply cable 3x1,5mm<sup>2</sup> (120 cm)
- 99-082/120 wire pendant with power a supply cable 5x1,5mm<sup>2</sup> (120 cm)

Application: reception desks, corridors, shops and boutiques, restaurants, counters, computer labs, representative offices

Code	Power	Louvre	Lamp	Cap	LxBxH (mm)	Kg
15-033/136/ [1] [2]	1x36W	B, C	T8 lamp	G13	1242x351x78	7,8
15-033/158/ [1] [2]	1x58W	B, C	T8 lamp	G13	1542x351x78	8,4
15-033/236/ [1] [2]	2x36W	B, C	T8 lamp	G13	1242x351x78	7,9
15-033/258/ [1] [2]	2x58W	B, C	T8 lamp	G13	1542x351x78	8,5
15-033/128/C [2]	1x28W	B, C	T5 lamp	G5	1192x351x78	7,5
15-033/135/C [2]	1x35W	B, C	T5 lamp	G5	1492x351x78	8,3
15-033/228/C [2]	2x28W	B, C	T5 lamp	G5	1192x351x78	7,6
15-033/235/C [2]	2x35W	B, C	T5 lamp	G5	1492x351x78	8,4

Luminaires with 49W, 54W or 80W T5 lamps by request

[1] - E (low loss ballast) - C (electronic ballast)

[2] - B (highly polished parabol. louvre) - C (matted parabolic louvre)

## Suspended luminaires - direct/indirect - separate



15-04 | avior



### Material:

- body: a steel sheet finished by powder technology varnishing
- color: structured metallic gray
- louvre: highly polished or matted parabolic louvre made of a pure aluminium sheet

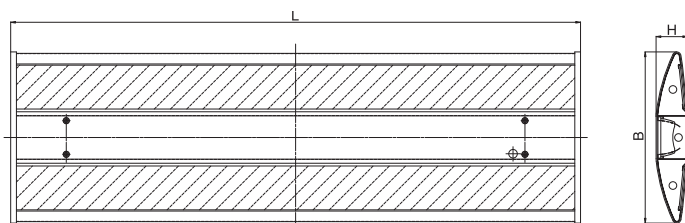
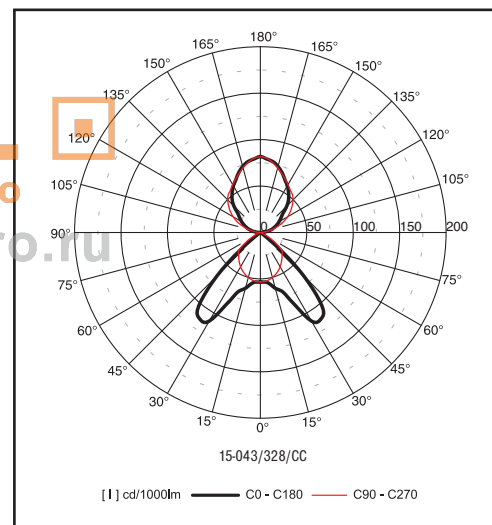
Degree of protection: IP 20

Rated voltage: 230V/50Hz

Control gear: electronic ballast, dimmable ballast (analog, digital or digital DALI) in double switch wiring, direct and indirect part of the light is controlled separately; the luminaires are offered also in emergency version

Mounting: suspended on wire pendants (pendants are supplied with luminaire)

Application: banks, representative offices, conference rooms



Code	Power	Louvre	Lamp	Cap	LxBxH (mm)	Kg
15-043/328/ [1] [2]	3x28W	B, C	T5 lamp	G5	1195x358x66	8,1
15-043/335/ [1] [2]	3x35W	B, C	T5 lamp	G5	1495x358x66	9,3
15-043/349/ [1] [2]	3x49W	B, C	T5 lamp	G5	1495x358x66	9,3
15-043/354/ [1] [2]	3x54W	B, C	T5 lamp	G5	1195x358x66	8,1
15-043/380/ [1] [2]	3x80W	B, C	T5 lamp	G5	1495x358x66	9,3

- [1]- C (electronic ballast)  
 - R (analog dimmable ballast)  
 - S (digital dimmable ballast)  
 - T (digital dimmable ballast DALI)

- [2]- B (highly polished parab. louvre)  
 - C (matted parabolic louvre)

Detail of the luminaire with  
matted parabolic louvre



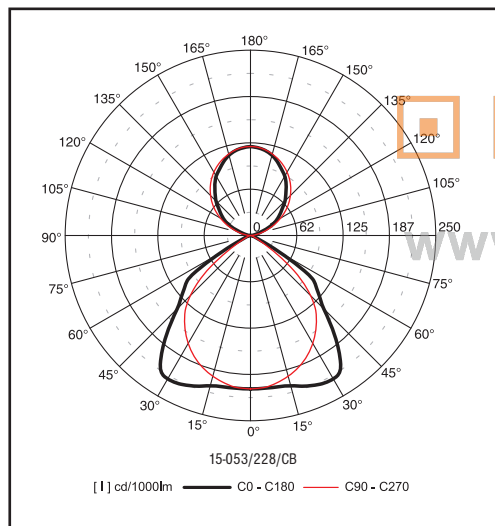
Upper side of the luminaire with  
the prismatic cover



# avior | 15-05



## Suspended luminaires – direct/indirect - separate



### Material:

- body: a steel sheet finished by powder technology varnishing
- color: white RAL 9003
- louvre: highly polished or matted parabolic louvre made of a pure aluminium sheet

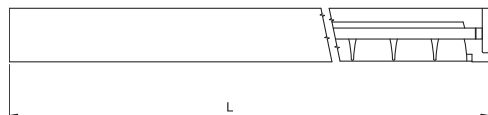
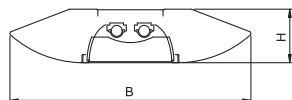
Degree of protection: IP 20

Rated voltage: 230V/50Hz

Control gear: electronic or dimmable ballast; the luminaires are offered also in emergency version

Mounting: on wire pendants (pendants are supplied with luminaire)

Application: reception desks, corridors, shops and boutiques, restaurants, counters, computers labs, representative offices



Code	Power	Louvre	Lamp	Cap	LxBxH (mm)	Kg
15-053/228/1 2	2x28W	B, C	T5 lamp	G5	1195x320x60	7,6
15-053/254/1 2	2x54W	B, C	T5 lamp	G5	1195x320x60	7,6
15-053/235/1 2	2x35W	B, C	T5 lamp	G5	1495x320x60	8,4
15-053/249/1 2	2x49W	B, C	T5 lamp	G5	1495x320x60	8,4

Luminaires with 80W T5 lamps by request

- 1 - C (electronic ballast)
- R (analog dimmable ballast)
- S (digital dimmable ballast)
- T (digital dimmable ballast DALI)

- 2 - B (highly polished parab. louvre)
- C (matted parabolic louvre)



## Ceiling luminaires for indoor sports areas

17-01 | taurus



### Material:

- body: a steel sheet finished by powder technology varnishing
- color: white RAL 9003
- louvre: white aluminium louvre, reinforced with aluminium rods protecting the lamps from ball bumps

Degree of protection: IP 20

Rated voltage: 230V/50Hz

Control gear: low loss ballast or electronic ballast, dimmable ballast by request;

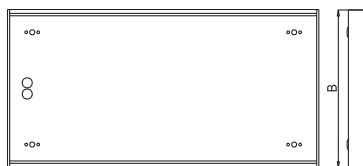
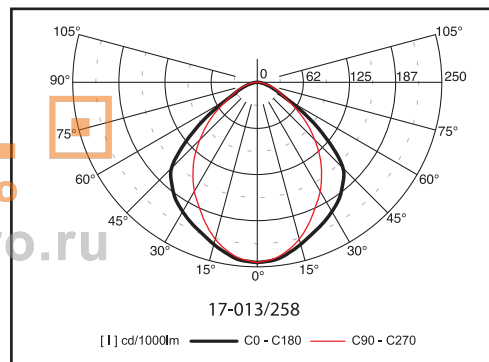
the luminaires are offered also in emergency version

Mounting: directly on a ceiling

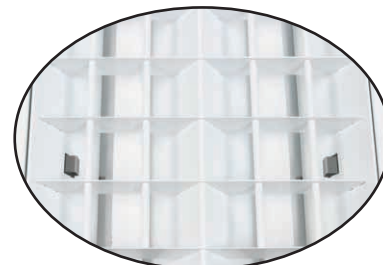
Application: gymnasiums, sporting halls, sport clubs

Shockproof test according to DIN 18032

**MODUL**  
**ELECTRO**  
www.modulelectro.ru



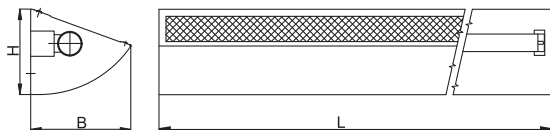
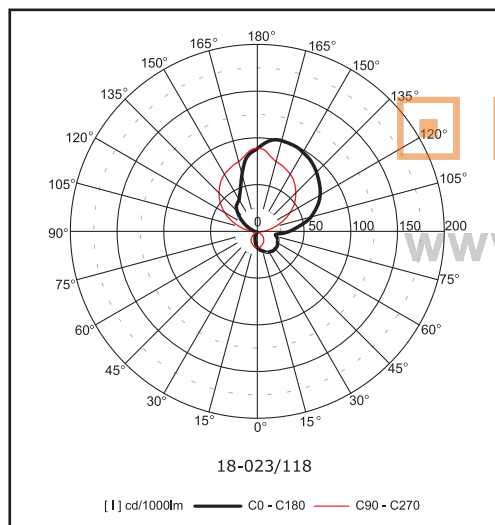
Safety locks protected against drop out of the louvre



Code	Power	Lamp	Cap	LxBxH (mm)	Kg
17-013/236/ [1]	2x36W	T8 lamp	G13	1248x336x80	8,5
17-013/258/ [1]	2x58W	T8 lamp	G13	1548x336x80	11,0
17-013/336/ [1]	3x36W	T8 lamp	G13	1248x492x80	12,2
17-013/358/ [1]	3x58W	T8 lamp	G13	1548x492x80	14,1
17-013/436/ [1]	4x36W	T8 lamp	G13	1248x632x80	14,2
17-013/458/ [1]	4x58W	T8 lamp	G13	1548x632x80	18,0

[1] - E (low loss ballast) - C (electronic ballast)

# vela | 18-01, 18-02



## Wall luminaires - indirect (18-01) - direct/indirect (18-02)



### Material:

- body: a steel sheet finished by powder technology varnishing, the upper side is covered by a prismatic cover, the bottom side of the series 18-02 direct/indirect is perforated and it is equipped with a diffusing sheet
- color: white RAL 9003

Degree of protection: IP 40

Rated voltage: 230V/50Hz

Control gear: low loss ballast or electronic ballast, dimmable ballast by request; the luminaires are offered also in emergency version

Mounting: built up on a wall

Application: corridors and stairways, lecture halls, auditoriums, representative rooms

Code	Power	Lamp	Cap	LxBxH (mm)	Kg
18-013/118/	1x18W	T8 lamp	G13	630x143x122	1,5
18-013/136/	1x36W	T8 lamp	G13	1240x143x122	2,8
18-013/158/	1x58W	T8 lamp	G13	1550x143x122	3,1
18-014/155/ C	1x55W	compact fl. lamp	2G11	630x143x122	1,6
18-014/236/	2x36W	compact fl. lamp	2G11	916x143x122	2,0
18-014/255/ C	2x55W	compact fl. lamp	2G11	1156x143x122	1,9
18-023/118/	1x18W	T8 lamp	G13	630x143x122	1,5
18-023/136/	1x36W	T8 lamp	G13	1240x143x122	2,8
18-023/158/	1x58W	T8 lamp	G13	1550x143x122	3,1
18-024/155/ C	1x55W	compact fl. lamp	2G11	630x143x122	1,5
18-024/236/	2x36W	compact fl. lamp	2G11	916x143x122	2,8
18-024/255/ C	2x55W	compact fl. lamp	2G11	1156x143x122	2,8

- E (low loss ballast) - C (electronic ballast)

## Wall luminaires

### - indirect (18-03) - direct/indirect (18-04)



#### Material:

- body: a steel sheet finished by powder technology varnishing, the upper side is covered by a prismatic cover, the bottom side of the series 18-04 direct/indirect is perforated and it is equipped with a diffusing sheet
- color: white RAL 9003

Degree of protection: IP 40

Rated voltage: 230V/50Hz

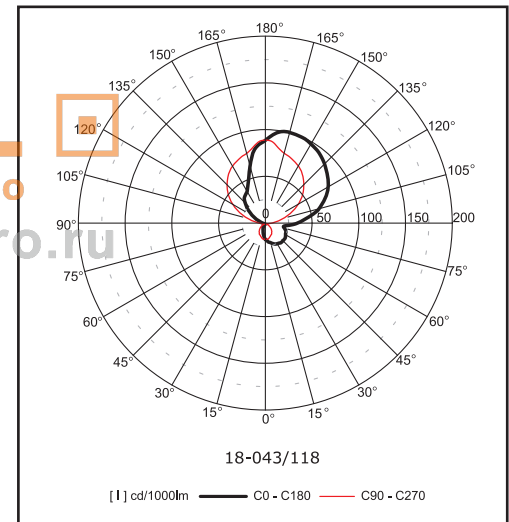
Control gear: low loss ballast or electronic ballast, dimmable ballast by request

Mounting: built up on a wall

Application: corridors and stairways, lecture halls, auditoriums, representative rooms

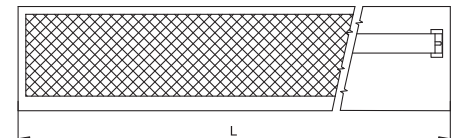
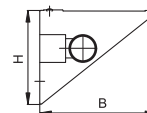
**MODUL**  
**ELECTRO**

www.modulelectro.ru



Code	Power	Lamp	Cap	LxBxH (mm)	Kg
18-033/118/	1x18W	T8 lamp	G13	630x152x122	1,5
18-033/136/	1x36W	T8 lamp	G13	1240x152x122	2,8
18-033/158/	1x58W	T8 lamp	G13	1540x152x122	3,1
18-034/155/ C	1x55W	compact fl. lamp	2G11	630x152x122	1,6
18-034/236/	2x36W	compact fl. lamp	2G11	916x152x122	2,0
18-034/255/ C	2x55W	compact fl. lamp	2G11	1156x152x122	1,9
18-043/118/	1x18W	T8 lamp	G13	630x152x122	1,5
18-043/136/	1x36W	T8 lamp	G13	1240x152x122	2,8
18-043/158/	1x58W	T8 lamp	G13	1540x152x122	3,1
18-044/155/ C	1x55W	compact fl. lamp	2G11	630x152x122	1,5
18-044/236/	2x36W	compact fl. lamp	2G11	916x152x122	2,8
18-044/255/ C	2x55W	compact fl. lamp	2G11	1156x152x122	2,8

- E (low loss ballast) - C (electronic ballast)



# scarab | 19-01, 19-02, 19-03

Wall, stand and suspended luminaires  
- direct/indirect



## Material:

- body: steel sheet finished by powder technology varnishing
- color: white RAL 9003
- diffuser: decorated opaline cover

Transparent plastic cover as protection of lamps and makes easier maintenance of luminaire.

Degree of protection: IP 20

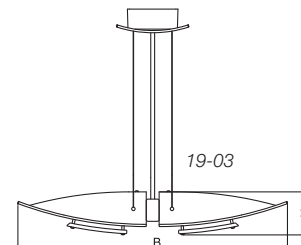
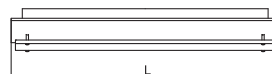
Rated voltage: 230V/50Hz

Control gear: electronic ballast, dimmable ballast by request

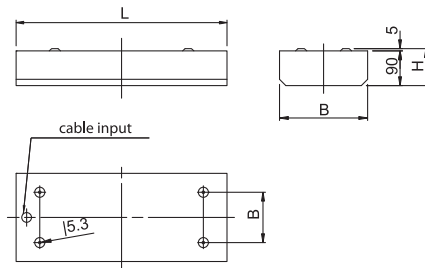
Mounting: separate mounting on wall (19-01), self-supporting version on stand (19-02), suspended mounting on wire pendants (19-03) which are supplied with luminaire

Application: offices, receptions, corridors, boutiques & restaurants

Code	Power	Lamp	Cap	LxBxH (mm)
19-014/255/CZ	2x55W	comp. fl. lamp	2G11	625x303x90
19-014/355/CZ	3x55W	comp. fl. lamp	2G11	625x303x90
Code	Power	Lamp	Cap	L/L1xB/B1xH (mm)
19-024/255/CZ	2x55W	comp. fl. lamp	2G11	625/400x303/450x1800
19-024/355/CZ	3x55W	comp. fl. lamp	2G11	625/400x303/450x1800
Code	Power	Lamp	Cap	LxBxH (mm)
19-034/455/CZ	4x55W	comp. fl. lamp	2G11	625x606x90
19-034/655/CZ	6x55W	comp. fl. lamp	2G11	625x606x90



## Ceiling luminaires IP65

**Material:**

- body: a steel sheet finished by powder technology varnishing
- color: white RAL 9003
- cover: prismatic

**Degree of protection:** IP 65

**Rated voltage:** 230V/50Hz

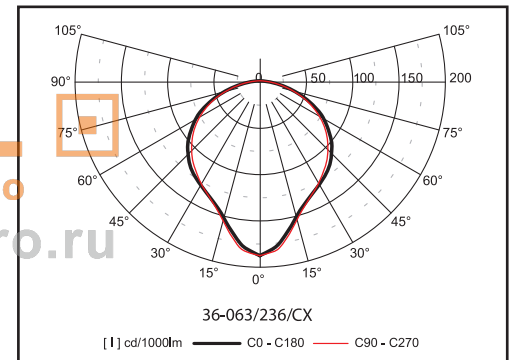
**Control gear:** low loss ballast or electronic ballast, dimmable ballast by request;  
the luminaires are offered also in emergency version

**Mounting:** built-up on a ceiling

**Application:** hospitals, laboratories, premises with high humidity and dustiness,  
premises demanding high hygienic standards

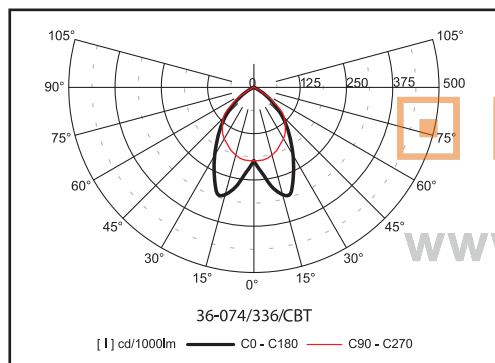
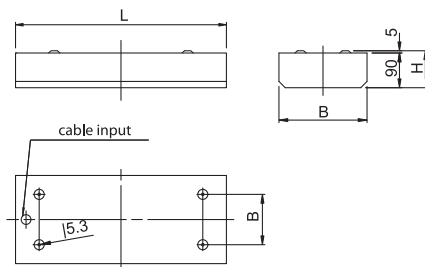
**MODUL**  
**ELECTRO**

[www.modulelectro.ru](http://www.modulelectro.ru)



Code	Power	Lamp	Cap	LxBxH (mm)	Kg
36-063/236/ <u>E</u> X	2x36W	T8 lamp	G13	1292x381x95	9,1
36-063/258/ <u>E</u> X	2x58W	T8 lamp	G13	1592x381x95	10,8
36-063/228/CX	2x28W	T5 lamp	G5	1292x381x95	9,1
36-063/235/CX	2x35W	T5 lamp	G5	1592x381x95	10,8
36-063/414/CX	4x14W	T5 lamp	G5	682x677x95	8,0
36-064/236/ <u>E</u> X	2x36W	compact fl. lamp	2G11	482x414x95	5,0
36-064/255/CX	2x55W	compact fl. lamp	2G11	604x414x95	5,4
36-064/336/ <u>E</u> X	3x36W	compact fl. lamp	2G11	482x565x95	5,4
36-064/355/CX	3x55W	compact fl. lamp	2G11	604x565x95	5,8

E - E (low loss ballast) - C (electronic ballast)



### Material:

- body: a steel sheet finished by powder technology varnishing
- color: white RAL 9003
- louvre: highly polished parabolic louvre
- cover: safety hardened glass

Degree of protection: IP 65

Rated voltage: 230V/50Hz

Control gear: low loss ballast or electronic ballast, dimmable ballast by request; the luminaires are offered also in emergency version

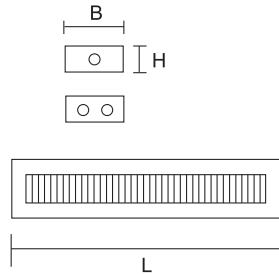
Mounting: built-up on a ceiling

Application: hospitals, laboratories, premises with high humidity and dustiness, premises demanding high hygienic standards

Code	Power	Lamp	Cap	LxBxH (mm)	Kg
36-073/236/BT	2x36W	T8 lamp	G13	1292x381x95	12,0
36-073/258/BT	2x58W	T8 lamp	G13	1592x381x95	14,3
36-073/228/CBT	2x28W	T5 lamp	G5	1292x381x95	12,0
36-073/235/CBT	2x35W	T5 lamp	G5	1592x381x95	14,3
36-073/414/CBT	4x14W	T5 lamp	G5	682x677x95	9,0
36-074/236/BT	2x36W	compact fl. lamp	2G11	482x414x95	6,2
36-074/255/CBT	2x55W	compact fl. lamp	2G11	604x414x95	6,6
36-074/336/BT	3x36W	compact fl. lamp	2G11	482x565x95	6,9
36-074/355/CBT	3x55W	compact fl. lamp	2G11	604x565x95	7,3

- E (low loss ballast) - C (electronic ballast)

## Ceiling and suspended luminaires - direct/indirect



### Material:

- body: anodized aluminium profile
- louvre: highly polished or matted parabolic louvre made of aluminium sheet

Degree of protection: IP 20

Rated voltage: 230V/50Hz

Control gear: electronic ballast, the luminaires are offered also in emergency version

Mounting: built up on a ceiling or suspended on wire pendants

Accessories: (must be ordered separately)

99-972 – wire pendant with power supply cable 1200mm (set for one luminaire)

99-973 – ceiling bracket-indirect 1200mm (for 1x28/54W lamps)  
(must be ordered for ceiling mounting)

99-974 – ceiling bracket-indirect 1500mm (for 1x35/49/80W lamps)  
(must be ordered for ceiling mounting)

99-975 – ceiling bracket-indirect 1200mm (for 2x28/54W lamps)  
(must be ordered for ceiling mounting)

99-976 – ceiling bracket-indirect 1500mm (for 2x35/49/80W lamps)  
(must be ordered for ceiling mounting)

Application: offices, corridors and stairways, shops, lecture halls

In case of suspended mounting and direct luminous flux you have to use ceiling bracket-indirect (99-973, 99-974, 99-975 or 99-976).

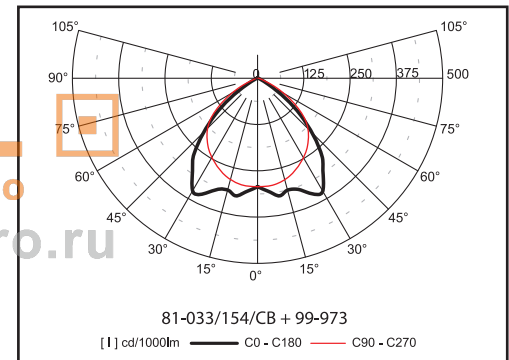
Code	Power	Louvre	Lamp	Cap	LxBxH (mm)	Kg
81-033/154/C <sup>2</sup>	1x28/54W	B, C	T5 lamp	G5	1252x157x50	4,0
81-033/180/C <sup>2</sup>	1x35/49/80W	B, C	T5 lamp	G5	1552x157x50	4,9
81-033/254/C <sup>2</sup>	2x28/54W	B, C	T5 lamp	G5	1252x212x50	4,3
81-033/249/C <sup>2</sup>	2x35/49W	B, C	T5 lamp	G5	1552x212x50	5,2
81-033/280/C <sup>2</sup>	2x80W	B, C	T5 lamp	G5	1552x212x50	5,2

<sup>2</sup> - B (highly polished parab. louvre, 60°)  
- C (matted parabolic louvre, 60°)

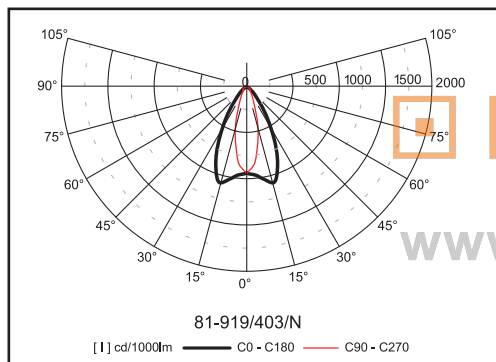
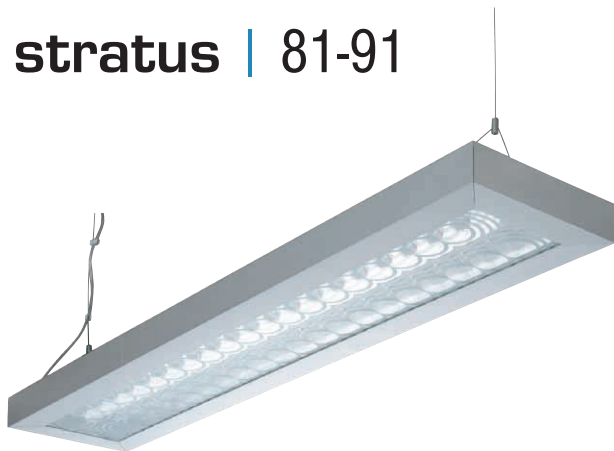
Electronic ballast are in multiwatt version.

Multiwatt versions - QT1 1x28/54, QT1 1x35/49/80, QT1 2x28/54, QT1 2x35/49

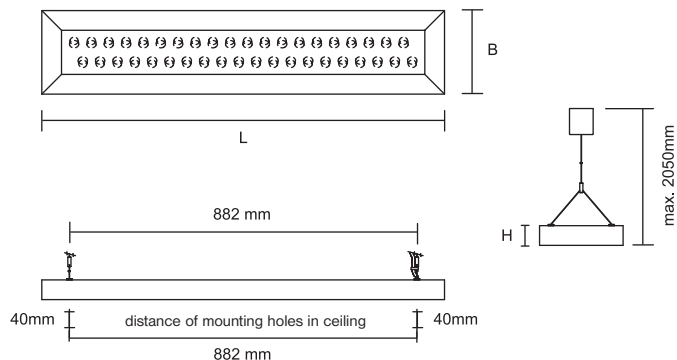
**MODUL**  
**ELECTRO**  
www.modulelectro.ru



# stratus | 81-91



## Suspended luminaires with LEDs – direct



### Material:

- body: anodized aluminium profile

Degree of protection: IP 20

Rated voltage: 230V/50Hz

Control gear: transformer

Mounting: suspended on wire pendants

Accessories: (must be ordered separately)

99-972 – wire pendant with power supply cable 1200mm (set for one luminaire)

Application: offices, shops, finance houses, lecture halls



Code	Power	Lamp	Color temperature	Lumen per watt	LxBxH (mm)	Kg
81-919/403/N	40x1,5W	LED	6000K	100 lm/W	1022x212x50	6,1



## Ceiling and suspended luminaires – direct

# 89-00 | sagita



### Material:

- body: anodized aluminium profile
- diffuser: opaline or semi-mat cover

Degree of protection: IP 44

Rated voltage: 230V/50Hz

Control gear: electronic ballast

Mounting: separate mounting on ceiling or suspended on wire/tube pendants

Accessories: (must be ordered separately)

99-850 – wire pendant includes holder of luminaire, steel cable 200 cm and ceiling bracket for adjustment of wire pendant (two pieces for luminaire needed)

99-851 – tube set (30 cm) includes holder of luminaire, aluminium tube and ceiling bracket (two sets for 1 luminaire needed)

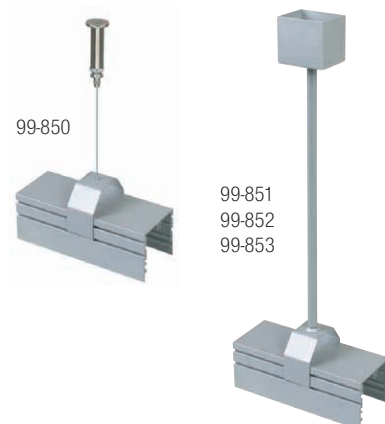
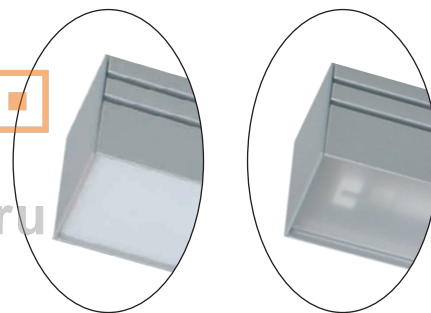
99-852 – tube set (60 cm) includes holder of luminaire, aluminium tube and ceiling bracket (two sets for 1 luminaire needed)

99-853 – tube set (90 cm) includes holder of luminaire, aluminium tube and ceiling bracket (two sets for 1 luminaire needed)

Application: restaurants, shops, hotels, finance houses, corridors and stairways

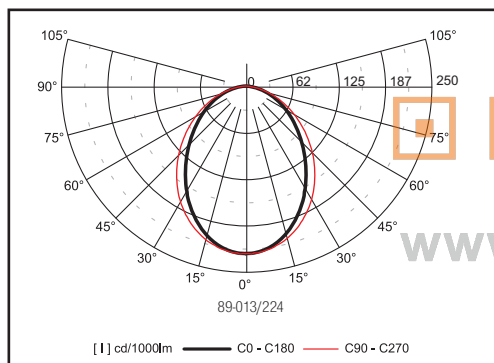
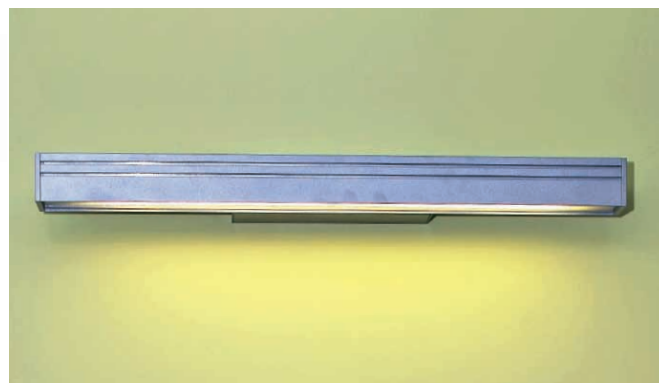
Feed cable 1500mm is fitted in luminaire profile as standard.

**MODULO**  
ELECTRO  
[www.modulelectro.ru](http://www.modulelectro.ru)



Code	Power	Lamp	Cap	LxBxH (mm)	Kg
89-003/114/C	1x14W	T5 lamp	G5	590x60x56	1,2
89-003/124/C	1x24W	T5 lamp	G5	590x60x56	1,2
89-003/139/C	1x39W	T5 lamp	G5	890x60x56	1,5
89-003/128/C	1x28W	T5 lamp	G5	1190x60x56	1,8
89-003/154/C	1x54W	T5 lamp	G5	1190x60x56	1,8
89-003/135/C	1x35W	T5 lamp	G5	1490x60x56	2,2
89-003/149/C	1x49W	T5 lamp	G5	1490x60x56	2,2
89-003/180/C	1x80W	T5 lamp	G5	1490x60x56	2,2

- Z (opaline cover)  
- X (acrylate semi-mat diffuser)



### Material:

- body: anodized aluminium profile
- diffuser: opaline or semi-mat cover

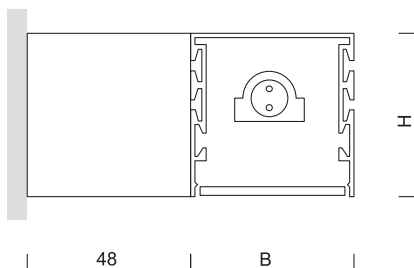
Degree of protection: IP 44

Rated voltage: 230V/50Hz

Control gear: electronic ballast

Mounting: on a wall

Application: restaurants, shops, hotels, finance houses, corridors and stairways

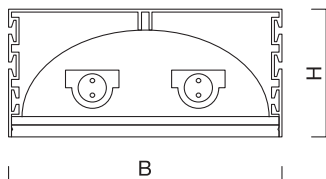


Code	Power	Lamp	Cap	LxBxH (mm)	Kg
89-013/114/C <sup>[2]</sup>	1x14W	T5 lamp	G5	590x48x48	1,3
89-013/124/C <sup>[2]</sup>	1x24W	T5 lamp	G5	590x48x48	1,3
89-013/121/C <sup>[2]</sup>	1x21W	T5 lamp	G5	890x48x48	1,5
89-013/139/C <sup>[2]</sup>	1x39W	T5 lamp	G5	890x48x48	1,5

<sup>[2]</sup> - Z (opaline diffuser)

- X (acrylate semi-mat diffuser)

## Ceiling and suspended luminaires



### Material:

- body: is made of aluminium profile
- color: gray
- louvre: opaline

Degree of protection: IP 44

Rated voltage: 230V/50Hz

Control gear: electronic ballast

Mounting: on a ceiling or suspended on wire pendants

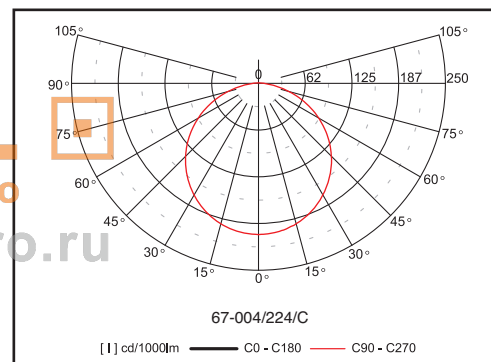
Accessories: (must be ordered separately)

99-850 - wire pendant includes holder of luminaire, steel cable 200 cm and ceiling bracket for adjustment of wire pendant (two pieces for luminaire needed)

Application: reception desks, shops, vestibules, restaurants

**MODUL**  
ELECTRO

www.modulelectro.ru



Code	Power	Lamp	Cap	LxBxH (mm)	Kg
67-004/214/C	2x14W	T5 lamp	G5	590x120x56	1,0
67-004/224/C	2x24W	T5 lamp	G5	590x120x56	1,0
67-004/221/C	2x21W	T5 lamp	G5	890x120x56	1,7
67-004/239/C	2x39W	T5 lamp	G5	890x120x56	1,7
67-004/228/C	2x28W	T5 lamp	G5	1190x120x56	2,2
67-004/254/C	2x54W	T5 lamp	G5	1190x120x56	2,2
67-004/235/C	2x35W	T5 lamp	G5	1490x120x56	2,7
67-004/249/C	2x49W	T5 lamp	G5	1490x120x56	2,7
67-004/280/C	2x80W	T5 lamp	G5	1490x120x56	2,7

# paleo | 76-01, 76-03, 76-04



## Ceiling and suspended luminaires

76-01 – suspended luminaires, direct

76-03 – suspended luminaires, direct/indirect

76-04 – ceiling luminaires



### Material:

- body: anodized aluminium profile
- color: gray
- diffuser: PMMA opaline

Degree of protection: IP 40

Rated voltage: 230V/50Hz

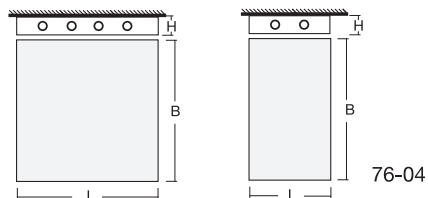
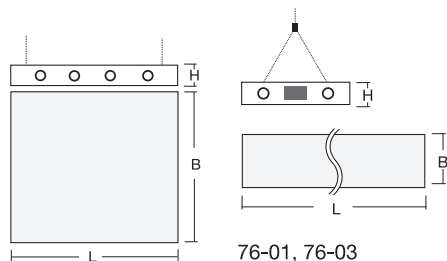
Control gear: electronic ballast, dimmable ballast on request

Mounting: suspended on wire pendants (series 76-01 and 76-03);  
directly on ceiling (series 76-04)

Accessories: luminaire 76-01 and 76-03 are supplied with 4 wire pendants 2000 mm,  
supply cable and ceiling cup cover

must be ordered separately: 99-920 – set of 4 wire pendants 2000 mm, supply cable and  
ceiling cup cover (only for 76-043/414/CZ and 76-043/424/CZ)

Application: representative offices, classrooms and libraries, lecture halls,  
finance houses, shops



Code	Power	Lamp	Cap	LxBxH (mm)	Kg
76-013/228/CZ	2x28W	T5 lamp	G5	1200x180x46	4,5
76-013/235/CZ	2x35W	T5 lamp	G5	1500x180x46	5,6
76-013/254/CZ	2x54W	T5 lamp	G5	1200x180x46	4,5
76-033/228/CZ	2x28W	T5 lamp	G5	1200x180x46	4,3
76-033/235/CZ	2x35W	T5 lamp	G5	1500x180x46	5,4
76-033/254/CZ	2x54W	T5 lamp	G5	1200x180x46	4,3
76-043/214/CZ	2x14W	T5 lamp	G5	600x180x55	4,3
76-043/228/CZ	2x28W	T5 lamp	G5	1200x180x55	4,5
76-043/235/CZ	2x35W	T5 lamp	G5	1500x180x55	5,6
76-043/254/CZ	2x54W	T5 lamp	G5	1200x180x55	4,5
76-043/414/CZ	4x14W	T5 lamp	G5	600x600x55	6,2
76-043/424/CZ	4x24W	T5 lamp	G5	600x600x55	6,2

Luminaires with 21W or 49W T5 lamps by request.

## Wall luminaires

### 76-05 direct, 76-06 direct/indirect



#### Material:

- body: anodized aluminium profile
- color: gray
- diffuser: PMMA opaline

Degree of protection: IP 40

Rated voltage: 230V/50Hz

Control gear: electronic ballast, dimmable ballast on request

Mounting: on wall

Application: representative offices, meeting areas, cultural facilities, shops

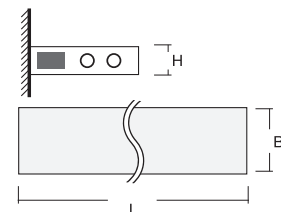
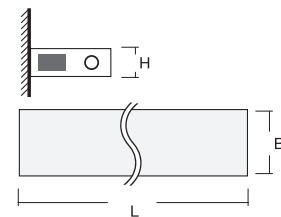
**MODUL**  
ELECTRO

[www.modulelectro.ru](http://www.modulelectro.ru)



Code	Power	Lamp	Cap	LxBxH (mm)	Kg
76-053/114/CZ	1x14W	T5 lamp	G5	600x80x46	2,1
76-053/128/CZ	1x28W	T5 lamp	G5	1200x80x46	4,1
76-053/135/CZ	1x35W	T5 lamp	G5	1500x80x46	5,1
76-053/154/CZ	1x54W	T5 lamp	G5	1200x80x46	4,1
76-053/214/CZ	2x14W	T5 lamp	G5	600x120x46	2,5
76-053/228/CZ	2x28W	T5 lamp	G5	1200x120x46	4,9
76-053/235/CZ	2x35W	T5 lamp	G5	1500x120x46	5,5
76-053/254/CZ	2x54W	T5 lamp	G5	1200x120x46	4,9
<hr/>					
76-063/114/CZ	1x14W	T5 lamp	G5	600x80x46	2,0
76-063/128/CZ	1x28W	T5 lamp	G5	1200x80x46	3,9
76-063/135/CZ	1x35W	T5 lamp	G5	1500x80x46	4,8
76-063/154/CZ	1x54W	T5 lamp	G5	1200x80x46	3,9
76-063/214/CZ	2x14W	T5 lamp	G5	600x120x46	2,4
76-063/228/CZ	2x28W	T5 lamp	G5	1200x120x46	4,7
76-063/235/CZ	2x35W	T5 lamp	G5	1500x120x46	5,2
76-063/254/CZ	2x54W	T5 lamp	G5	1200x120x46	4,7

Luminaires with 21W and 49W T5 lamps by request.



# BS 1000 | salvaspazio

## Ceiling and suspended luminaires - T8 lamps - direct - fit to lighting systems



### Material:

- body: polyester powder coated steel sheet
- color: white RAL 9003
- louvre: antiglare
- reflector: polyester powder coated steel sheet

Degree of protection: IP 20/40

Rated voltage: 230V/50Hz

Control gear: electronic ballast with the highest energy savings with hot cathode ascension. The luminaires are offered also in emergency version excl. version 1x.

Mounting: on a ceiling, suspended mounting with pendants or fit to lighting systems

### Accessories:

Provided with: sliding suspension brackets and anti-fall cathode covers

To be ordered separately (necessary for installation):

14742 - closing end caps (white color)

14750 - feeding connector with a 5P (max. 2,5mm<sup>2</sup>)\*

\*each system with BS1000 needs at least a head feeder or a connector for each single electric feeding line

To be ordered separately:

14723 - dark light-type louvre (DKL1) for 36W\*

14724 - dark light-type louvre (DKL1) for 58W\*

14725 - protection cover PMMA for 36W\*

14726 - protection cover PMMA for 58W\*

14740 - wall bracket white IP40 for 36W\*

14741 - wall bracket white IP40 for 58W\*

14751 - universal box for joining (linear, 90°, "T", cross joining)

14770 - fast linear connection bracket

14771 - single lamp / dual lamp suspension

14772 - cable raceway for 36W\*

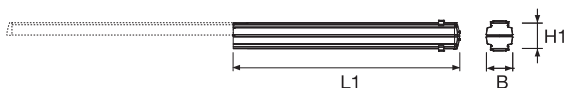
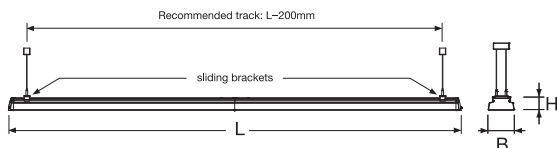
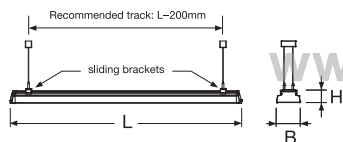
14773 - cable raceway for 58W\*

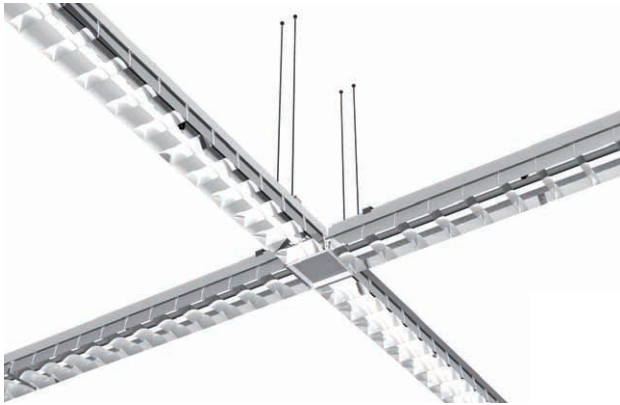
\*for versions 1+1 and 2+2 it is necessary to order 2pcs

Application: production lines, exhibition halls, supermarkets

MODULO  
ELECTRO

www.modulelectro.it

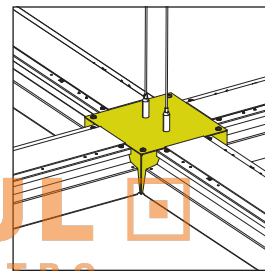
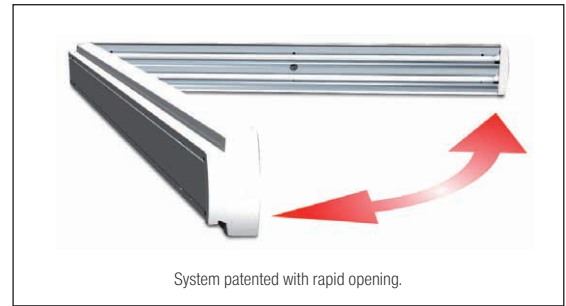




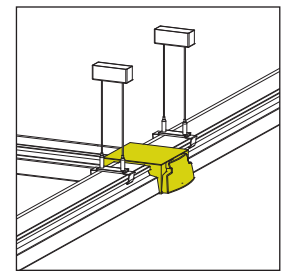
Luminaire with integrated cables in continuous line for a rapid connection with a 3P+N+T 2,5 mm<sup>2</sup> channeling and with the possibility of a separate cable channel to facilitate any support service. Folding structure to reduce the cluttered length with a rapid mechanism and a safety lock. Lamp holders provided with supporting rings for anti-fall. Double ascension possible in every direction with a system integrating a rapid opening (1+1, 2+2).

Examples of a joining with a dark light louvre installed:

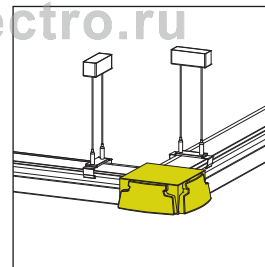
- Universal box for cross joining (4 luminaires)
- Universal box for "T" joining (3 luminaires)
- Universal box for 90° joining (2 luminaires)



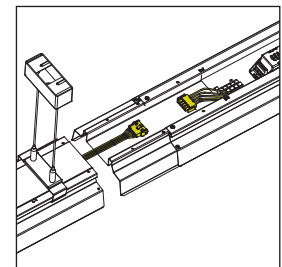
Universal box for cross joining



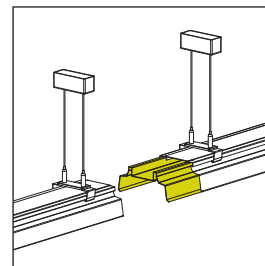
Universal box for "T" joining



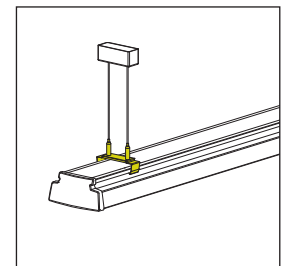
Universal box for 90° joining



Fast electric connection system



Fast linear connection bracket



Suspended system with a variable tracks for installation by means of sliding brackets. Recommended track: L=200mm

**MODULO**  
**ELECTRO**  
www.modulelectro.ru

Code	Power	Lamp	Cap	L/B/H/L1/H1(mm)	Kg
14700	1+ 1x36W	T8 lamp	G13	2500/190/88/1260/177	8,0
14702	1+ 1x58W	T8 lamp	G13	3097/190/88/1560/177	10,5
14701	2+ 2x36W	T8 lamp	G13	2500/190/88/1260/177	8,5
14703	2+ 2x58W	T8 lamp	G13	3097/190/88/1560/177	11,0
14708	1x36W	T8 lamp	G13	1270/190/88	3,8
14710	1x58W	T8 lamp	G13	1575/190/88	4,8
14709	2x36W	T8 lamp	G13	1270/190/88	4,0
14711	2x58W	T8 lamp	G13	1575/190/88	5,0

# topaz | 54-00, 54-01

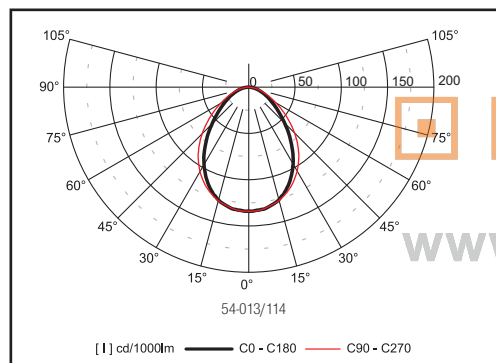


54-00

## Wall luminaires – direkt



54-01



### Material:

- body: made of steel sheet and anodized aluminium
- colour: white (other RAL colours on request)

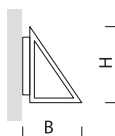
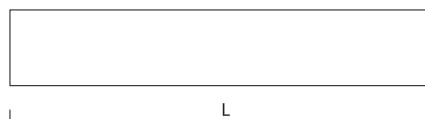
Degree of protection: IP 44

Rated voltage: 230V/50Hz

Control gear: electronic ballast

Mounting: on a wall

Application: restaurants, shops, hotels, finance houses, corridors and stairways



Code	Power	Lamp	Cap	LxBxH (mm)	Kg
54-004/126/C	1x26W	compact fl. lamp	G24q-3	280x150x180	2,5
54-004/155/C	1x55W	compact fl. lamp	2G11	580x150x180	3,8
54-004/236/C	2x36W	compact fl. lamp	2G11	880x150x180	5,1
54-013/114/C	1x14W	lamp T5	G5	605x77x90	1,4
54-013/121/C	1x21W	lamp T5	G5	605x77x90	1,4
54-013/214/C	1x24W	lamp T5	G5	605x77x90	1,4





**MODUL**  
ELECTRO  
[www.modulelectro.ru](http://www.modulelectro.ru)



 **MODUL** 

**Recessed luminaires**

[www.modulelectro.ru](http://www.modulelectro.ru)





Taurus 17-03 60



Virgo 30-02 61



Virgo 30-03 62



Virgo 30-05 63



Stella 31-02 65



Stella 31-04 66



Stella 31-06 67



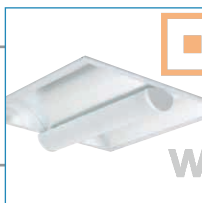
Lyra 29-023 69



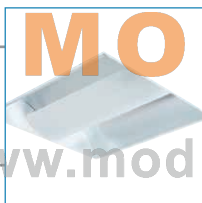
Lyra 32-02 70



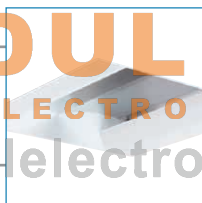
Lyra 32-06 71



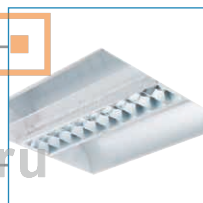
Carella 34-00 72



Carella 34-02 73



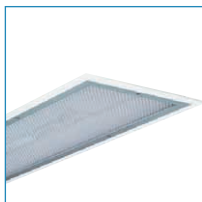
Carella 34-03 74



Carella 34-06 75



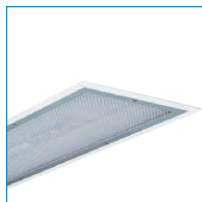
Aries 35-02 76



Aries 35-03 77



Arietis 36-02 78



Arietis 36-03 79



Arietis 36-04 80



Arietis 36-05 80



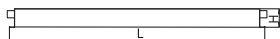
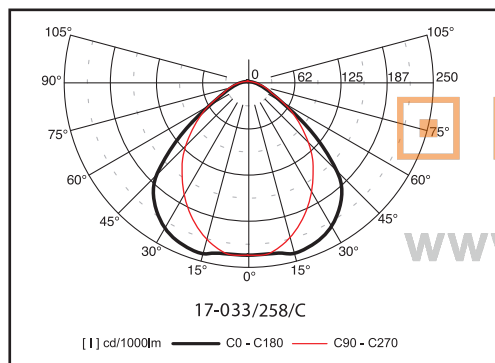
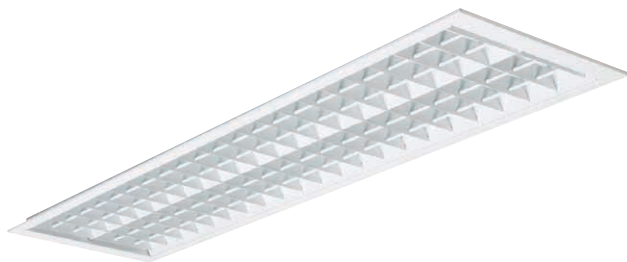
Toscano 37-01 81



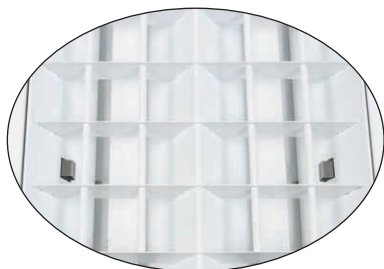
Ronos 69-00 82

Beghelli

MODUL ELECTRO  
www.modulelectro.ru



Safety locks protected  
against drop out of the louvre



## Recessed luminaires for indoor sports areas



### Material:

- body: a steel sheet finished by powder technology varnishing
- color: white RAL 9003
- louvre: white aluminium louvre, reinforced with AL rods, protecting the lamps from ball bumps

Degree of protection: IP 20

Rated voltage: 230V/50Hz

Control gear: low loss ballast or electronic ballast, dimmable ballast by request; the luminaires are offered also in emergency version

Mounting: universal mounting in ceiling systems M625 and in plaster ceiling

Accessories: steel holders (must be ordered separately)

99-298 in ceiling systems (4pcs)

99-299 in plaster ceilings (4pcs)

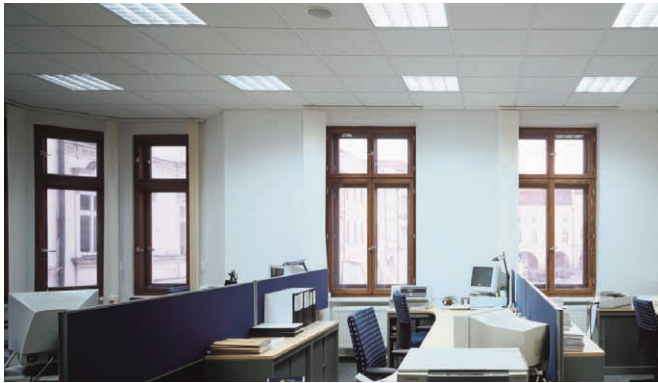
Application: gymnasiums, sporting halls, sport clubs

Shockproof test according to DIN 18032

Code	Power	Lamp	Cap	LxBxH (mm)	Module	Hole cut out (mm)	Kg
17-033/236/ <input type="checkbox"/>	2x36W	T8 lamp	G13	1248x311x90	M625	1175x275	8,5
17-033/258/ <input type="checkbox"/>	2x58W	T8 lamp	G13	1548x311x90	M625	1474x275	11,0
17-033/336/ <input type="checkbox"/>	3x36W	T8 lamp	G13	1248x622x90	M625	1175x580	12,2
17-033/358/ <input type="checkbox"/>	3x58W	T8 lamp	G13	1548x622x90	M625	1475x580	14,1
17-033/436/ <input type="checkbox"/>	4x36W	T8 lamp	G13	1248x622x90	M625	1175x580	14,2
17-033/458/ <input type="checkbox"/>	4x58W	T8 lamp	G13	1548x622x90	M625	1475x580	18,0

- E (low loss ballast) - C (electronic ballast)

## Recessed luminaires - inlay mounting M600



### Material:

- body: a steel sheet finished by powder technology varnishing
- color: white RAL 9003
- louvre: highly polished or matted double parabolic louvre, polished or matted christmas tree louvre, white louvre
- diffuser: prismatic cover, opaline cover

Degree of protection: IP 20

Rated voltage: 230V/50Hz

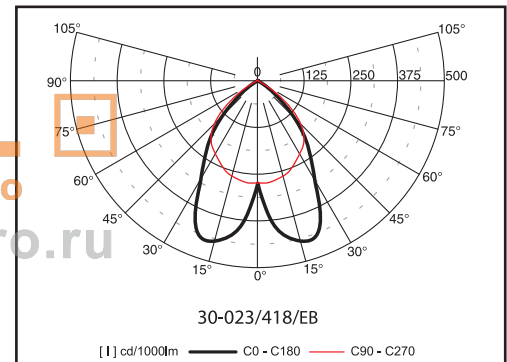
Control gear: low loss ballast or electronic ballast, dimmable ballast by request;

the luminaires are offered also in emergency version

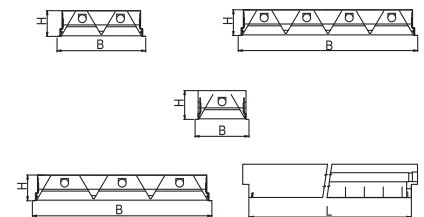
Mounting: ceiling modules M600 - inlay mounting

Application: representative offices, conference and lecture halls, department stores, boutiques, corridors

**MODUL**  
ELECTRO  
www.modulelectro.ru



Code	Power	Louvre	Lamp	Cap	LxBxH (mm)	Module	Kg
30-023/118/[1][2]	1x18W	A,B,C,D,J,X,Z	T8 lamp	G13	593x178x95	M600	2,2
30-023/136/[1][2]	1x36W	A,B,C,D,J,X,Z	T8 lamp	G13	1193x178x95	M600	3,6
30-023/158/[1][2]	1x58W	A,B,C,D,J,X,Z	T8 lamp	G13	1493x178x95	M600	5,1
30-023/218/[1][2]	2x18W	A,B,C,D,J,X,Z	T8 lamp	G13	593x293x85	M600	3,2
30-023/236/[1][2]	2x36W	A,B,C,D,J,X,Z	T8 lamp	G13	1193x293x85	M600	5,7
30-023/258/[1][2]	2x58W	A,B,C,D,J,X,Z	T8 lamp	G13	1493x293x85	M600	9,2
30-023/318/[1][2]	3x18W	A,B,C,D,J,X,Z	T8 lamp	G13	593x593x85	M600	4,6
30-023/336/[1][2]	3x36W	A,B,C,D,J,X,Z	T8 lamp	G13	1193x593x85	M600	9,5
30-023/418/[1][2]	4x18W	A,B,C,D,J,X,Z	T8 lamp	G13	593x593x77	M600	5,4
30-023/436/[1][2]	4x36W	A,B,C,D,J,X,Z	T8 lamp	G13	1193x593x85	M600	12,5

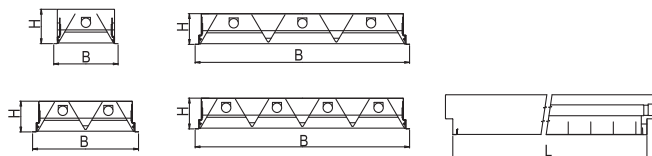
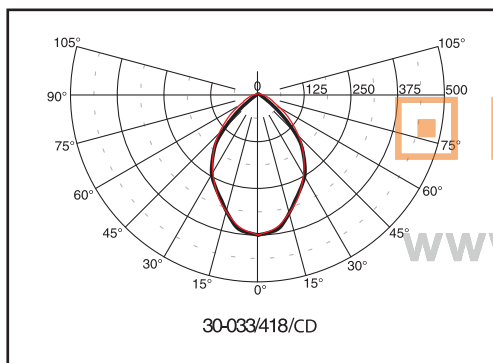


- [1] - E (low loss ballast)
- C (electronic ballast)

- [2] - A (white louvre)
- B (highly polished parabolic louvre, 60°)
- C (matted parabolic louvre, 60°)
- D (polished christmas tree louvre)

- J (matted christmas tree louvre)
- X (prismatic cover)
- Z (opaline cover)

## Recessed luminaires - universal mounting M625



### Material:

- body: a steel sheet finished by powder technology varnishing
- color: white RAL 9003
- louvre: highly polished or matted double parabolic, polished or matted christmas tree louvre white louvre
- diffuser: prismatic cover, opaline cover

Degree of protection: IP 20

Rated voltage: 230V/50Hz

Control gear: low loss ballast or electronic ballast, dimmable ballast by request; the luminaires are offered also in emergency version

Mounting: universal mounting in ceiling systems M625, in plaster ceilings, in ALU-panel ceilings (only for one-lamp luminaires)

Accessories: steel holders (must be ordered separately)

99-294 in ALU-panel ceilings (4pcs)

99-298 in ceiling systems (4pcs)

99-299 in plaster ceilings (4pcs)

Application: representative offices, conference and lecture halls, department stores, corridors

- 1 - E (low loss ballast)  
- C (electronic ballast)

- 2 - A (white louvre)  
- B (highly polished parabolic louvre, 60°)  
- C (matted parabolic louvre, 60°)  
- D (polished christmas tree louvre)  
- I (highly polished asymmetric reflector, only for one lamp luminaires 36, 58 W)  
- J (matted christmas tree louvre)  
- X (prismatic cover)  
- Z (opaline cover)

Code	Power	Louvre	Lamp	Cap	LxBxH (mm)	Module	Hole cut out (mm)	Kg
30-033/118/1 2	1x18W	A,B,C,D,J,X,Z	T8 lamp	G13	623x211x90	M625	580x158	2,5
30-033/136/1 2	1x36W	A,B,C,D,I,J,X,Z	T8 lamp	G13	1246x211x90	M625	1175x158	3,6
30-033/158/1 2	1x58W	A,B,C,D,I,J,X,Z	T8 lamp	G13	1546x211x90	M625	1475x158	5,1
30-033/218/1 2	2x18W	A,B,C,D,J,X,Z	T8 lamp	G13	623x311x90	M625	580x275	3,3
30-033/236/1 2	2x36W	A,B,C,D,J,X,Z	T8 lamp	G13	1246x311x90	M625	1175x275	6,0
30-033/258/1 2	2x58W	A,B,C,D,J,X,Z	T8 lamp	G13	1546x311x90	M625	1475x275	9,2
30-033/318/1 2	3x18W	A,B,C,D,J,X,Z	T8 lamp	G13	620x620x77	M625	615x580	4,9
30-033/336/1 2	3x36W	A,B,C,D,J,X,Z	T8 lamp	G13	1246x622x90	M625	1175x580	9,8
30-033/418/1 2	4x18W	A,B,C,D,J,X,Z	T8 lamp	G13	623x622x90	M625	580x580	5,7
30-033/436/1 2	4x36W	A,B,C,D,J,X,Z	T8 lamp	G13	1246x622x90	M625	1175x580	12,5

## Recessed luminaires

30-05, 30-09, 30-65 | virgo



### Material:

- body: a steel sheet finished by powder technology varnishing
- color: white RAL 9003
- louvre: highly polished double parabolic louvre, polished christmas tree louvre

Degree of protection: IP 20

Rated voltage: 230V/50Hz

Control gear: low loss ballast or electronic ballast

### Mounting:

30-053 – ceiling modules M600 - inlay mounting

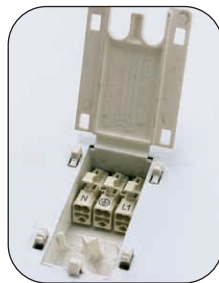
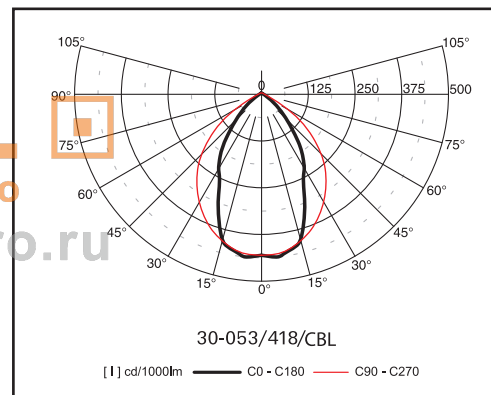
30-093 – ceiling modules M625 - universal mounting, mounting

in plaster ceilings (set of 4pcs universal holders 99-285 is supplied with luminaire)

30-653 – ceiling modules M610 - inlay mounting

**Application:** representative offices,  
conference and lecture halls,  
department stores, boutiques, corridors

**MODULO**  
**ELECTRO**  
www.modulelectro.ru



If requested the luminaires can be equipped with connector Isodom or Wieland.

30-T53 – the luminaire is equipped with Isodom connector

30-V53 – the luminaire is equipped with 3-pole connector Wieland

30-W53 – the luminaire is equipped with 5-pole connector Wieland

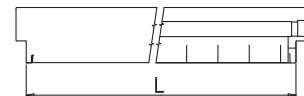
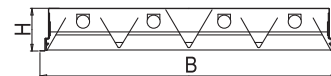
Code	Power	Louvre	Lamp	Hole cut out	Cap	LxBxH (mm)	Module	Kg
30-053/418/[1]BL	4x18W	BL	T8 lamp	-	G13	593x593x77	M600	5,4
30-093/418/[1][2]	4x18W	BL,DL	T8 lamp	573x573	G13	622x622x90	M625	5,4
30-653/418/[1][2]	4x18W	BL,DL	T8 lamp	-	G13	605x605x77	M610	5,4


[1] - E (low loss ballast)

- C (electronic ballast)

[2] - BL (highly polished parabolic louvre, lower quantity of lamellae)

- DL (polished christmas tree louvre, lower quantity of lamellae)





**MODUL**  
ELECTRO  
[www.modulelectro.ru](http://www.modulelectro.ru)



## Recessed luminaires - compact fluorescent lamps



### Material:

- body: a steel sheet finished by powder technology varnishing
- color: white RAL 9003
- louvre: a highly polished or matted parabolic louvre made of an aluminium sheet, polished or matted christmas tree louvre
- diffuser: prismatic cover

Degree of protection: IP 20

Rated voltage: 230V/50Hz

Control gear: low loss ballast or electronic ballast, dimmable ballast by request

### Mounting:

ceiling modules M600 - inlay mounting (31-02)

ceiling modules M625 - universal mounting (31-03)

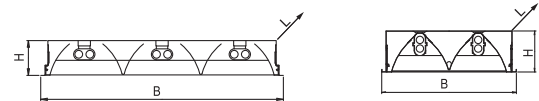
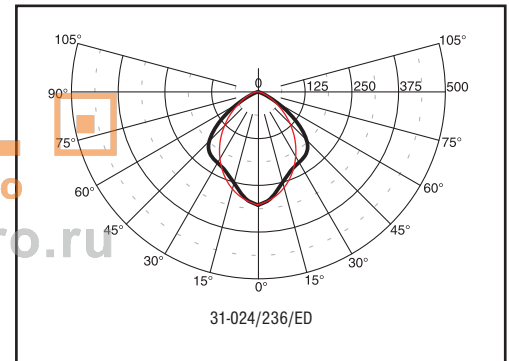
plaster ceilings (31-03)

### Accessories: (must be ordered separately)

99-298 - holders for mounting in panel ceiling (4pcs)

99-299 - holders for mounting in plaster ceiling (4pcs)

**Application:** representative offices, conference and lecture halls, computer labs, department stores, boutiques, corridors



Code	Power	Louvre	Lamp	Cap	LxBxH (mm)	Module	Hole cut out (mm)	Kg
31-024/236/1-2	2x36W	B,C,D,J,X	comp. fl. lamp	2G11	593x293x85	M600	-	3,5
31-024/255/C-2	2x55W	B,C,D,J,X	comp. fl. lamp	2G11	593x293x85	M600	-	3,0
31-024/336/1-2	3x36W	B,C,D,J,X	comp. fl. lamp	2G11	593x593x85	M600	-	6,6
31-024/355/C-2	3x55W	B,C,D,J,X	comp. fl. lamp	2G11	593x593x85	M600	-	6,0
31-034/218/1-2	2x18W	B,C,D,J,X	comp. fl. lamp	2G11	312x312x95	M625	295x295	3,1
31-034/236/1-2	2x36W	B,C,D,J,X	comp. fl. lamp	2G11	623x312x90	M625	575x275	3,5
31-034/255/C-2	2x55W	B,C,D,J,X	comp. fl. lamp	2G11	623x312x90	M625	575x275	3,0
31-034/336/1-2	3x36W	B,C,D,J,X	comp. fl. lamp	2G11	623x622x90	M625	575x575	6,6
31-034/355/C-2	3x55W	B,C,D,J,X	comp. fl. lamp	2G11	623x622x90	M625	575x575	6,0

1 - E (low loss ballast)

- C (electronic ballast)

2 - B (highly polished parabolic louvre)

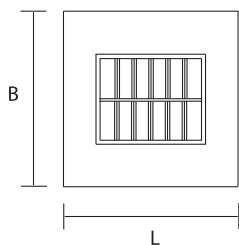
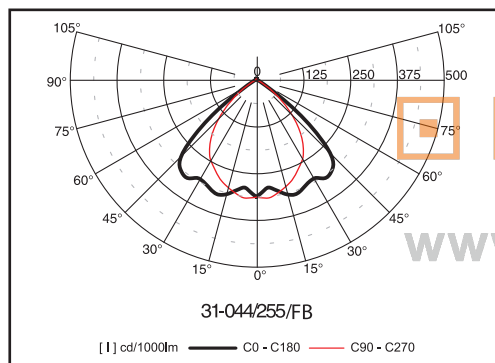
- C (matted parabolic louvre)

- D (polished christmas tree louvre)

- J (matted christmas tree louvre)

- X (prismatic cover)

# stella | 31-04, 31-05



## Recessed luminaires - compact fluorescent lamps



### Material:

- body: the cover framework is made of a steel sheet finished by powder technology varnishing; the lamp box is made of self-extinguishing UV stabilized polycarbonate
- color: white RAL 9003
- louvre: highly polished or matted parabolic louvre made of an aluminium sheet, matted christmas tree louvre (only for 2x36W)
- reflector: injection-molded, self-extinguishing UV stabilized polycarbonate, the high reflection rate was achieved by vacuum coated aluminium which together with the parabolic shape guarantees optimal distribution of the luminous flux

Degree of protection: IP 20

Rated voltage: 230V/50Hz

Control gear: electronic ballast, dimmable ballast by request

### Mounting:

- ceiling systems M600 - inlay mounting (31-04)
- ceiling systems M625 - inlay mounting (31-05)

Application: representative offices, conference and lecture halls, computer labs, department stores, boutiques, corridors

Code	Power	Louvre	Lamp	Cap	LxBxH (mm)	Module	Kg
31-044/224/C [2]	2x24W	B, C	comp. fl. lamp	2G11	596x596x120	M600	4,2
31-044/236/C [2]	2x36W	B, C, J	comp. fl. lamp	2G11	596x596x110	M600	4,2
31-054/224/C [2]	2x24W	B, C	comp. fl. lamp	2G11	622x622x120	M625	4,8
31-054/236/C [2]	2x36W	B, C, J	comp. fl. lamp	2G11	622x622x110	M625	4,8

- [2] - B (highly polished parabolic louvre)  
 - C (matted parabolic louvre)  
 - J (matted christmas tree louvre)

## Recessed luminaires - compact fluorescent lamps



### Material:

- body: the cover framework is made of a steel sheet finished by powder technology varnishing; the gear box part is made of galvanized steel sheet
- color: white RAL 9003
- louvre: highly polished parabolic louvre made of an aluminium sheet, polished christmas tree louvre
- reflector: made of pure aluminium sheet which guarantees high efficiency of the luminaire

Degree of protection: IP 20

Rated voltage: 230V/50Hz

Control gear: low loss ballast with parallel compensation or electronic ballast, dimmable ballast by request

### Mounting:

- ceiling systems M600 - inlay mounting
- ceiling systems M600 - below mounting (see Accessories)
- plaster ceilings (see Accessories)

### Accessories: (must be ordered separately)

99-291 a set of holders for the below mounting in ceiling systems M600

99-292 a set of holders for the mounting in plaster ceilings

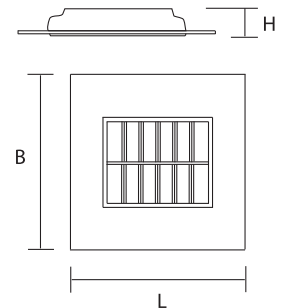
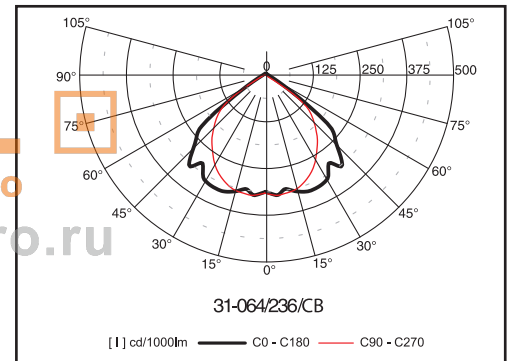
**Application:** representative offices, conference and lecture halls, computer labs, department stores, boutiques, corridors

The luminaires 31-96 are supplied with lamps.

Code	Power	Louvre	Lamp	Cap	LxBxH (mm)	Module	Kg
31-064/236/1 2	2x36W	B, D	comp. fl. lamp	2G11	596x596x100	M600	5,0
31-964/236/1 2	2x36W	B, D	comp. fl. lamp	2G11	596x596x100	M600	5,3

- 1 - E (low loss ballast)  
- C (electronic ballast)

- 2 - B (highly polished parabolic louvre)  
- D (polished christmas tree louvre)





**MODUL**  
ELECTRO

[www.modulelectro.ru](http://www.modulelectro.ru)

Alliantz

## Recessed luminaires - T5 lamps - M600

29-023 | Iyra



### Material:

- body: a steel sheet finished by powder technology varnishing
- color: white RAL 9003
- louvre: highly polished parabolic louvre

Degree of protection: IP 20

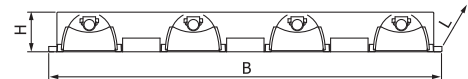
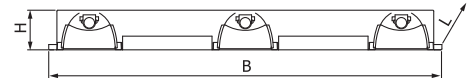
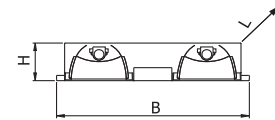
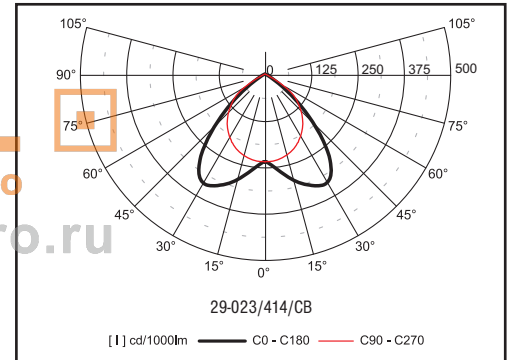
Rated voltage: 230V/50Hz

Control gear: electronic ballast, the luminaires are offered also in emergency version

Mounting: in ceiling system M600 - inlay mounting

Application: computer labs, large and small offices, lecture halls, stairways and halls

**MODUL**  
ELECTRO  
www.modulelectro.ru

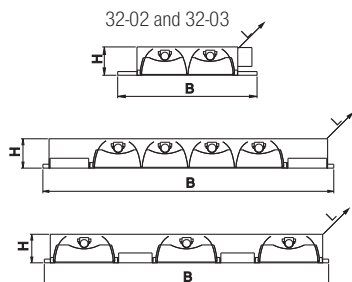
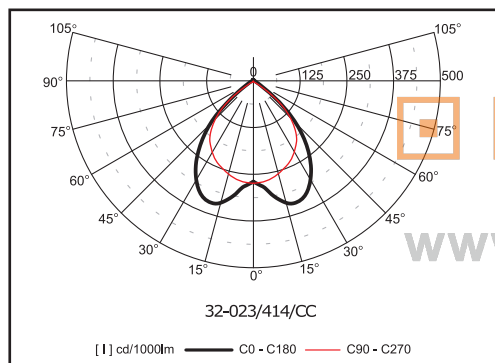


Code	Power	Lamp	Cap	LxBxH (mm)	Kg
29-023/228/CB	2x28W	T5	G5	1195x295x55	4,3
29-023/254/CB	2x54W	T5	G5	1195x295x55	4,3
29-023/314/CB	3x14W	T5	G5	595x595x55	4,2
29-023/414/CB	4x14W	T5	G5	595x595x55	4,2

Luminaires with 3x24W, 4x24W by request.

# lyra | 32-02, 32-03

## Recessed luminaires - T5 lamps



Luminaires with 24W or 54W T5 lamps by request

- ▣ - B (highly polished parabolic louvre, 60°)
- C (matted parabolic louvre, 60°)
- D (polished christmas tree louvre)
- J (matted christmas tree louvre)

### Material:

- body: a steel sheet finished by powder technology varnishing
- color: white RAL 9003
- louvre: highly polished or matted parabolic louvre made of a pure aluminium sheet MIRO, polished or matted christmas tree louvre

Degree of protection: IP 20

Rated voltage: 230V/50Hz

Control gear: electronic ballast, dimmable ballast by request; the luminaires are offered also in emergency version

### Mounting:

ceiling systems M600 - universal mounting (32-02)

ceiling systems M625 - universal mounting (32-03), mounting in plaster ceilings

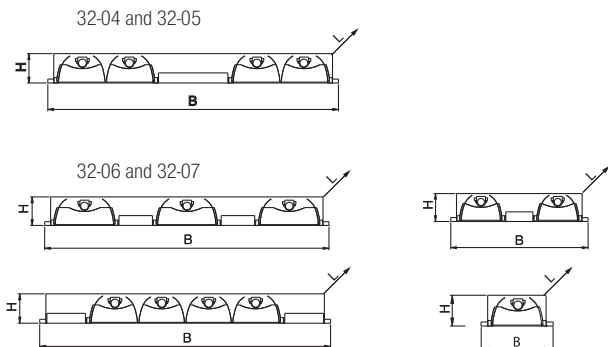
Accessories: (must be ordered separately)

99-298 - holders for mounting in panel and plaster ceiling systems (4pcs)

Application: computer labs, large and small offices, lecture halls, stairways and halls

Code	Power	Louvre	Lamp	Cap	LxBxH (mm)	Hole cut out (mm)	Module	Kg
32-023/214/C ▣	2x14W	B, C, D, J	T5 lamp	G5	595x295x60	575x218	M 600	3,0
32-023/228/C ▣	2x28W	B, C, D, J	T5 lamp	G5	1195x295x60	1175x218	M 600	5,8
32-023/314/C ▣	3x14W	B, C, D, J	T5 lamp	G5	595x595x60	575x575	M 600	5,0
32-023/328/C ▣	3x28W	B, C, D, J	T5 lamp	G5	1195x595x60	1175x575	M 600	8,5
32-023/414/C ▣	4x14W	B, C, D, J	T5 lamp	G5	595x595x60	575x575	M 600	5,0
32-023/428/C ▣	4x28W	B, C, D, J	T5 lamp	G5	1195x595x60	1175x575	M 600	8,5
32-033/214/C ▣	2x14W	B, C, D, J	T5 lamp	G5	620x308x60	575x218	M 625	3,0
32-033/228/C ▣	2x28W	B, C, D, J	T5 lamp	G5	1245x308x60	1175x218	M 625	5,8
32-033/314/C ▣	3x14W	B, C, D, J	T5 lamp	G5	620x620x60	575x575	M 625	5,0
32-033/328/C ▣	3x28W	B, C, D, J	T5 lamp	G5	1245x620x60	1175x575	M 625	8,5
32-033/414/C ▣	4x14W	B, C, D, J	T5 lamp	G5	620x620x60	575x575	M 625	5,0
32-033/428/C ▣	4x28W	B, C, D, J	T5 lamp	G5	1245x620x60	1175x575	M 625	8,5

# Recessed luminaires - T5 lamps 32-04, 32-05, 32-06, 32-07 | Iyra



## Material:

- body: a steel sheet finished by powder technology varnishing
- color: white RAL 9003
- louvre: highly polished or matted parabolic louvre made of a pure aluminium sheet MIRO

Degree of protection: IP 20

Rated voltage: 230V/50Hz

Control gear: electronic ballast, dimmable ballast by request;

the luminaires are offered also in emergency version

## Mounting:

in ceiling systems M600 - universal mounting (32-04, 32-06)

in ceiling systems M625 - universal mounting (32-05, 32-07) and mounting in plaster ceilings

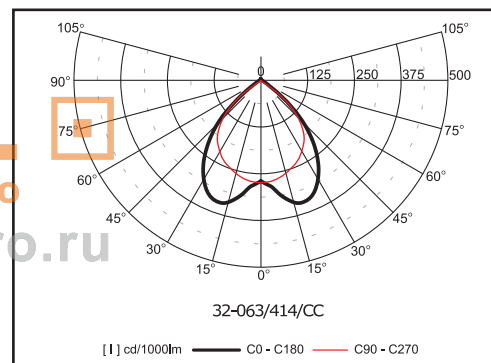
Accessories: (must be ordered separately)

99-298 - holders for mounting in panel and plaster ceiling systems (4pcs)

Application: computer labs, large and small offices, lecture halls, stairways and halls

Luminaires 32-06 and 32-07 are designed with perforated stripes.

**MODUL**  
**ELECTRO**  
www.modulelectro.ru



Code	Power	Louvre	Lamp	Cap	LxBxH (mm)	Hole cut out (mm)	module	Kg
32-043/414/C [2]	4x14W	B, C, D, J	T5 lamp	G5	595x595x60	575x575	M 600	5,0
32-043/428/C [2]	4x28W	B, C, D, J	T5 lamp	G5	1195x595x60	1175x575	M 600	8,5
32-053/414/C [2]	4x14W	B, C, D, J	T5 lamp	G5	620x620x60	575x575	M 625	5,0
32-053/428/C [2]	4x28W	B, C, D, J	T5 lamp	G5	1245x620x60	1175x575	M 625	8,5
32-063/128/C [2]	1x28W	B, C	T5 lamp	G5	1195x135x60	1175x120	M 600	4,1
32-063/228/C [2]	2x28W	B, C	T5 lamp	G5	1195x295x60	1175x218	M 600	5,8
32-063/314/C [2]	3x14W	B, C	T5 lamp	G5	595x595x60	575x575	M 600	5,0
32-063/414/C [2]	4x14W	B, C	T5 lamp	G5	595x595x60	575x575	M 600	5,0
32-073/128/C [2]	1x28W	B, C	T5 lamp	G5	1245x150x60	1175x120	M 625	4,1
32-073/228/C [2]	2x28W	B, C	T5 lamp	G5	1245x308x60	1175x218	M 625	5,8
32-073/314/C [2]	3x14W	B, C	T5 lamp	G5	620x620x60	575x575	M 625	5,0
32-073/414/C [2]	4x14W	B, C	T5 lamp	G5	620x620x60	575x575	M 625	5,0

Luminaires with 24W or 54W T5 lamps by request.

- [2] - B (highly polished parabolic louvre)  
 - C (matted parabolic louvre)  
 - D (polished christmas tree louvre)  
 - J (matted christmas tree louvre)

# carella | 34-00, 34-09



## Recessed luminaires - direct/indirect



### Material:

- body: a steel sheet finished by powder technology varnishing
- color: white RAL 9003
- reflector: white or matted aluminium sheet
- diffuser: finely perforated white steel sheet with diffusing sheet

Degree of protection: IP 20

Rated voltage: 230V/50Hz

Control gear: electronic ballast, dimmable ballast by request

### Mounting:

34-00 - ceiling modules M600 (universal mounting)

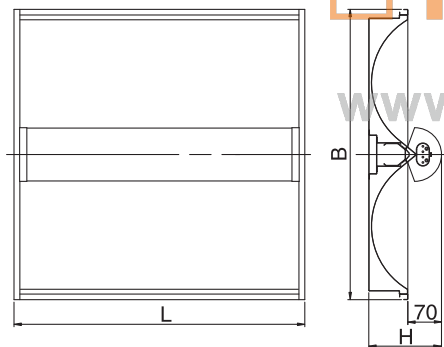
34-09 - ceiling modules M625 (universal mounting) and mounting in plaster ceilings

### Accessories: (must be ordered separately)

99-298 - holders for mounting in panel ceilings (4pcs)

99-299 - holders for mounting in plaster ceilings (4pcs)

**Application:** receptions, corridors, shops and boutiques, restaurants, counters, computer labs, representative offices, public areas



Code	Power	Lamp	Cap	LxBxH (mm)	Module	Kg
34-004/155/C <sup>2</sup>	1x55W	comp. fl. lamp	2G11	595x595x149	M 600	6,2
34-003/214/C <sup>2</sup>	2x14W	T5 lamp	G5	595x595x149	M 600	6,2
34-094/155/C <sup>2</sup>	1x55W	comp. fl. lamp	2G11	622x622x149	M 625	6,2
34-093/214/C <sup>2</sup>	2x14W	T5 lamp	G5	622x622x149	M 625	6,2

Luminaires with 24W T5 lamps by request.

- <sup>2</sup> - A - white aluminium reflector  
- C - matted aluminium reflector



## Recessed luminaires - direct/indirect



### Material:

- body: a steel sheet finished by powder technology varnishing
- color: white RAL 9003
- reflector: white or matted aluminium sheet
- diffuser: finely perforated white steel sheet with diffusing sheet

Degree of protection: IP 20

Rated voltage: 230V/50Hz

Control gear: low loss ballast or electronic ballast, dimmable ballast by request

### Mounting:

34-02 - ceiling systems M600, inlay mounting

34-04 - ceiling systems M625, plaster ceilings

### Accessories: (must be ordered separately)

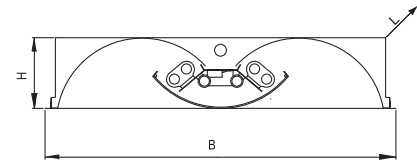
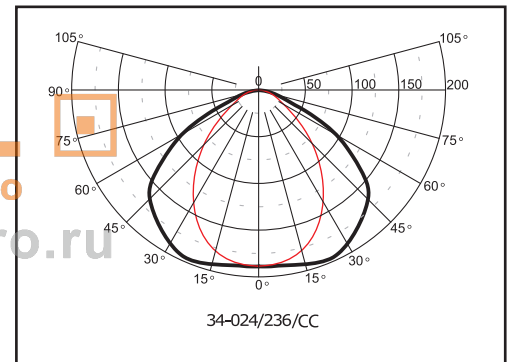
99-298 - holders for mounting in panel ceilings (4pcs)

99-299 - holders for mounting in plaster ceilings (4pcs)

**Application:** receptions, corridors, hops and boutiques, restaurants, counters, computer labs, representative offices, public areas

**MODULO**  
**ELECTRO**

www.modulelectro.ru



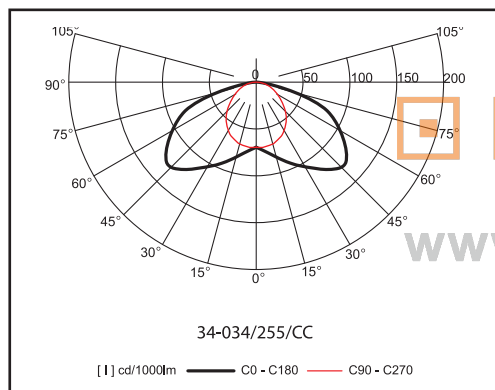
Code	Power	Lamp	Cap	LxBxH (mm)	Module	Hole cut out (mm)	Kg
34-024/236/12	2x36W	comp. fl. lamp	2G11	594x593x120	M 600	-	6,3
34-024/255/C2	2x55W	comp. fl. lamp	2G11	594x593x120	M 600	-	5,5
34-044/236/12	2x36W	comp. fl. lamp	2G11	623x622x120	M 625	575x575	6,3
34-044/255/C2	2x55W	comp. fl. lamp	2G11	623x622x120	M 625	575x575	5,5

1 - E (low loss ballast)  
- C (electronic ballast)

2 - A - white aluminium reflector  
- C - matted aluminium reflector

# carella | 34-03, 34-05

## Recessed luminaires - direct/indirect



### Material:

- body: a steel sheet finished by powder technology varnishing
- color: white RAL 9003
- reflector: white or matted aluminium sheet
- diffuser: finely perforated steel sheet with diffusing sheet

Degree of protection: IP 20

Rated voltage: 230V/50Hz

Control gear: low loss ballast or electronic ballast; dimmable ballast by request

### Mounting:

34-03 - in ceiling systems M600, inlay mounting

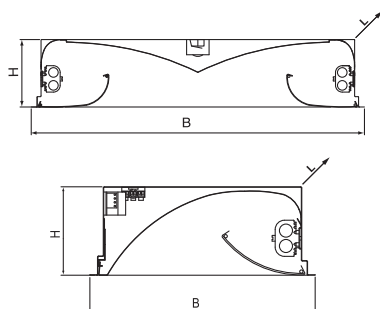
34-05 - in ceiling systems M625, in plaster ceilings

### Accessories: (must be ordered separately)

99-298 - holders for mounting in panel ceilings (4pcs)

99-299 - holders for mounting in plaster ceilings (4pcs)

Application: receptions, corridors, counters, computer labs



Code	Power	Lamp	Cap	LxBxH (mm)	Module	Hole cut out (mm)	Kg
34-034/236/1 2	2x36W	comp. fl. lamp	2G11	594x593x120	M 600	-	6,3
34-034/255/C 2	2x55W	comp. fl. lamp	2G11	594x593x120	M 600	-	5,5
34-034/155/C 2	1x55W	comp. fl. lamp	2G11	594x293x115	M 600	-	3,8
34-054/236/1 2	2x36W	comp. fl. lamp	2G11	623x622x120	M 625	575x575	6,5
34-054/255/C 2	2x55W	comp. fl. lamp	2G11	623x622x120	M 625	575x575	6,0
34-054/155/C 2	1x55W	comp. fl. lamp	2G11	623x310x115	M 625	580x280	4,2

1 - E (low loss ballast)  
- C (electronic ballast)

2 - A - white aluminium reflector  
- C - matted aluminium reflector

## Recessed luminaires - direct/indirect

# 34-06, 34-07 | carella



### Material:

- body: a steel sheet finished by powder technology varnishing
- color: white RAL 9003
- reflector: white or matted aluminium sheet
- louvre: a highly polished or matted parabolic louvre made of a pure aluminium sheet - Mirror

Degree of protection: IP 20

Rated voltage: 230V/50Hz

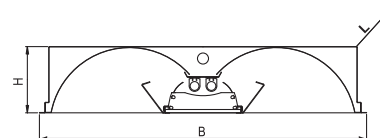
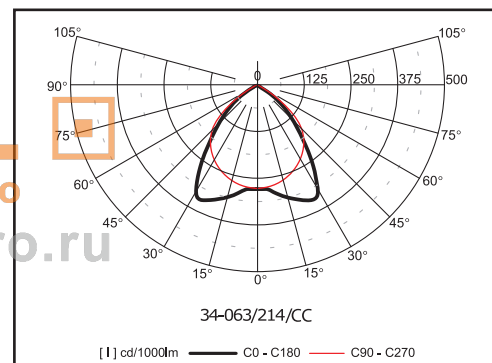
Control gear: electronic ballast, dimmable ballast by request

Mounting: ceiling systems M600 - inlay mounting

Application: computer labs, corridors, counters, representative offices, public areas

34-06 - one louvre in the centre of luminaire

34-07 - two louvres in the centre of luminaire



Code	Power	Lamp	Cap	LxBxH (mm)	Module	Kg
34-063/214/C <sup>2</sup> <sub>3</sub>	2x14W	T5 lamp	G5	594x593x120	M 600	6,0
34-063/228/C <sup>2</sup> <sub>3</sub>	2x28W	T5 lamp	G5	1194x593x120	M 600	8,6
34-064/155/C <sup>2</sup> <sub>3</sub>	1x55W	comp. fl. lamp	2G11	594x593x120	M 600	5,8
34-073/214/C <sup>2</sup> <sub>3</sub>	2x14W	T5 lamp	G5	594x593x120	M 600	6,0
34-073/224/C <sup>2</sup> <sub>3</sub>	2x24W	T5 lamp	G5	594x593x120	M 600	6,0
34-074/255/C <sup>2</sup> <sub>3</sub>	2x55W	comp. fl. lamp	2G11	594x593x120	M 600	6,0
34-073/228/C <sup>2</sup> <sub>3</sub>	2x28W	T5 lamp	G5	1194x593x120	M 600	8,6
34-073/254/C <sup>2</sup> <sub>3</sub>	2x54W	T5 lamp	G5	1194x593x120	M 600	8,6

Luminaires with 24W or 54W T5 lamps by request.

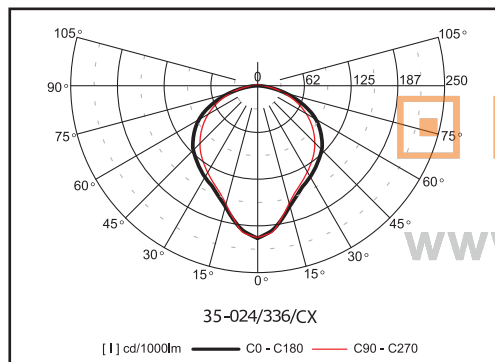
<sup>2</sup> - B (highly polished parabolic louvre)  
- C (matted parabolic louvre)

<sup>3</sup> - A - white aluminium reflector  
- C - matted aluminium reflector

# aries | 35-02



## Recessed luminaires IP54 - ceiling systems M600 - inlay mounting



### Material:

- body: a steel sheet finished by powder technology varnishing
- color: white RAL 9003
- cover: prismatic

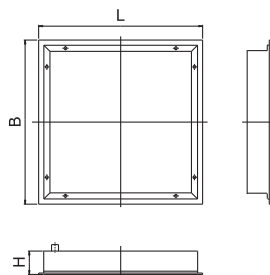
Degree of protection: IP 54

Rated voltage: 230V/50Hz

Control gear: low loss ballast or electronic ballast, dimmable ballast by request;  
the luminaires are offered also in emergency version

Mounting: inlay mounting into ceiling systems M600

Application: hospitals, laboratories, precincts demanding high sanitary codes,  
precincts with high rate of dustiness and humidity, operating theaters



Code	Power	Lamp	Cap	LxBxH (mm)	Module	Kg
35-023/236/□X	2x36W	T8 lamp	G13	1197x297x110	M600	4,7
35-023/418/□X	4x18W	T8 lamp	G13	595x595x122	M600	8,2
35-024/336/□X	3x36W	comp. fl. lamp	2G11	595x595x122	M600	7,8
35-024/355/CX	3x55W	comp. fl. lamp	2G11	595x595x122	M600	7,9
35-023/128/CX	1x28W	T5 lamp	G5	1197x297x110	M600	4,4
35-023/135/CX	1x35W	T5 lamp	G5	1497x297x110	M600	4,7
35-023/228/CX	2x28W	T5 lamp	G5	1197x297x100	M600	4,9
35-023/235/CX	2x35W	T5 lamp	G5	1497x297x110	M600	6,5
35-023/414/CX	4x14W	T5 lamp	G5	595x595x122	M600	8,2

□ - E (low loss ballast) - C (electronic ballast)

## Recessed luminaires IP54 - universal mounting



### Material:

- body: a steel sheet finished by powder technology varnishing
- color: white RAL 9003
- cover: prismatic

Degree of protection: IP 54

Rated voltage: 230V/50Hz

Control gear: low loss ballast or electronic ballast, dimmable ballast by request;  
the luminaires are offered also in emergency version

Mounting: universal mounting in panel ceilings M625 and in plaster ceilings

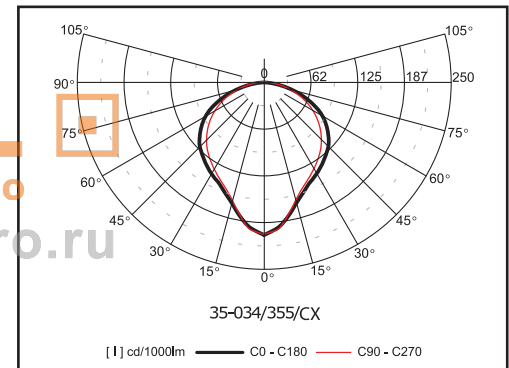
Accessories: steel holders (are components of the luminaires)

Application: hospitals, laboratories, precincts demanding high sanitary codes,  
precincts with high rate of dustiness and humidity, operating theaters

# MODUL

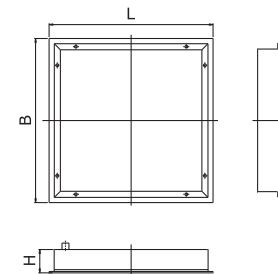
## ELECTRO

www.modulelectro.ru

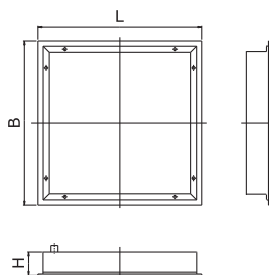
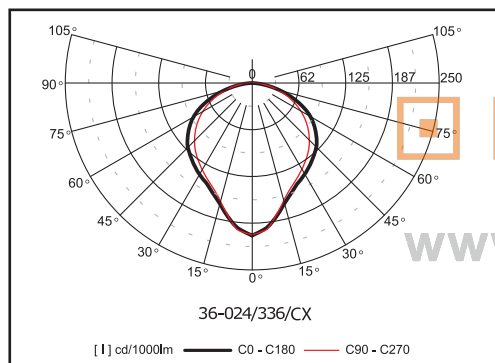


Code	Power	Lamp	Cap	LxBxH (mm)	Hole cut out (mm)	Module	Kg
35-033/136/□X	1x36W	T8 lamp	G13	1247x311x95	1215x297	M625	4,4
35-033/158/□X	1x58W	T8 lamp	G13	1547x311x95	1515x297	M625	4,7
35-033/236/□X	2x36W	T8 lamp	G13	1247x311x95	1215x297	M625	4,9
35-033/258/□X	2x58W	T8 lamp	G13	1547x311x95	1515x297	M625	5,4
35-033/418/□X	4x18W	T8 lamp	G13	622x622x95	591x608	M625	8,4
35-034/336/□X	3x36W	comp. fl. lamp	2G11	622x622x95	591x608	M625	7,9
35-034/355/CX	3x55W	comp. fl. lamp	2G11	622x622x95	591x608	M625	8,1
35-033/128/CX	1x28W	T5 lamp	G5	1247x311x95	1215x297	M625	4,4
35-033/135/CX	1x35W	T5 lamp	G5	1547x311x95	1515x297	M625	4,7
35-033/228/CX	2x28W	T5 lamp	G5	1247x311x95	1315x297	M625	4,9
35-033/235/CX	2x35W	T5 lamp	G5	1547x311x95	1515x297	M625	5,4
35-033/414/CX	4x14W	T5 lamp	G5	622x622x95	591x608	M625	8,4

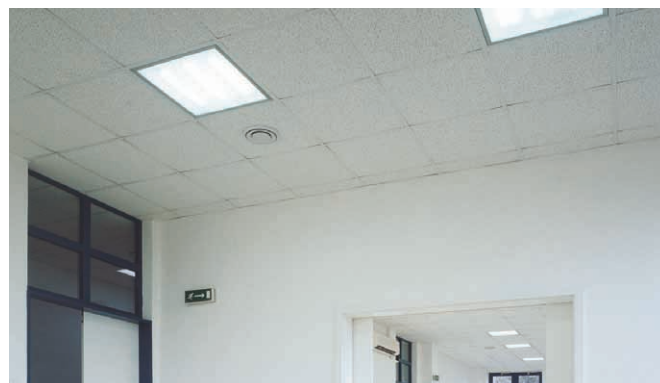
□ - E (low loss ballast) - C (electronic ballast)



# arietis | 36-02



## Recessed luminaires IP65 - ceiling systems M600 - inlay mounting



### Material:

- body: a steel sheet finished by powder technology varnishing
- color: white RAL 9003
- cover: prismatic

Degree of protection: IP 65

Rated voltage: 230V/50Hz

Control gear: low loss ballast or electronic ballast, dimmable ballast by request;  
the luminaires are offered also in emergency version

Mounting: ceiling systems M600 - inlay mounting

Application: hospitals, laboratories, precincts with high humidity and dustiness,  
precincts demanding high sanitary codes, operating theaters

Code	Power	Lamp	Cap	LxBxH (mm)	Module	Kg
36-023/236/□X	2x36W	T8 lamp	G13	1197x297x110	M600	7,5
36-023/418/□X	4x18W	T8 lamp	G13	595x595x122	M600	8,7
36-024/336/□X	3x36W	comp. fl. lamp	2G11	595x595x122	M600	8,0
36-024/355/CX	3x55W	comp. fl. lamp	2G11	595x595x122	M600	8,0
36-023/128/CX	1x28W	T5 lamp	G5	1197x297x100	M600	5,2
36-023/135/CX	1x35W	T5 lamp	G5	1497x297x100	M600	6,3
36-023/228/CX	2x28W	T5 lamp	G5	1197x297x110	M600	7,5
36-023/235/CX	2x35W	T5 lamp	G5	1497x297x100	M600	8,3
36-023/414/CX	4x14W	T5 lamp	G5	595x595x122	M600	8,2

□ - E (low loss ballast) - C (electronic ballast)

## Recessed luminaires IP65 - universal mounting



### Material:

- body: a steel sheet finished by powder technology varnishing
- color: white RAL 9003
- cover: prismatic

Degree of protection: IP 65

Rated voltage: 230V/50Hz

Control gear: low loss ballast or electronic ballast, dimmable ballast by request;  
the luminaires are offered also in emergency version

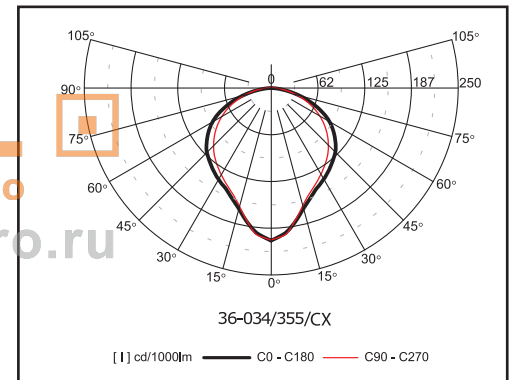
Mounting: ceiling systems M625 - universal mounting and mounting in plaster ceilings

Accessories: steel holders (are components of the luminaires)

Application: hospitals, laboratories, precincts with high humidity and dustiness,  
precincts demanding high sanitary codes, operating theaters

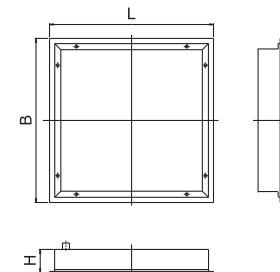
**MODUL**  
**ELECTRO**

www.modulelectro.ru

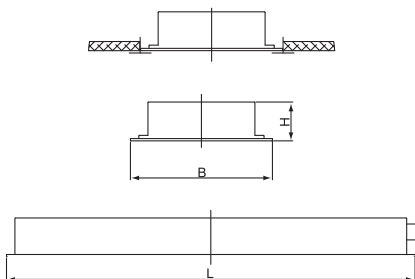
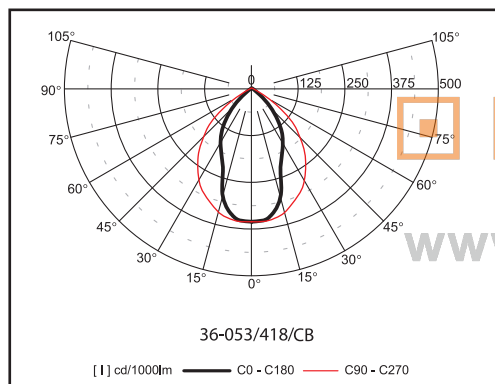


Code	Power	Lamp	Cap	LxBxH (mm)	Hole cut out (mm)	Module	Kg
36-033/136/□X	1x36W	T8 lamp	G13	1247x311x100	1215x297	M625	7,7
36-033/158/□X	1x58W	T8 lamp	G13	1547x311x100	1515x297	M625	8,2
36-033/236/□X	2x36W	T8 lamp	G13	1247x311x100	1215x297	M625	7,5
36-033/258/□X	2x58W	T8 lamp	G13	1547x311x100	1515x297	M625	9,0
36-033/418/□X	4x18W	T8 lamp	G13	622x622x122	591x608	M625	8,7
36-034/336/□X	3x36W	comp. fl. lamp	2G11	622x622x122	591x608	M625	8,1
36-034/355/CX	3x55W	comp. fl. lamp	2G11	622x622x122	591x608	M625	8,1
36-033/128/CX	1x28W	T5 lamp	G5	1247x311x100	1215x297	M625	7,7
36-033/135/CX	1x35W	T5 lamp	G5	1547x311x100	1515x297	M625	8,2
36-033/228/CX	2x28W	T5 lamp	G5	1247x311x100	1215x297	M625	7,5
36-033/235/CX	2x35W	T5 lamp	G5	1547x311x100	1515x297	M625	9,0
36-033/414/CX	4x14W	T5 lamp	G5	622x622x122	591x608	M625	8,7

□ - E (low loss ballast) - C (electronic ballast)



# arietis | 36-04, 36-05



□ - E (low loss ballast)  
- C (electronic ballast)

## Recessed luminaires IP65

- inlay mounting 36-04

- universal mounting 36-05



### Material:

- body: a steel sheet finished by powder technology varnishing
- color: white RAL 9003
- louvre: highly polished parabolic louvre
- cover: safety hardened glass

Degree of protection: IP 65

Rated voltage: 230V/50Hz

Control gear: low loss ballast or electronic ballast, dimmable ballast by request; the luminaires are offered also in emergency version

Mounting: ceiling systems M600 - inlay mounting (36-04); ceiling systems M625 - inlay mounting and mounting in plaster ceilings (36-05)

Accessories: steel holders (are components of the luminaire - for 36-05)

Application: chemical laboratories, precincts with high humidity and dustiness, hospitals, precincts demanding high sanitary codes

Code	Power	Lamp	Cap	LxBxH (mm)	Hole cut out	Module	Kg
36-043/236/□ BT	2x36W	T8 lamp	G13	1197x297x100	-	M600	8,7
36-043/418/□ BT	4x18W	T8 lamp	G13	595x595x122	-	M600	10,1
36-043/128/CBT	1x28W	T5 lamp	G5	1197x297x110	-	M600	8,7
36-043/135/CBT	1x35W	T5 lamp	G5	1497x297x100	-	M600	12,5
36-043/228/CBT	2x28W	T5 lamp	G5	1197x297x100	-	M600	8,7
36-043/235/CBT	2x35W	T5 lamp	G5	1497x297x100	-	M600	12,5
36-043/414/CBT	4x14W	T5 lamp	G5	595x595x122	-	M600	10,1
36-044/336/□ BT	3x36W	comp. fl. lamp	2G11	595x595x122	-	M600	8,9
36-044/355/C BT	3x55W	comp. fl. lamp	2G11	595x595x122	-	M600	8,9
36-053/236/□ BT	2x36W	T8 lamp	G13	1247x311x100	1215x297	M625	8,7
36-053/418/□ BT	4x18W	T8 lamp	G13	622x622x122	591x608	M625	10,1
36-053/128/CBT	1x28W	T5 lamp	G5	1247x311x100	1215x297	M625	8,7
36-053/135/CBT	1x35W	T5 lamp	G5	1547x311x100	1515x297	M625	12,5
36-053/228/CBT	2x28W	T5 lamp	G5	1247x311x100	1215x297	M625	8,7
36-053/235/CBT	2x35W	T5 lamp	G5	1547x311x100	1515x297	M625	12,5
36-053/414/CBT	4x14W	T5 lamp	G5	622x622x122	591x608	M625	10,1
36-054/336/□ BT	3x36W	comp. fl. lamp	2G11	622x622x122	591x608	M625	8,9
36-054/355/C BT	3x55W	comp. fl. lamp	2G11	622x622x122	591x608	M625	8,9



## Recessed luminaires into the wall



### Material:

- body: a steel sheet finished by powder technology varnishing
- color: structured metallic gray
- reflector: matted reflector made of aluminium sheet, asymmetric
- diffuser: tempered glass

Degree of protection: IP 20

Rated voltage: 230V/50Hz

Control gear: standard ballast, low loss ballast or electronic ballast

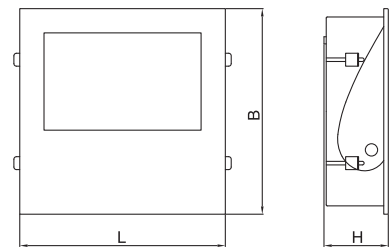
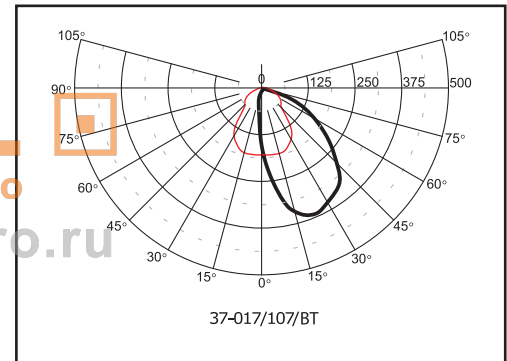
Mounting: recessed into the wall

Accessories: box for recessed mounting into the wall and set of 4pcs holders  
(are components of the luminaires)

Application: vestibules, corridors and stairways, galleries, museums

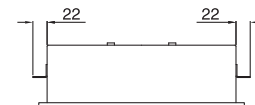
**MODULO**  
**ELECTRO**

www.modulelectro.ru

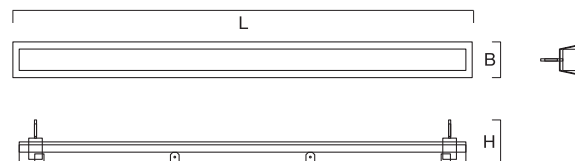
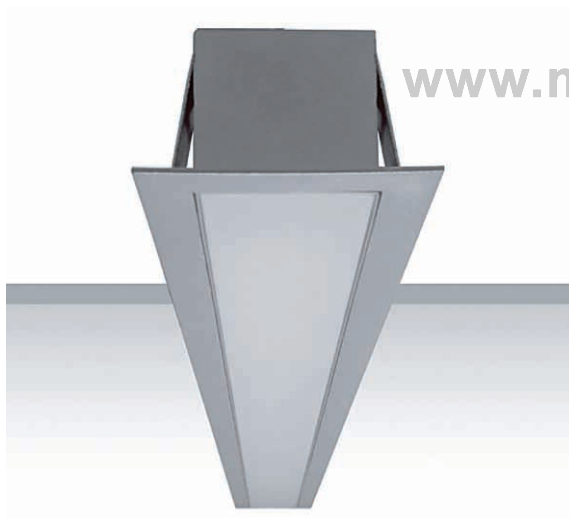
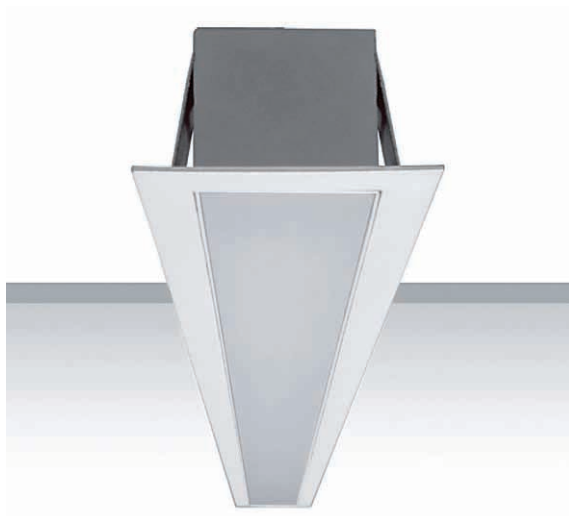


Code	Power	Lamp	Cap	LxBxH (mm)	Hole cut out (mm)	Kg
37-012/120/+T	1x200W	halogen lamp	R7s	318x318x100	300x300	4,1
37-014/118/□T	1x18W	compact fl. lamp	G24d(q)-2	318x318x100	300x300	4,2
37-014/126/□T	1x26W	compact fl. lamp	G24d(q)-3	318x318x100	300x300	4,2
37-017/107/BT	1x70W	metal halide lamp	RX7s	318x318x100	300x300	4,7
37-017/115/BT	1x150W	metal halide lamp	RX7s-24	318x318x168	300x300	4,8

□ - E (low loss ballast) - C (electronic ballast)



## Recessed luminaires



### Material:

- body: is made of aluminium profile
- diffuser: opaline
- frame: white (other RAL colours on request)

Degree of protection: IP 20

Rated voltage: 230V/50Hz

Control gear: electronic ballast

Mounting: mounting in plaster ceilings  
(holders for plaster ceiling are supplied with luminaire)

Application: reception desks, entry halls, shops, hotels,  
corridors and stairways, restaurants

Code	Power	Lamp	Cap	Hole cut out (mm)	LxBxH (mm)	Kg
69-003/114/C	1x14W	T5 lamp	G5	50x582	620x97x114,5	1,4
69-003/124/C	1x24W	T5 lamp	G5	50x582	620x97x114,5	1,4
69-003/121/C	1x21W	T5 lamp	G5	50x882	920x97x114,5	1,7
69-003/139/C	1x39W	T5 lamp	G5	50x882	920x97x114,5	1,7
69-003/128/C	1x28W	T5 lamp	G5	50x1182	1220x97x114,5	2,0
69-003/154/C	1x54W	T5 lamp	G5	50x1182	1220x97x114,5	2,0
69-003/135/C	1x35W	T5 lamp	G5	50x1482	1520x97x114,5	2,3
69-003/149/C	1x49W	T5 lamp	G5	50x1482	1520x97x114,5	2,3
69-003/180/C	1x80W	T5 lamp	G5	50x1482	1520x97x114,5	2,3



**MODUL**  
ELECTRO

[www.modul-electro.ru](http://www.modul-electro.ru)



**MODUL**

EL **Decorative luminaires**

[www.modulelectro.ru](http://www.modulelectro.ru)



Beghelli



Castelo 66-05 86



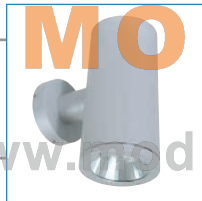
Castelo 66-07 87



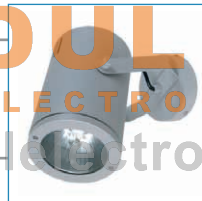
Castelo 66-08 88



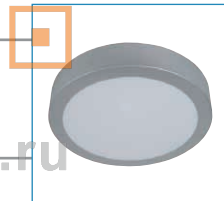
Granit 55-012 89



Sabik 72-00 90



Sorento 72-01 91



Korona 72-02 92



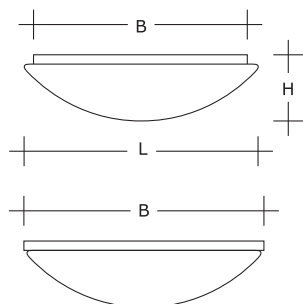
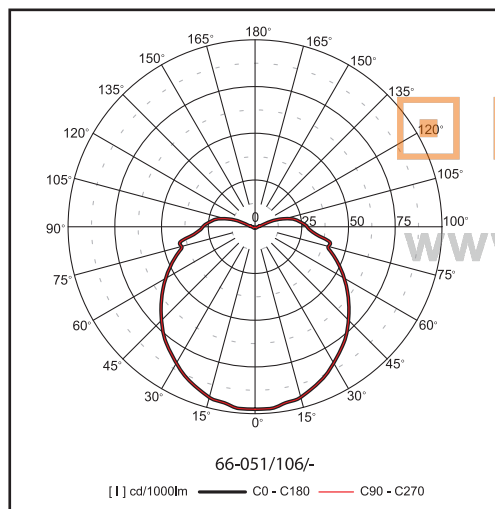
Lotus 72-94 93



Tageta 78-00 94



Tania 78-01 95



### Material:

- glass: blowing by hand, three-layers
- color: white-opal
- body: steel sheet white painted
- collar: made by steel white coated or brass or chrome painted or stainless steel plate

Degree of protection: IP 20/ IP 44

Rated voltage: 230V/50Hz

Control gear: low loss ballast or electronic ballast; variant with incandescent lamp or reflector lamp - without the control gear

Mounting: on a ceiling or wall

Application: reception desks, corridors, entry halls, restaurants, conference rooms

Code IP20	Code IP44	Power	Cap	LxBxH (mm)	Kg
66-051/106/+	-	A 1x60W	E 27	250x190x115	1,1
66-051/110/+	66-451/110/+	A 1x100W	E 27	280x240x125	1,3
66-051/207/+	66-451/207/+	A 2x75W	E 27	415x370x125	3,1
66-054/113/□	-	TC-DEL 1x13W	G24d(q)-1	250x190x115	1,6
66-054/213/□	66-454/213/C	TC-DEL 2x13W	G24d(q)-1	280x240x125	2,2
66-054/226/□	66-454/226/C	TC-DEL 2x26W	G24d(q)-3	415x370x125	4,4
66-051/106/++++□	-	A 1x60W	E 27	250x260x120	1,3
66-051/110/++++□	66-451/110/++++□	A 1x100W	E 27	280x290x125	1,4
66-051/207/++++□	66-451/207/++++□	A 2x75W	E 27	415x430x125	3,8
66-054/113/□++++□	-	TC-DEL 1x13W	G24d(q)-1	250x260x120	1,6
66-054/213/□++++□	66-454/213/C+++□	TC-DEL 2x13W	G24d(q)-1	280x290x125	2,4
66-054/226/□++++□	66-454/226/C+++□	TC-DEL 2x26W	G24d(q)-3	415x430x125	3,8

□ - C (electronic ballast), - D (low loss ballast, non-compensated)

□ - color of collar: - 0 - white painted, C - chrome coated, M - brass coated, N - stainless steel

## Wall luminaires



## Material:

- glass: blowing by hand, three-layers
- color: white-opal
- body: steel sheet white painted

Degree of protection: IP 20

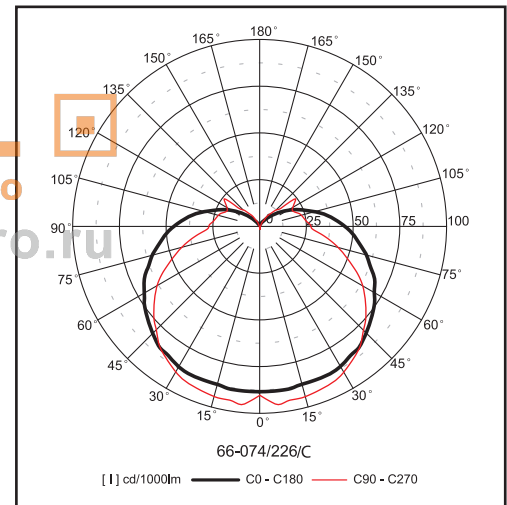
Rated voltage: 230V/50Hz

Control gear: low loss ballast or electronic ballast

Mounting: on a wall

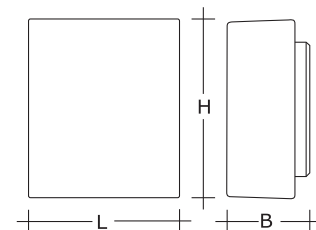
Application: reception desks, corridors, entry halls, restaurants, conference rooms

**MODUL**  
**ELECTRO**  
www.modulelectro.ru



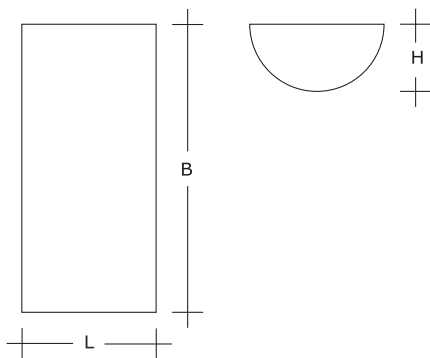
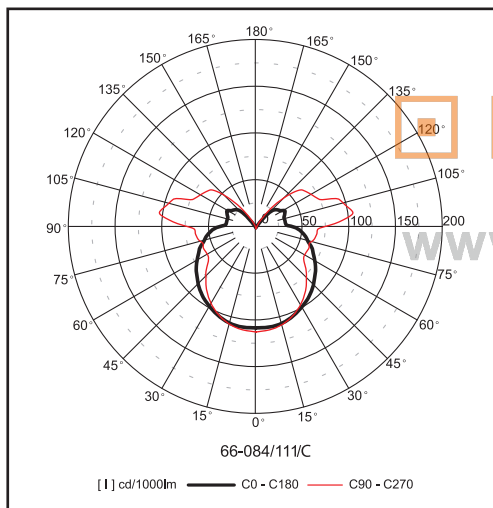
Code	Power	Lamp	Cap	LxBxH (mm)	Kg
66-071/206/+	2x60W	incandes. lamp	E 27	270x150x320	3,1
66-074/218/□	2x18W	compact lamp	G24d(q)-2	270x150x320	3,5
66-074/226/□	2x26W	compact lamp	G24d(q)-3	270x150x320	3,5

- - C (electronic ballast)  
- D (low loss ballast, non-compensated)



# castelo | 66-08

## Wall luminaires



### Material:

- glass: blowing by hand, three-layers
- color: white-opal, blue, green, yellow
- body: white painted steel sheet

Degree of protection: IP 20

Rated voltage: 230V/50Hz

Control gear: electronic ballast

Mounting: on a wall

Application: reception desks, corridors, entry halls, restaurants, conference rooms

Code	Power	Cap	LxBxH (mm)	Color of glass	Kg
66-081/206/+	A 2x60W	E 14	150x300x75	white	1,2
66-084/111/C	TC-EL 1x11W	2G7	150x300x75	white	1,2
66-081/206/++++R	A 2x60W	E 14	150x300x75	blue	1,2
66-084/111/C+++R	TC-EL 1x11W	2G7	150x300x75	blue	1,2
66-081/206/+++T	A 2x60W	E 14	150x300x75	green	1,2
66-084/111/C+++T	TC-EL 1x11W	2G7	150x300x75	green	1,2
66-081/206/+++U	A 2x60W	E 14	150x300x75	yellow	1,2
66-084/111/C+++U	TC-EL 1x11W	2G7	150x300x75	yellow	1,2



## Decorative luminaires

55-01 | **granit**



### Material:

- body: made fo steel sheet and aluminium
- colour: grey

Degree of protection: IP 20

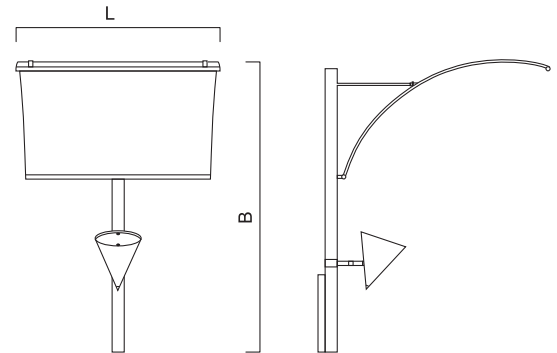
Rated voltage: 230V/50Hz

Mounting: on a wall

Application: restaurants, shops, hotels, finance houses, corridors and stairways

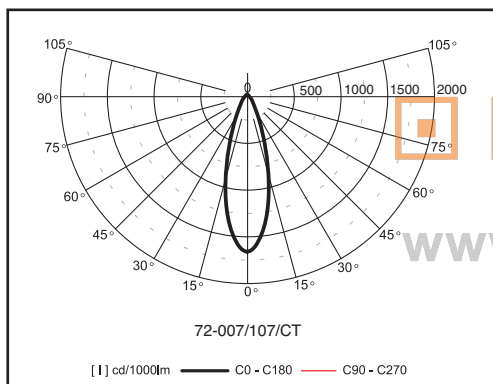
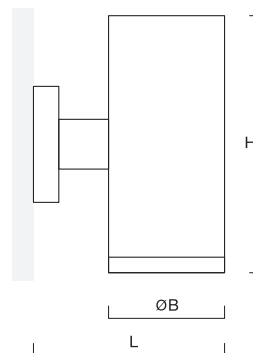
**MODUL**  
ELECTRO  
[www.modulelectro.ru](http://www.modulelectro.ru)

Code	Power	Lamp	Cap	LxB (mm)	Kg
55-012/110/+	max 1x100W	halogen lamp	B15d	659x945	8,0



# sabik | 72-00

## Wall luminaires



### Material:

- body: made of a steel sheet
- color: grey
- reflector: aluminium

Degree of protection: IP 54

Rated voltage: 230V/50Hz

Control gear: standard ballast – parallel compensation or electronic ballast

Application: corridors and stairways, entry halls, restaurants

Code	Power	Lamp	Cap	LxØBxH (mm)	Kg
72-007/103/BT	1x35W	metal-halide lamp	G12	230x140x310	2,5
72-007/103/CT	1x35W	metal-halide lamp	G12	230x140x310	1,7
72-007/107/BT	1x70W	metal-halide lamp	G12	230x140x310	2,5
72-007/107/CT	1x70W	metal-halide lamp	G12	230x140x310	1,7

- B (standard ballast – parallel compensation) - C (electronic ballast)

## Spotlight

72-01 | **sorento**



### Material:

- body: is made of steel and aluminium sheet
- color: grey
- reflector: aluminium

Degree of protection: IP 20

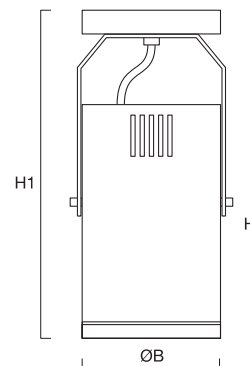
Rated voltage: 230V/50Hz

Control gear: standard ballast – parallel compensation or electronic ballast

Mounting: on a wall or ceiling

Application: reception desks, corridors, entry halls, restaurants

**MODUL**  
ELECTRO  
[www.modulelectro.ru](http://www.modulelectro.ru)

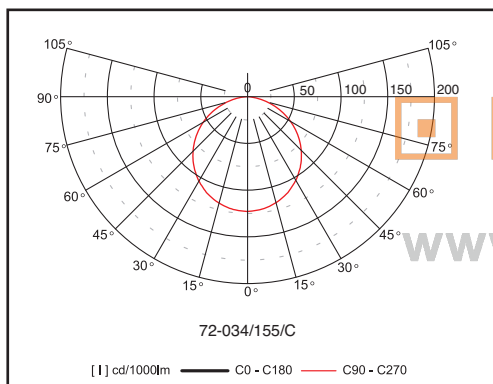


Code	Power	Lamp	Cap	ØBxHxH1 (mm)	Kg
72-017/103/BT	1x35W	metal halide lamp	G12	140x220x320	2,6
72-017/103/CT	1x35W	metal halide lamp	G12	140x220x320	1,6
72-017/107/BT	1x70W	metal halide lamp	G12	140x220x320	2,6
72-017/107/CT	1x70W	metal halide lamp	G12	140x220x320	1,6

- B (standard ballast – parallel compensation) - C (electronic ballast)

# korona | 72-02, 72-03

## Decorative luminaires



### Material:

- body: is made of aluminium sheet
- color: grey
- diffuser: opaline

Degree of protection: IP 20

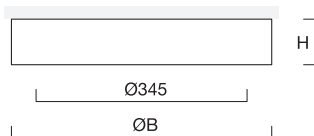
Rated voltage: 230V/50Hz

Control gear: electronic ballast

### Mounting:

on ceiling (72-02);  
suspended on one tube pendant fixed in the middle of the luminaire (72-03)

Application: reception desks, offices, corridors and stairways, shops



Code	Power	Lamp	Cap	ØBxH (mm)	Kg
72-024/140/C	1x40W	circ. fluor. lamp	2GX13	425x75	2,7
72-024/155/C	1x55W	circ. fluor. lamp	2GX13	425x75	2,7
72-024/162/C	1x22W + 1x40W	circ. fluor. lamp	2GX13	425x75	2,7
72-034/140/C	1x40W	circ. fluor. lamp	2GX13	425x75	2,7
72-034/155/C	1x55W	circ. fluor. lamp	2GX13	425x75	2,7
72-034/162/C	1x22W + 1x40W	circ. fluor. lamp	2GX13	425x75	2,7

## Decorative luminaires - outdoor

72-94 | lotus



### Material:

- body: is made of stainless sheet
- LED's color: 4000 K
- number LED's: 57

Degree of protection: IP 65

Rated voltage: 230V/50Hz

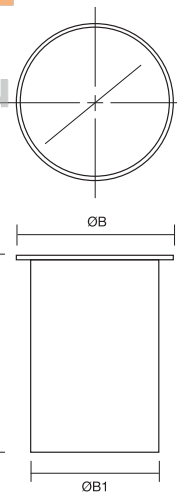
Control gear: transformer

Mounting: luminaire is designed for outdoor use

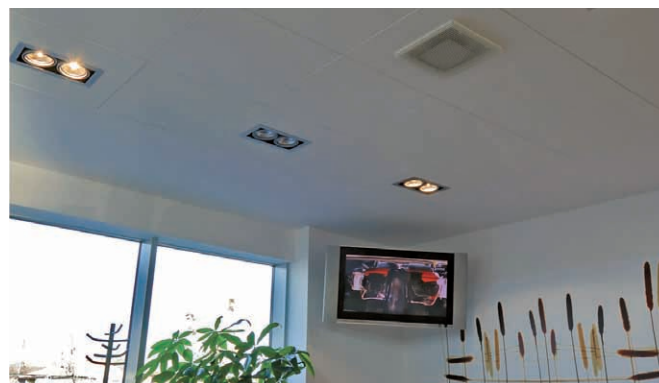
Applications: night clubs, restaurants, shop-windows, precincts

**MODULO**  
ELECTRO

[www.modulelectro.ru](http://www.modulelectro.ru)



Code	Power	Lamp	ØBxB1xH (mm)	Kg
72-949/571/NT	57x1W	LED	127x114x155	2,5



### Material:

- body: is made of a steel and aluminium sheet
- color: grey

Degree of protection: IP 20

Rated voltage: 230V/50Hz

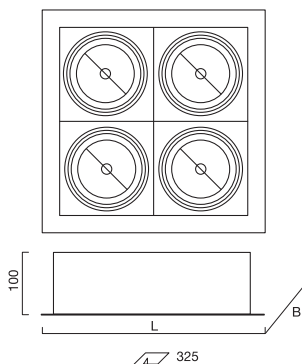
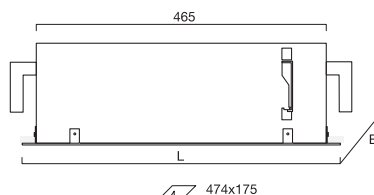
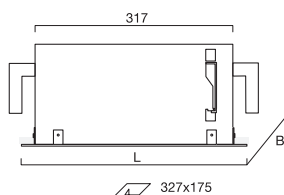
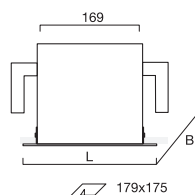
Control gear: standard ballast – parallel compensation or electronic ballast  
Connection to the power supply by electronic transformer 230V/12V.

Mounting: recessed mounting in panel ceilings and plaster ceilings

Application: reception desks, shops, shop-windows, vestibules, restaurants



MODULI  
ELECTRO  
www.modulielektro.cz



Code	Power	Lamp	Cap	LxB (mm)	Kg
78-007/107/□	1x70W	metal halide lamp	G12	214x214	2,1
78-002/107/N	1xQR111	tungsten halogen	G53	214x214	2,1
78-007/207/□	2x70W	metal halide lamp	G12	362x214	4,2
78-002/207/N	2xQR111	tungsten halogen	G53	362x214	4,2
78-007/307/□	3x70W	metal halide lamp	G12	510x214	5,3
78-002/307/N	3xQR111	tungsten halogen	G53	510x214	5,3
78-007/407/□	4x70W	metal halide lamp	G12	357x357	8,2
78-002/407/N	4xQR111	tungsten halogen	G53	357x357	6,5

□ - B (standard ballast, parallel compensation) - C (electronic ballast)

Luminaires are supplied with electronic transformer (excl. those with ballast).  
Luminaires are supplied without lamps.

## Decorative luminaires

# 78-01, 78-02 | tania



### Material:

- body: is made of aluminium profile
- color: gray

Degree of protection: IP 20

Rated voltage: 230V/50Hz

Control gear: connection to the power supply by electronic transformer 230V/12V

Mounting: suspended on pendants

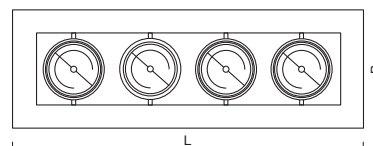
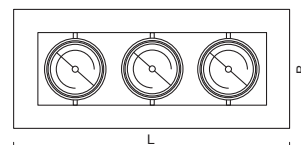
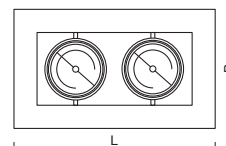
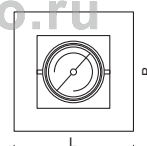
Accessories: suspension set (L=1000mm) is supplied with luminaire

Applications: reception desks, shops, shop-windows, vestibules, restaurants

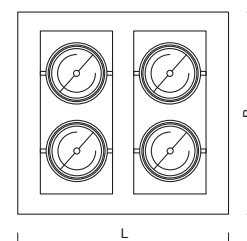
**MODULO**  
ELECTRO



78-01



78-02



Code	Power	Lamp	Cap	LxB (mm)	Kg
78-012/105/N	1x50W	tungsten halogen lamp	G53	255x255	1,7
78-012/107/N	1x75W	tungsten halogen lamp	G53	255x255	1,7
78-012/110/N	1x100W	tungsten halogen lamp	G53	255x255	1,7
78-012/205/N	2x50W	tungsten halogen lamp	G53	430x255	2,7
78-012/207/N	2x75W	tungsten halogen lamp	G53	430x255	2,7
78-012/210/N	2x100W	tungsten halogen lamp	G53	430x255	2,7
78-012/305/N	3x50W	tungsten halogen lamp	G53	590x255	3,5
78-012/307/N	3x75W	tungsten halogen lamp	G53	590x255	3,5
78-012/310/N	3x100W	tungsten halogen lamp	G53	590x255	3,5
78-012/405/N	4x50W	tungsten halogen lamp	G53	750x255	4,5
78-012/407/N	4x75W	tungsten halogen lamp	G53	750x255	4,5
78-012/410/N	4x100W	tungsten halogen lamp	G53	750x255	4,5
78-022/405/N	4x50W	tungsten halogen lamp	G53	450x430	4,5
78-022/407/N	4x75W	tungsten halogen lamp	G53	450x430	4,5
78-022/410/N	4x100W	tungsten halogen lamp	G53	450x430	4,5

Luminaires are supplied with electronic transformers.

Luminaires are supplied without lamps.



 **MODUL**   
ELECTRO

[www.modulelectro.ru](http://www.modulelectro.ru)

**Downlights**







Dorado 82-00 98



Dorado 82-01 99



Dorado 82-02 100



Dorado 82-03 101



Dorado 82-04 102



Dorado 82-95 104



Crater 33-49 105



Apus 77-00 106

Beghelli

MODULO ELECTRO

www.modulelectro.ru



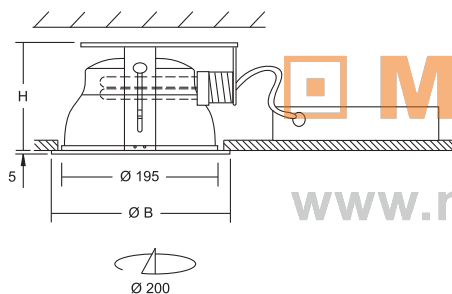
Apus 77-03 107



BS 33-FL 108



BS 33-SC 109



### Material:

- body: a steel sheet finished by powder technology varnishing
- color: white RAL 9016
- reflector: polished aluminium sheet

Degree of protection: IP 20/44

Rated voltage: 230V/50Hz

Control gear: low loss ballast or electronic ballast; the luminaires are offered also in emergency version

Mounting: recessed mounting in panel ceilings with maximum width 50mm

Accessories: (must be ordered separately)

- 99-830 - turbo louvre
- 99-831 - cross louvre
- 99-832 - glass cover IP44

Application: restaurants, reception desks, shops, entry halls, hotels, corridors and stairways

- if you order turbo-louvre 99-830 or cross louvre 99-831 you have to use standard version of downlight (coding without D)
- if you order decorative glass you have to use special version of downlight (coding with D)
- if you order glass IP44 you have to use special version of downlight (coding with H)
- if you order glass IP54 you have to use special version of downlight (coding with K)



99-830



99-831



99-832

Code	Power	Lamp	Cap	ØBxH (mm)	Kg
82-004/113/□++□	1x13W	compact fl. lamp	G24d(q)-1	220x140	1,6
82-004/118/□++□	1x18W	compact fl. lamp	G24d(q)-2	220x140	1,6
82-004/126/□++□	1x26W	compact fl. lamp	G24d(q)-3	220x140	1,8
82-004/213/□++□	2x13W	compact fl. lamp	G24d(q)-1	220x140	1,9
82-004/218/□++□	2x18W	compact fl. lamp	G24d(q)-2	220x140	1,9
82-004/226/□++□	2x26W	compact fl. lamp	G24d(q)-3	220x140	2,1

□ - E (low loss ballast - parallel compensation)  
 - C (electronic ballast)

□ - (standard version)  
 - D - version with mounting holes for accessories (decorative glass, see page 103)  
 - H - version with mounting holes for glass cover IP44 (99-832)  
 - K - version with mounting holes for glass cover IP54 (see page 103)

## Downlights

# 82-01 | dorado



### Material:

- body: a steel sheet finished by powder technology varnishing
- color: white RAL 9016
- reflector: polished aluminium sheet

Degree of protection: IP 44

Rated voltage: 230V/50Hz

Control gear: low loss ballast or electronic ballast; the luminaires are offered also in emergency version

Mounting: recessed mounting in panel ceilings with maximum width 18mm

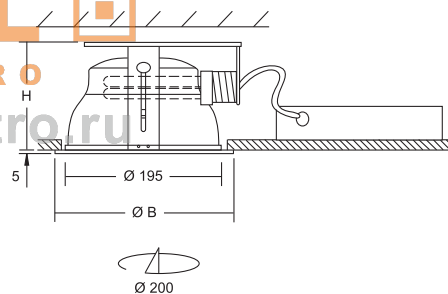
Accessories: opal glass cover (supplied with the luminaire)

Application: restaurants, reception desks, shops, entry halls, hotels, corridors and stairways

# MODULO

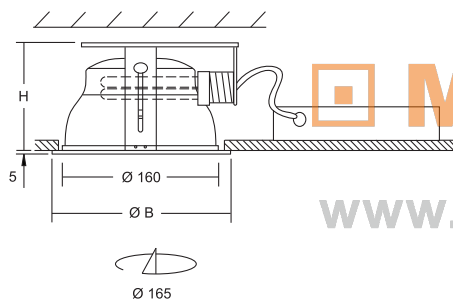
## ELECTRO

www.modulelectro.ru



Code	Power	Lamp	Cap	ØBxH (mm)	Kg
82-014/113/□Z	1x13W	compact fl. lamp	G24d(q)-1	220x70	1,6
82-014/118/□Z	1x18W	compact fl. lamp	G24d(q)-2	220x70	1,6
82-014/126/□Z	1x26W	compact fl. lamp	G24d(q)-3	220x70	1,7
82-014/213/□Z	2x13W	compact fl. lamp	G24d(q)-1	220x70	1,9
82-014/218/□Z	2x18W	compact fl. lamp	G24d(q)-2	220x70	1,9
82-014/226/□Z	2x26W	compact fl. lamp	G24d(q)-3	220x70	2,1

- - E (low loss ballast - parallel compensation)  
 - C (electronic ballast)



### Material:

- body: a steel sheet finished by powder technology varnishing
- color: white RAL 9016
- reflector: polished aluminium sheet

Degree of protection: IP 20

Rated voltage: 230V/50Hz

Control gear: low loss ballast or electronic ballast; the luminaires are offered also in emergency version

Mounting: recessed mounting in panel ceilings with maximum width 40mm

Accessories: (must be ordered separately)

99-839 – turbo louvre

99-833 – cross louvre

Application: restaurants, reception desks, shops, entry halls, hotels, corridors and stairways

- if you order turbo-louvre 99-839 or cross louvre 99-833 you have to use standard version of downlight (coding without D)
- if you order decorative glasses (see page 103) you have to use special version of downlight (coding with D)
- if you order glass IP54 you have to use special version of downlight (coding with K)

99-839



99-833



Code	Power	Lamp	Cap	ØBxH (mm)	Kg
82-024/113/□++□	1x13W	compact fl. lamp	G24d(q)-1	185x115	1,4
82-024/118/□++□	1x18W	compact fl. lamp	G24d(q)-2	185x115	1,4
82-024/126/□++□	1x26W	compact fl. lamp	G24d(q)-3	185x115	1,5
82-024/213/□++□	2x13W	compact fl. lamp	G24d(q)-1	185x115	1,7
82-024/218/□++□	2x18W	compact fl. lamp	G24d(q)-2	185x115	1,7

□ - E (low loss ballast - parallel compensation)  
 □ - C (electronic ballast)

□ - (standard version)  
 - D - version with mounting holes for accessories (decorative glass, see page 103)  
 - K - version with mounting holes for glass cover IP54 (see page 103)

## Downlights



### Material:

- body: a steel sheet finished by powder technology varnishing
- color: white RAL 9016
- reflector: polished aluminium sheet

Degree of protection: IP 20

Rated voltage: 230V/50Hz

Control gear: low loss ballast or electronic ballast; the luminaires are offered also in emergency version

Mounting: recessed mounting in panel ceilings with maximum width 50mm

Accessories: (must be ordered separately)

99-834 - turbo louvre

99-835 - cross louvre

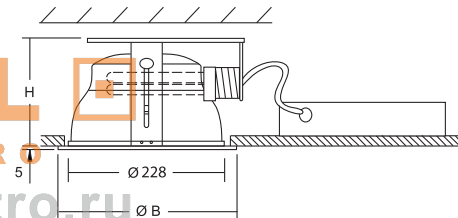
Application: restaurants, reception desks, shops, entry halls, hotels, corridors and stairways

- if you order turbo-louvre 99-834 or cross louvre 99-835 you have to use standard version of downlight (coding without D)
- if you order decorative glasses (see page 103) you have to use special version of downlight (coding with D)
- if you order glass IP54 you have to use special version of downlight (coding with K)

Code	Power	Lamp	Cap	ØBxH (mm)	Kg
82-034/118/□++□	1x18W	compact fl. lamp	G24d(q)-2	255x150	1,8
82-034/126/□++□	1x26W	compact fl. lamp	G24d(q)-3	255x150	1,9
82-034/132/C++□	1x32W	compact fl. lamp	G24q-3/4	255x150	1,9
82-034/142/C++□	1x42W	compact fl. lamp	G24q-3/4	255x150	1,9
82-034/218/□++□	2x18W	compact fl. lamp	G24d(q)-2	255x150	2,0
82-034/226/□++□	2x26W	compact fl. lamp	G24d(q)-3	255x150	2,0
82-034/232/C++□	2x32W	compact fl. lamp	GX24q-3/4	255x150	2,1
82-034/242/C++□	2x42W	compact fl. lamp	GX24q-3/4	255x150	2,1

□ - E (low loss ballast - parallel compensation)  
 - C (electronic ballast)

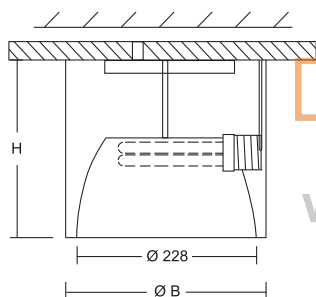
□ - (standard version)  
 - D - version with mounting holes for accessories  
 (decorative glass, see page 103)  
 - K - version with mounting holes for glass cover IP54 (see page 103)



99-834



99-835



**MODULO**  
ELECTRO  
www.moduloelectro.ru

### Material:

- body: a steel sheet finished by powder technology varnishing
- color: white RAL 9016
- reflector: polished aluminium sheet

Degree of protection: IP 20

Rated voltage: 230V/50Hz

Control gear: low loss ballast or electronic ballast; the luminaires are offered also in emergency version

Mounting: built up on ceiling

Accessories: (must be ordered separately)

99-836 - turbo louvre

99-837 - cross louvre

Application: restaurants, reception desks, shops, entry halls, hotels, corridors and stairways

If you order turbo-louvre 99-836 or cross louvre 99-837 you have to use standard version of downlight (coding without D). If you order decorative glasses (see page 103) you have to use special version of downlight (coding with D).



99-836



99-837

Code	Power	Lamp	Cap	ØBxH (mm)	Kg
82-044/118/1++4	1x18W	compact fl. lamp	G24d(q)-2	255x210	2,1
82-044/126/1++4	1x26W	compact fl. lamp	G24d(q)-3	255x210	2,2
82-044/132/C++4	1x32W	compact fl. lamp	G24q-3/4	255x210	2,3
82-044/142/C++4	1x42W	compact fl. lamp	G24q-3/4	255x210	2,3
82-044/218/1++4	2x18W	compact fl. lamp	G24d(q)-2	255x210	2,3
82-044/226/1++4	2x26W	compact fl. lamp	G24d(q)-3	255x210	2,4
82-044/232/C++4	2x32W	compact fl. lamp	GX24q-3/4	255x210	2,5
82-044/242/C++4	2x42W	compact fl. lamp	GX24q-3/4	255x210	2,5

1 - E (low loss ballast - parallel compensation)  
- C (electronic ballast)

4 - (standard version)  
- D - version with mounting holes for accessories  
(decorative glass, see page 103)

## Accessories for downlights 82-00, 82-02, 82-03, 82-04

dorado



Clear 5mm thick decorative glass



Central frosted 5mm thick decorative glass



Outer frosted 5mm thick decorative glass



Completely frosted 5mm thick decorative glass



Clear 5mm thick decorative glass ring



Central frosted 5mm thick decorative glass ring



Outer frosted 5mm thick decorative glass ring



Completely frosted 5mm thick decorative glass ring



IP54 clear glass

### 82-00

- 99-842 - clear 5mm thick decorative glass
- 99-845 - central frosted 5mm thick decorative glass
- 99-840 - outer frosted 5mm thick decorative glass
- 99-844 - completely frosted 5mm thick decorative glass
- 99-902 - clear 5mm thick decorative glass ring
- 99-903 - central frosted 5mm thick decorative glass ring
- 99-904 - outer frosted 5mm thick decorative glass ring
- 99-905 - completely frosted 5mm thick decorative glass ring
- 99-906 - IP54 clear glass

### 82-02

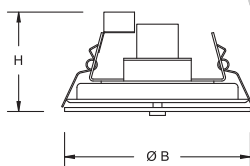
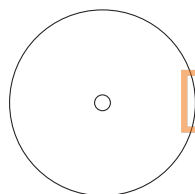
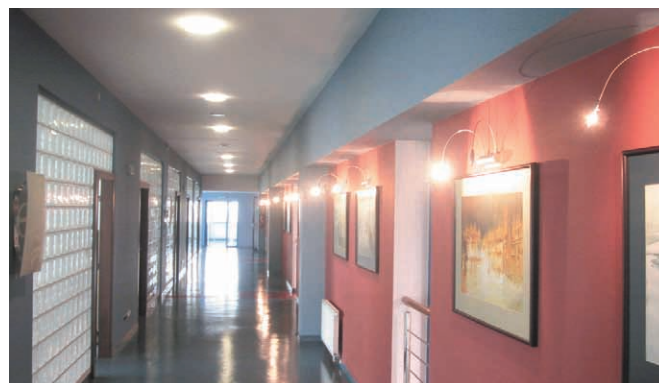
- 99-892 - clear 5mm thick decorative glass
- 99-893 - central frosted 5mm thick decorative glass
- 99-894 - outer frosted 5mm thick decorative glass
- 99-895 - completely frosted 5mm thick decorative glass
- 99-896 - clear 5mm thick decorative glass ring
- 99-897 - central frosted 5mm thick decorative glass ring
- 99-898 - outer frosted 5mm thick decorative glass ring
- 99-899 - completely frosted 5mm thick decorative glass ring
- 99-900 - IP54 clear glass

### 82-03, 82-04

- 99-908 - clear 5mm thick decorative glass
- 99-909 - central frosted 5mm thick decorative glass
- 99-841 - outer frosted 5mm thick decorative glass
- 99-910 - completely frosted 5mm thick decorative glass
- 99-911 - clear 5mm thick decorative glass ring
- 99-912 - central frosted 5mm thick decorative glass ring
- 99-913 - outer frosted 5mm thick decorative glass ring
- 99-914 - completely frosted 5mm thick decorative glass ring
- 99-915 - IP54 clear glass (only for 82-03)

# dorado | 82-95, 82-96, 82-97, 82-98

Downlights with LEDs



## Material:

- body: a steel sheet finished by powder technology varnishing
- color: white RAL 9003
- diffuser: sanded glass

## LED:

- number LEDs: 11
- LED color temperature: 4000K, 6000K

**Degree of protection:** IP 20

**Rated voltage:** 230V/50Hz

**Mounting:** recessed mounting in panel ceilings with maximum width 30mm

**Accessories:** sanded glass (supplied with the luminaire)

**Application:** restaurants, reception desks

**MODUL**  
ELETTRO  
www.modul-elettro.ru

Code	Power	Lamp	LED color temperature	Lumen per watt	Hole cut out [mm]	ØBxH [mm]	Kg
82-959/113/NSP	11x3W	LED	6000K	65lm/W	170	188x101	2,1
82-969/113/NSP	11x3W	LED	6000K	100lm/W	170	188x101	2,1
82-979/113/NSP	11x3W	LED	4000K	65lm/W	170	188x101	2,1
82-989/113/NSP	11x3W	LED	4000K	100lm/W	170	188x101	2,1



## Downlights



### Material:

- body: plastic
- color: white RAL 9003
- reflector: polycarbonate, coating with aluminium
- louvre: anti-glare turbo louvre
- cover: clear, opal or semi-matted plastic cover (IP44)

Degree of protection: IP 20/IP 44

Rated voltage: 230V/50Hz

Control gear: low loss ballast or electronic ballast, dimmable ballast by request, the luminaires are offered also in emergency version (in case of power failure one lamp works)

Mounting: recessed mounting in panel ceilings with maximum width 20mm

Accessories: (must be ordered separately)

99-877 - sanded glass Ø 230mm

99-880 - opaline polycarbonate cover IP44

99-878 - clear polycarbonate cover IP44

99-881 - turbo louvre

99-879 - semi-matted polycarbonate cover IP44

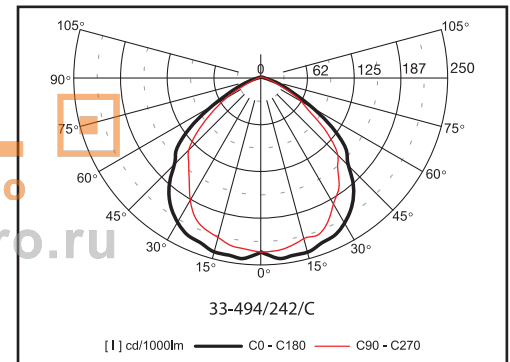
Application: reception desks, corridors and stairways, entry halls, restaurants

Code	Power	Lamp	Cap	Hole cut out	BxH (mm)	Kg
33-494/113/□++□	1x13W	compact fl. lamp	G24d(q)-1	Ø 215 mm	230x105	1,0
33-494/118/□++□	1x18W	compact fl. lamp	G24d(q)-2	Ø 215 mm	230x105	1,1
33-494/126/□++□	1x26W	compact fl. lamp	G24d(q)-3	Ø 215 mm	230x105	1,3
33-494/132/C++□	1x32W	compact fl. lamp	GX24q-3	Ø 215 mm	230x105	1,0
33-494/142/C++□	1x42W	compact fl. lamp	GX24q-4	Ø 215 mm	230x105	1,0
33-494/213/□++□	2x13W	compact fl. lamp	G24d(q)-1	Ø 215 mm	230x105	1,2
33-494/218/□++□	2x18W	compact fl. lamp	G24d(q)-2	Ø 215 mm	230x105	1,4
33-494/226/□++□	2x26W	compact fl. lamp	G24d(q)-3	Ø 215 mm	230x105	1,8
33-494/232/C++□	2x32W	compact fl. lamp	GX24q-3	Ø 215 mm	230x105	1,0
33-494/242/C++□	2x42W	compact fl. lamp	GX24q-4	Ø 215 mm	230x105	1,0

- - D (low loss ballast, non compensated)
- E (low loss ballast, parallel compensation)
- C (electronic ballast)

- - (standard version)
- D - version with mounting holes for accessories (covers and turbo louvre)

Note: plastic covers can not be used for version 2x32W and 2x42W.



# apus | 77-00, 77-01, 77-02

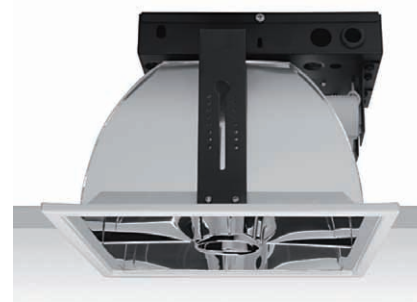
## Rectangular recessed - downlights



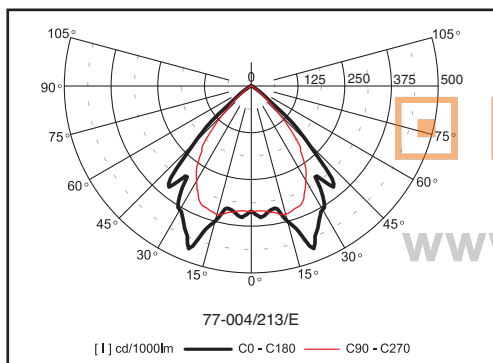
77-00



77-01



77-02



### Material:

- body: made of a steel sheet
- color: white
- reflector: polished aluminium sheet

Degree of protection: IP 20/IP 44

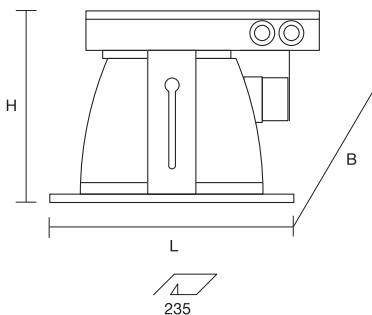
Rated voltage: 230V/50Hz

Control gear: low loss ballast or electronic ballast;

the luminaires are offered also in emergency version

Mounting: recessed mounting in panel ceilings

Application: reception desks, corridors and stairways, entry halls, restaurants



Code	Power	Lamp	Cap	LxBxH (mm)	Kg	Performance
77-004/213/□	2x13W	compact fl. lamp	G24d(q)-1	255x255x195	2,9	decorative glass
77-004/218/□	2x18W	compact fl. lamp	G24d(q)-2	255x255x195	2,9	decorative glass
77-004/226/□	2x26W	compact fl. lamp	G24d(q)-3	255x255x195	2,9	decorative glass
77-004/232/C	2x32W	compact fl. lamp	GX24q-3	255x255x195	2,8	decorative glass
77-004/242/C	2x42W	compact fl. lamp	GX24q-4	255x255x195	2,8	decorative glass
77-014/213/□	2x13W	compact fl. lamp	G24d(q)-1	255x255x195	2,9	RA louver
77-014/218/□	2x18W	compact fl. lamp	G24d(q)-2	255x255x195	2,9	RA louver
77-014/226/□	2x26W	compact fl. lamp	G24d(q)-3	255x255x195	2,9	RA louver
77-014/232/C	2x32W	compact fl. lamp	GX24q-3	255x255x195	2,8	RA louver
77-014/242/C	2x42W	compact fl. lamp	GX24q-4	255x255x195	2,8	RA louver
77-024/213/□	2x13W	compact fl. lamp	G24d(q)-1	255x255x195	2,9	RA NEW louver
77-024/218/□	2x18W	compact fl. lamp	G24d(q)-2	255x255x195	2,9	RA NEW louver
77-024/226/□	2x26W	compact fl. lamp	G24d(q)-3	255x255x195	2,9	RA NEW louver
77-024/232/C	2x32W	compact fl. lamp	GX24q-3	255x255x195	2,8	RA NEW louver
77-024/242/C	2x42W	compact fl. lamp	GX24q-4	255x255x195	2,8	RA NEW louver

□ - E (low loss ballast) - C (electronic ballast)

## Rectangular recessed - downlights

# 77-03, 77-04, 77-05 | apus



77-03



77-04



77-05



### Material:

- body: made of a steel sheet
- color: white
- reflector: polished aluminium sheet

Degree of protection: IP 20/IP 44

Rated voltage: 230V/50Hz

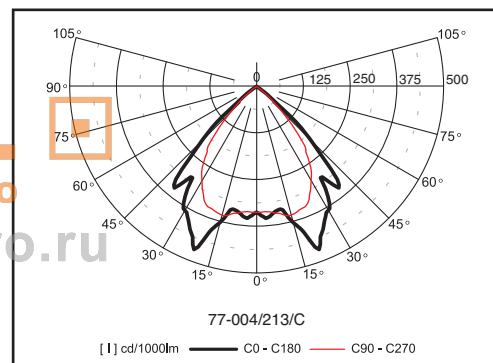
Control gear: low loss ballast or electronic ballast;

the luminaires are offered also in emergency version

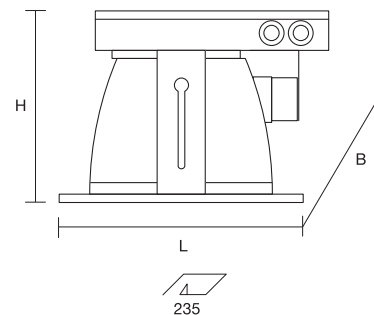
Mounting: recessed mounting in panel ceilings

Application: reception desks, corridors and stairways, entry halls, restaurants

**MODUL**  
**ELECTRO**  
www.modulelectro.ru



Code	Power	Lamp	Cap	LxBxH (mm)	Kg	Performance
77-034/213/□	2x13W	compact fl. lamp	G24d(q)-1	255x255x195	2,9	-
77-034/218/□	2x18W	compact fl. lamp	G24d(q)-2	255x255x195	2,9	-
77-034/226/□	2x26W	compact fl. lamp	G24d(q)-3	255x255x195	2,9	-
77-034/232/C	2x32W	compact fl. lamp	GX24q-3	255x255x195	2,8	-
77-034/242/C	2x42W	compact fl. lamp	GX24q-4	255x255x195	2,8	-
77-044/213/□	2x13W	compact fl. lamp	G24d(q)-1	255x255x195	2,9	glass IP44
77-044/218/□	2x18W	compact fl. lamp	G24d(q)-2	255x255x195	2,9	glass IP44
77-044/226/□	2x26W	compact fl. lamp	G24d(q)-3	255x255x195	2,9	glass IP44
77-044/232/C	2x32W	compact fl. lamp	GX24q-3	255x255x195	2,8	glass IP44
77-044/242/C	2x42W	compact fl. lamp	GX24q-4	255x255x195	2,8	glass IP44
77-054/213/□	2x13W	compact fl. lamp	G24d(q)-1	255x255x195	2,9	glass IP44, RA louver
77-054/218/□	2x18W	compact fl. lamp	G24d(q)-2	255x255x195	2,9	glass IP44, RA louver
77-054/226/□	2x26W	compact fl. lamp	G24d(q)-3	255x255x195	2,9	glass IP44, RA louver
77-054/232/C	2x32W	compact fl. lamp	GX24q-3	255x255x195	2,8	glass IP44, RA louver
77-054/242/C	2x42W	compact fl. lamp	GX24q-4	255x255x195	2,8	glass IP44, RA louver



# BS 33-FL

## Downlights



LED for emergency function



14122



14123



14124

### Material:

- body: pressurized injected aluminium powder coated unit
- color: white
- reflector: ant glare aluminium sheet

Degree of protection: IP 20/IP 44

Rated voltage: 230V/50Hz

Control gear: electronic ballast. The luminaires are offered also in emergency version (excl. versions 1x) and in NIGHT LAMP version.

Mounting: recessed mounting in panel ceilings

Accessories: (to be ordered separately)

14120 – Feeder Kit up to 5 LED (LED not included)

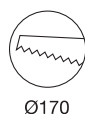
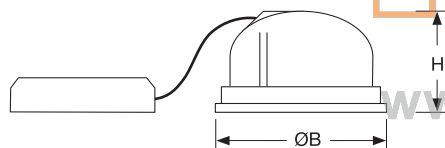
14121 – LED Lamp 1 W

14122 – clear glass cover (IP44)

14123 – satin glass cover (IP44)

14124 – turbo louvre

Application: restaurants, reception desks, shops, entry halls, hotels



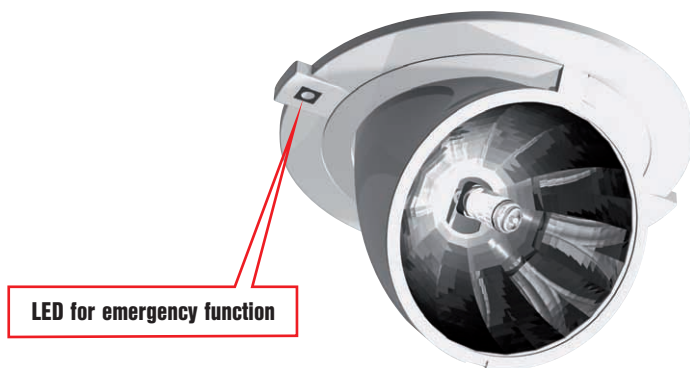
Ø170

Luminaires are supplied with lamps 840.

Code	Power	Lamp	Cap	ØBxH (mm)	Kg
14110	1x14W	compact fl. lamp	GR14q-1	255x105	1,5
14111	1x17W	compact fl. lamp	GR14q-1	255x105	1,5
14112	2x14W	compact fl. lamp	GR14q-1	255x105	1,6
14113	2x17W	compact fl. lamp	GR14q-1	255x105	1,6
14103	1x13W	compact fl. lamp	G24q-1	255x105	1,5
14104	1x18W	compact fl. lamp	G24q-2	255x105	1,5
14105	1x26W	compact fl. lamp	G24q-3	255x105	1,5
14106	2x13W	compact fl. lamp	G24q-1	255x105	1,6
14107	2x18W	compact fl. lamp	G24q-2	255x105	1,6
14108	2x26W	compact fl. lamp	G24q-3	255x105	1,6

## Downlights

# BS 33-SC



### Material:

- body: pressurized injected aluminium powder coated unit
- color: white
- reflector: antiglare aluminium sheet

Degree of protection: IP 20/IP 44

Rated voltage: 230V/50Hz

Control gear: electronic ballast with high energy savings. The luminaires are offered also in emergency version and in NIGHT LAMP version.

Mounting: recessed mounting in panel ceilings

Accessories: (must be ordered separately)

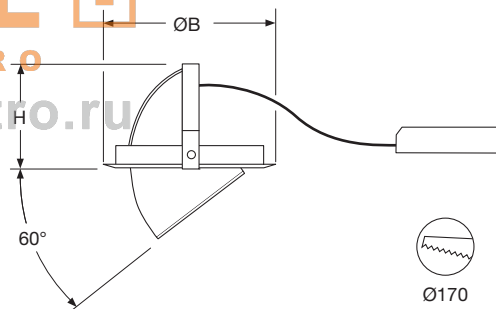
14120 - Feeder Kit up to 5 LED (LED not included)

14121 - LED Lamp 1 W

Application: restaurants, reception desks, shops, entry halls, hotels

**MODULO**  
ELECTRO

www.modulelectro.ru



Code	Power	Lamp	Cap	Position/Angle	ØBxH (mm)	Kg
14100	1x35W	metal hal. lamp	G12	4/345°	255x150	1,4
14101	1x70W	metal hal. lamp	G12	4/345°	255x150	1,5
14102	1x150W	metal hal. lamp	G12	fixed	255x150	1,6



**MODUL**

**ELECTRO Industrial luminaires**

[www.modulelectro.ru](http://www.modulelectro.ru)





Acciaio 112



Leader BS 101 114



Leader BS 103 3G 115



Leader BS 111 116



Leader BS 113 117



Leader 21-01, 21-04 118



BS100, BS110 119



Tores 23-01 120



Castor 25-05 121

Beghelli

MODULO  
ELECTRO

www.modulelectro.ru



Lumino 26-91 122



Leo 40-01 123



Aterix 43-05 124



Aterix 43-09 125



Leone 45-00 126



Leone 45-01 127



Leone 45-02 128



BS 736 salvaspazio 129

When rapidity  
is money...  
...you install **4** fittings in  
the time of **1**

**3 YEAR GUARANTEE**

## Industrial luminaires T5 and T8

### Material:

- body: in zinc steel painted
- color: gray

Degree of protection: IP 66

Rated voltage: 230V/50Hz

Control gear: electronic ballast, dimmable ballast and fast connector Wieland by request

Mounting: separate built in mounting on a ceiling or suspended on pendants

### Accessories: (must be ordered separately)

14811 - 2x AT emergency end-cap NiCd 4,8V 0,75Ah

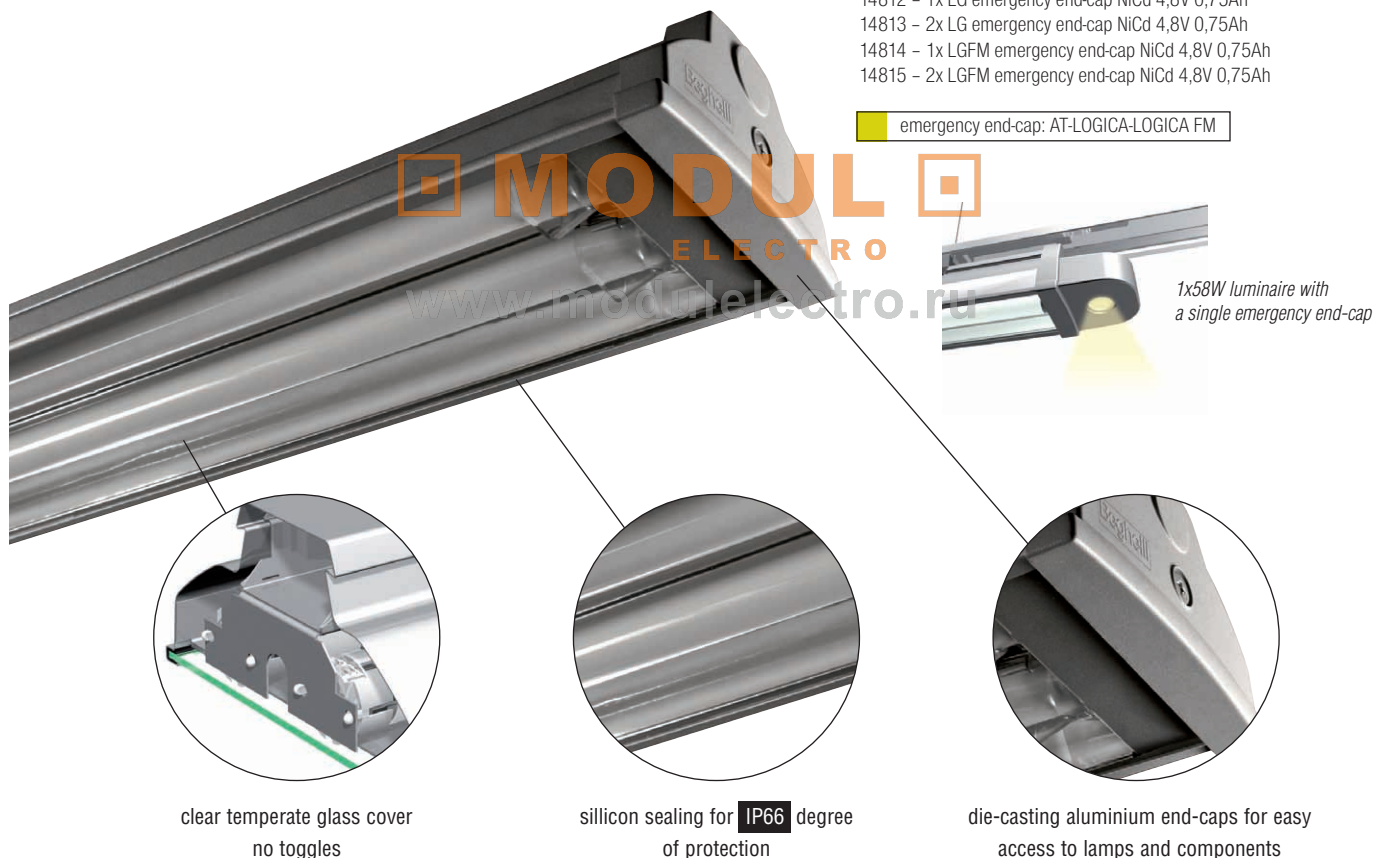
14812 - 1x LG emergency end-cap NiCd 4,8V 0,75Ah

14813 - 2x LG emergency end-cap NiCd 4,8V 0,75Ah

14814 - 1x LGFM emergency end-cap NiCd 4,8V 0,75Ah

14815 - 2x LGFM emergency end-cap NiCd 4,8V 0,75Ah

emergency end-cap: AT-LOGICA-LOGICA FM



clear temperate glass cover  
no toggles

silicon sealing for **IP66** degree  
of protection

die-casting aluminium end-caps for easy  
access to lamps and components



## Industrial luminaires T5 and T8

Acciaio Beghelli is a luminaire designed to ease all steps of installation, each component is designed to reduce the time required for the installation:

- All needed accessories are already mounted on the luminaire
- No spare components are required (i.e. lampholder, cable gland and blanking grommets or others)
- No spare toggles, because the lens is sealed to the body

### Acciaio T8

Code	Power	Lamp	Cap	LxBxH (mm)	Kg
14800	1x18W	T8 lamp	G13	644x110x88	2,9
14802	1x36W	T8 lamp	G13	1254x110x88	3,7
14804	1x58W	T8 lamp	G13	1554x110x88	4,0
14801	2x18W	T8 lamp	G13	644x170x88	3,9
14803	2x36W	T8 lamp	G13	1254x170x88	4,7
14805	2x58W	T8 lamp	G13	1554x170x88	5,1

### Acciaio T5

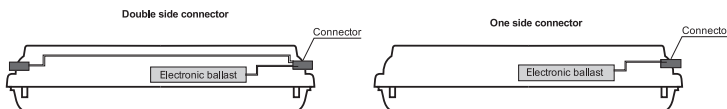
Code	Power	Lamp	Cap	LxBxH (mm)	Kg
14806/114	1x14W	T5 lamp	G5	644x110x88	2,9
14806/128	1x28W	T5 lamp	G5	1254x110x88	3,7
14806/135	1x35W	T5 lamp	G5	1554x110x88	4,0
14806/149	1x49W	T5 lamp	G5	1554x110x88	4,0
14806/154	1x54W	T5 lamp	G5	1254x110x88	3,7
14806/180	1x80W	T5 lamp	G5	1554x110x88	4,0
14806/214	2x14W	T5 lamp	G5	644x170x88	3,9
14806/228	2x28W	T5 lamp	G5	1254x170x88	4,7
14806/235	2x35W	T5 lamp	G5	1554x170x88	5,1
14806/249	2x49W	T5 lamp	G5	1554x170x88	5,1
14806/254	2x54W	T5 lamp	G5	1254x170x88	4,7
14806/280	2x80W	T5 lamp	G5	1554x170x88	5,1

### Acciaio T5 – concentrating reflector

Code	Power	Lamp	Cap	LxBxH (mm)	Kg
14842	1x49W	T5 lamp	G5	1503x110x88	4,0
14843	2x49W	T5 lamp	G5	1503x170x88	5,1
14846	1x80W	T5 lamp	G5	1503x110x88	4,0
14847	2x80W	T5 lamp	G5	1503x170x88	5,1

Acciaio T5 with concentrating reflector is supplied with lamps 840.

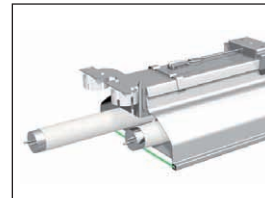
### A/ Fast connector Wieland



### B/ Through wiring with terminal blocks.

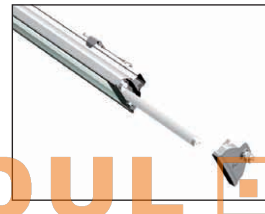


ONE SIDE	DOUBLE SIDE
3 pole	3 pole
5 pole	5 pole



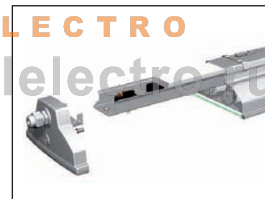
### MOUNTING OF TUBES

The opening of the end-caps is simple and fast. The end-cap is fixed by a single screw. When the end-cap is open the correct positioning of tubes is granted by a guide rail.



### WIRING

Thanks to an extractable rail the installer has an easy access to the connector and electronic components. The extractable rail is locked by the end-cap once it is closed.



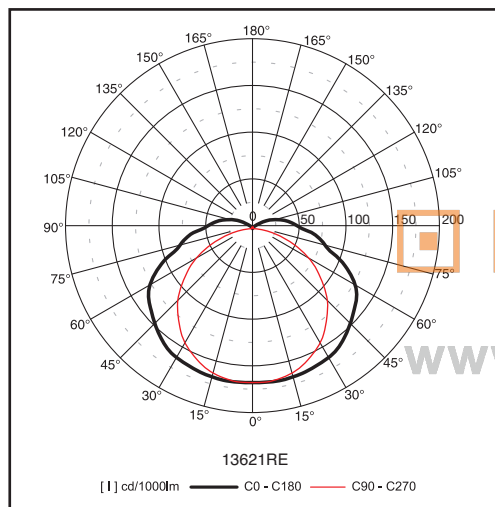
### CLOSING OF THE END-CAP

The closing of the end-cap is immediate. The self-positioning end-cap gets closed by a single central screw, which ensures the correct location and alignment. The silicon gasket grants IP65 degree of protection.



### "SNAP-IN" INSTALLATION MECHANISM

The fixing brackets are another element that allow fast installation and maintenance. The brackets are mounted separately from the luminaire, and successively snapped into place due to a quick-lock internal system. The positioning of the brackets is easily accomplished with their sliding onto a longitudinal rail that allow them to move after they have been connected.



### salvaspazio

Code	Power	Lamp	Cap	LxBxH (mm)	Kg
13616	1x18	T8 lamp	G13	674x121x82	1,8
13617	2x18	T8 lamp	G13	674x121x82	1,9
13618	1x36	T8 lamp	G13	1264x121x82	2,5
13619	2x36	T8 lamp	G13	1264x121x82	3,1
13620	1x58	T8 lamp	G13	1564x121x82	3,4
13621	2x58	T8 lamp	G13	1564x121x82	4,5
13616RE	1x18	T8 lamp	G13	674x121x82	1,5
13617RE	2x18	T8 lamp	G13	674x121x82	1,6
13618RE	1x36	T8 lamp	G13	1264x121x82	2,2
13619RE	2x36	T8 lamp	G13	1264x121x82	2,8
13620RE	1x58	T8 lamp	G13	1564x121x82	3,1
13621RE	2x58	T8 lamp	G13	1564x121x82	3,8

Note: The Salvaspazio version is supplied in a package minimum 3 pieces or multiple, non-visible. Luminaires are supplied without lamps. Version with inverter – TR (example: code 13621 becomes 13621TR)



### Material

- body: injection molded, self-extinguishing UV-stabilized polycarbonate
- color: gray RAL 7035
- reflector: white

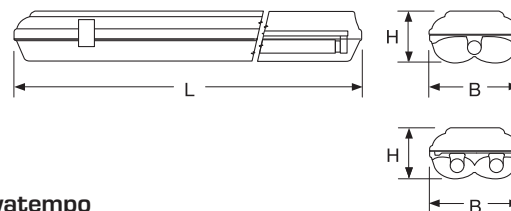
Degree of protection: IP 65

Rated voltage: 230V/50Hz

Control gear: electronic ballast with the highest energy savings. Dimmable ballast and fast connector versions Wieland or Apollo by request. The luminaires are also offered in emergency version.

Mounting: on ceilings, suspension on chain pendants

Application: washrooms, factory halls, farms, cellars, store houses



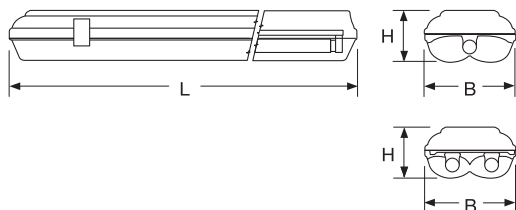
### salvatempo

Code	Power	Lamp	Cap	LxBxH (mm)	Kg
14618	1x36	T8 lamp	G13	1264x121x82	2,0
14619	2x36	T8 lamp	G13	1264x121x82	2,3
14620	1x58	T8 lamp	G13	1564x121x82	3,7
14621	2x58	T8 lamp	G13	1564x121x82	4,9
14618RE	1x36	T8 lamp	G13	1264x121x82	1,7
14619RE	2x36	T8 lamp	G13	1264x121x82	2,0
14620RE	1x58	T8 lamp	G13	1564x121x82	3,4
14621RE	2x58	T8 lamp	G13	1564x121x82	4,2

The Salvatempo version comes with pre-installed fluorescent tubes and the diffuser and hooks already mounted.

## Industrial luminaires

# BS 103 3G | leader



### Material

- body: injection molded, self-extinguishing UV-stabilized polycarbonate
- color: gray RAL 7035
- reflector: parabolic in metalised polycarbonate

Degree of protection: IP 65

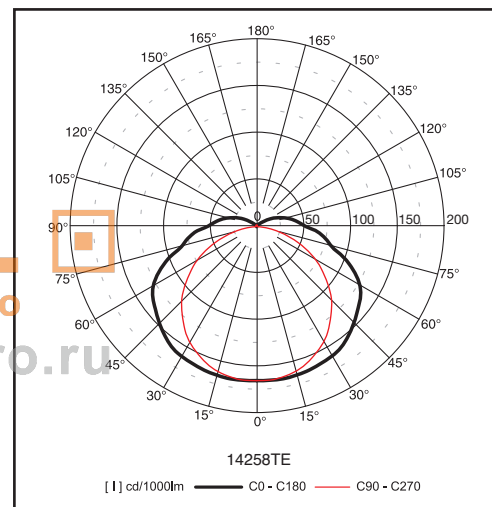
Rated voltage: 230V/50Hz

Control gear: electronic ballast with the highest energy savings. Dimmable ballast and fast connector versions Wieland or Apolo by request. The luminaires are offered also in emergency version.

Mounting: on ceilings, suspension on chain pendants

Application: washrooms, factory halls, farms, cellars, store houses

Due to its latest generation electronic ballast and highest efficiency optical group, it is possible to obtain the highest energy savings: up to 15% for standard electronic ballast and up to 35% for magnetic ballasts.



### salvaspazio

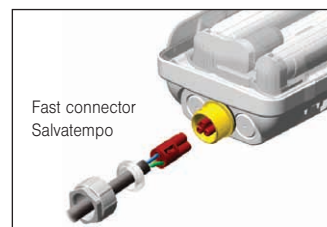
Code	Power	Lamp	Cap	LxBxH (mm)	Kg
14118	1x18W	T8 lamp	G13	674x121x82	1,8
14218	2x18W	T8 lamp	G13	674x121x82	1,9
14136	1x36W	T8 lamp	G13	1264x121x82	2,6
14236	2x36W	T8 lamp	G13	1264x121x82	3,1
14158	1x58W	T8 lamp	G13	1564x121x82	3,7
14258	2x58W	T8 lamp	G13	1564x121x82	4,9
14118TR	1x18W	T8 lamp	G13	674x121x82	1,8
14218TR	2x18W	T8 lamp	G13	674x121x82	1,9
14136TR	1x36W	T8 lamp	G13	1264x121x82	2,6
14236TR	2x36W	T8 lamp	G13	1264x121x82	3,1
14158TR	1x58W	T8 lamp	G13	1564x121x82	3,7
14258TR	2x58W	T8 lamp	G13	1564x121x82	4,9

Note: minimum package 3 or multiple pieces, not possible to divide it. Closing clips in stainless steel, flush fitting with the body. Salvaspazio luminaires are supplied without lamps.

### salvatempo

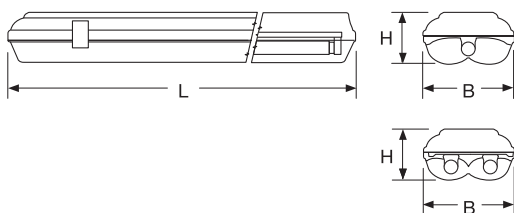
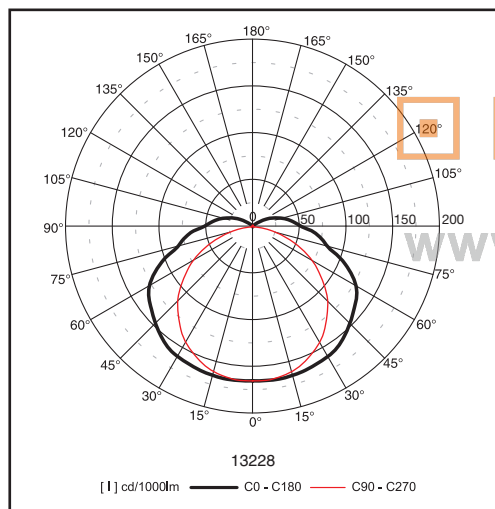
Code	Power	Lamp	Cap	LxBxH (mm)	Kg
14136TE	1x36W	T8 lamp	G13	1264x121x82	2,6
14236TE	2x36W	T8 lamp	G13	1264x121x82	3,1
14158TE	1x58W	T8 lamp	G13	1564x121x82	3,7
14258TE	2x58W	T8 lamp	G13	1564x121x82	4,9

Salvatempo luminaires are supplied with lamps.



Version Salvatempo comprises a revolutionary Fast Connector Salvatempo with integrated cables: it is sufficient to start cabling from female mount cable that is provided with the universal reduction to be able to mount Ø16 - Ø20 cables.

Closing clips in stainless steel, flush fitting with the body.



### Material

- body: injection molded, self-extinguishing UV-stabilized polycarbonate
- color: gray RAL 7035
- reflector: white varnished steel sheet

Degree of protection: IP 65

Rated voltage: 230V/50Hz

Control gear: electronic ballast with the highest energy savings. Dimmable ballast and fast connector versions Wieland or Apolo by request. The luminaires are also offered in emergency version (except of version for 14W, 24W and 2x54W).

Mounting: on ceilings, suspension on chain pendants

Application: washrooms, factory halls, farms, cellars, store houses

Code	Power	Lamp	Cap	LxBxH (mm)	Kg
13114	1x14W	T5 lamp	G5	674x121x82	1,9
13124	1x24W	T5 lamp	G5	674x121x82	1,9
13128	1x28W	T5 lamp	G5	1264x121x82	2,6
13135	1x35W	T5 lamp	G5	1564x121x82	3,5
13149	1x49W	T5 lamp	G5	1564x121x82	3,5
13154	1x54W	T5 lamp	G5	1264x121x82	2,6
13180	1x80W	T5 lamp	G5	1564x121x82	3,5
13214	2x14W	T5 lamp	G5	674x121x82	2,0
13224	2x24W	T5 lamp	G5	674x121x82	2,0
13228	2x28W	T5 lamp	G5	1264x121x82	3,1
13249	2x49W	T5 lamp	G5	1564x121x82	4,2
13235	2x35W	T5 lamp	G5	1564x121x82	4,2
13254	2x54W	T5 lamp	G5	1264x121x82	3,1

EMERGENCY VERSIONS /1 hour/: TR (example: code 13128 becomes 13128TR)  
Luminaires are supplied without lamps

Note: minimum package 3 or multiple pieces, not possible to divide it.  
Closing clips in plastic are supplied with the body.

## Industrial luminaires



### Material

- body: injection molded, self-extinguishing UV-stabilized polycarbonate
- color: gray RAL 7035
- reflector: parabolic in metalised polycarbonate

Degree of protection: IP 65

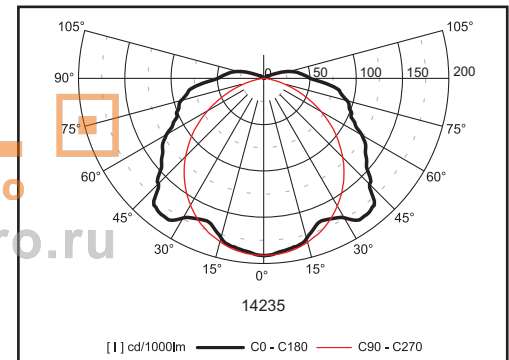
Rated voltage: 230V/50Hz

Control gear: electronic ballast with the highest energy savings. Dimmable ballast and fast connector versions Wieland or Apolo by request. The luminaires are also offered in emergency version (except of version for 14W, 24W).

Mounting: on ceilings, suspension on chain pendants

Application: washrooms, factory halls, farms, cellars, store houses

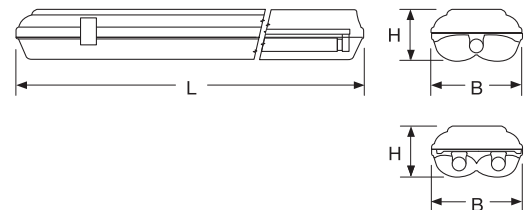
**MODUL**  
ELECTRO  
www.modulelectro.ru



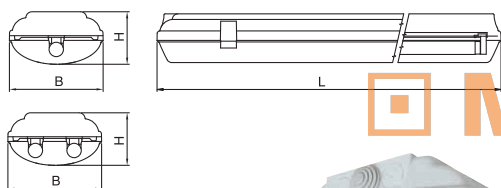
Code	Power	Lamp	Cap	LxBxH (mm)	Kg
14114	1x14W	T5 lamp	G5	674x121x82	1,6
14124	1x24W	T5 lamp	G5	674x121x82	1,6
14128	1x28W	T5 lamp	G5	1264x121x82	2,3
14135	1x35W	T5 lamp	G5	1564x121x82	3,2
14149	1x49W	T5 lamp	G5	1564x121x82	3,2
14154	1x54W	T5 lamp	G5	1264x121x82	2,3
14214	2x14W	T5 lamp	G5	674x121x82	1,7
14224	2x24W	T5 lamp	G5	674x121x82	1,7
14228	2x28W	T5 lamp	G5	1264x121x82	2,9
14249	2x49W	T5 lamp	G5	1564x121x82	3,9
14235	2x35W	T5 lamp	G5	1564x121x82	3,9

EMERGENCY VERSIONS / 1 hour/: TR (example: code 14135 becomes 14135TR)  
Luminaires are supplied without lamps

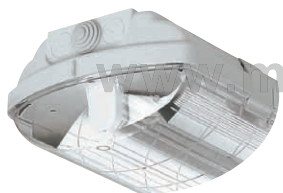
Note: minimum package 2 or multiple pieces, not possible to divide it.  
Closing clips in stainless steel are supplied with the body.



# leader | 21-01, 21-04



Version with narrow-beam reflector



## Interconnecting cables:

Set for the luminaire	3x1,5mm <sup>2</sup>	3x2,5mm <sup>2</sup>	5x1,5mm <sup>2</sup>	5x2,5mm <sup>2</sup>
18W	99-180	99-181	99-182	99-183
36W	99-184	99-185	99-186	99-187
58W	99-188	99-189	99-190	99-191

Code	Reflector	Power	Lamp	Cap	LxBxH (mm)	Kg
21-043/218/□Y	polished AL	2x18W	T8 lamp	G13	670x170x95	2,7
21-043/236/□Y	polished AL	2x36W	T8 lamp	G13	1280x170x95	3,7
21-043/258/□Y	polished AL	2x58W	T8 lamp	G13	1580x170x95	4,2
21-043/158/□YH	narrow-beam	1x58W	T8 lamp	G13	1580x170x95	3,9
21-043/180/CYH	narrow-beam	1x80W	T5 lamp	G5	1580x170x95	3,9

99-541 - a guard for 18/2x18W luminaires (1pc)  
 99-542 - a guard for 36/2x36W luminaires (1pc)  
 99-543 - a guard for 58/2x58W luminaires (1pc)  
 99-544 - stainless steel fasteners for 18/2x18W luminaires (4pcs)

99-545 - stainless steel fasteners for 36/2x36W luminaires (8pcs)  
 99-546 - stainless steel fasteners for 58/2x58W luminaires (10pcs)  
 99-547 - wall cantilevers (1pc) - for one luminaire 2pcs needed

## Ceiling and suspended industrial luminaires - IP 65

- white steel reflector 21-01
- highly polished aluminium reflector 21-04



## Material:

- body: injection molded, self-extinguishing UV stabilized polycarbonate
- color: gray RAL 7035
- reflector: white varnished steel sheet or pure aluminium sheet
- diffuser: polycarbonate

Degree of protection: IP 65

Rated voltage: 230V/50Hz

Control gear: low loss ballast or electronic ballast; dimmable ballast, emergency versions and fast connector-versions Wieland or Apolo by request

Mounting: separate or in-line mounting on ceilings or walls, suspension on chain pendants

The luminaires are supplied with ceiling holders (2pcs), lifting eyes (2pcs) and a lead-in insulator (1pc).

Accessories: a set of interconnecting cables (must be ordered separately)

Application: cellars, factory halls, storehouses, farms

Code	Power	Lamp	Cap	LxBxH (mm)	Kg
21-013/118/□Y	1x18W	T8 lamp	G13	670x170x95	2,0
21-013/136/□Y	1x36W	T8 lamp	G13	1280x170x95	3,0
21-013/158/□Y	1x58W	T8 lamp	G13	1580x170x95	3,4
21-013/218/□Y	2x18W	T8 lamp	G13	670x170x95	2,3
21-013/236/□Y	2x36W	T8 lamp	G13	1280x170x95	3,3
21-013/258/□Y	2x58W	T8 lamp	G13	1580x170x95	3,8
21-013/180/CY	1x80W	T5 lamp	G5	1580x170x95	3,4

□ - E (low loss ballast, parallel compensation)  
 - C (electronic ballast)

## Ceiling and suspended industrial luminaires - IP 66 - polycarbonate reflector



## BS100, BS100 Basic, | leader BS110



### Material:

- body: injection molded, self-extinguishing UV stabilized polycarbonate
- color: gray RAL 7035
- reflector: aluminium coated highly polished polycarbonate (BS100, BS110)  
white polycarbonate reflector (BS100 Basic)
- diffuser: polycarbonate

Degree of protection: IP 66

Rated voltage: 230V/50Hz

Control gear: electronic ballast, dimmable ballast and fast connector versions

Wieland or Apolo by request, the luminaires are also offered in emergency version

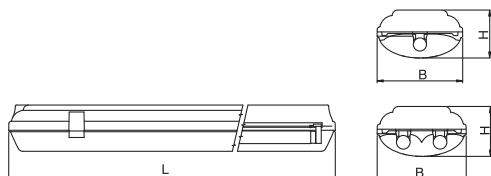
Mounting: separate or in-line mounting on ceilings or walls, suspension on chain pendants

The luminaires are supplied with ceiling holders (2pcs), lifting eyes (2pcs) and a lead-in insulator (1pc).

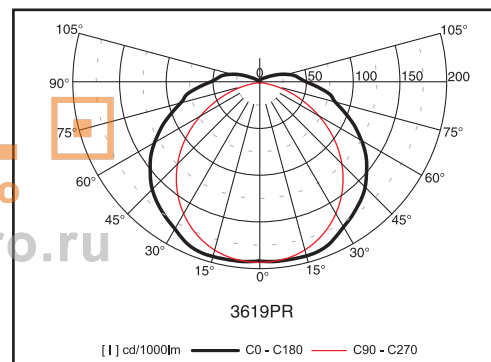
### Accessories: (must be ordered separately)

- 99-541 – a guard for 18/2x18W luminaires (1pc)
- 99-542 – a guard for 36/2x36W luminaires (1pc)
- 99-543 – a guard for 58/2x58W luminaires (1pc)
- 99-544 – stainless steel fasteners for 18/2x18W luminaires (4pcs)
- 99-545 – stainless steel fasteners for 36/2x36W luminaires (8pcs)
- 99-546 – stainless steel fasteners for 58/2x58W luminaires (10pcs)
- 99-547 – wall cantilevers (1pc) - for one luminaire 2pcs needed
- 8010 – a set of interconnecting cables for 58W
- 8012 – a set of interconnecting cables for 36W

Application: washrooms, factory halls, farms, cellars, storehouses

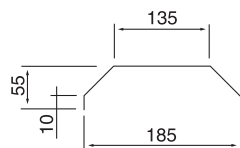
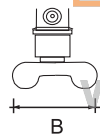


**MODUL**  
**ELECTRO**  
www.modulelectro.ru



	Code	Power	Lamp	Cap	LxBxH (mm)	Kg
BS100	3616PR	1x18W	T8 lamp	G13	670x170x95	1,5
	3618PR	1x36W	T8 lamp	G13	1280x170x95	2,4
	3620PR	1x58W	T8 lamp	G13	1580x170x95	2,9
	3617PR	2x18W	T8 lamp	G13	670x170x95	1,5
	3619PR	2x36W	T8 lamp	G13	1280x170x95	2,4
	3621PR	2x58W	T8 lamp	G13	1580x170x95	2,9
BS100 Basic	3619RE	2x36W	T8 lamp	G13	1280x170x95	2,4
	3621RE	2x58W	T8 lamp	G13	1580x170x95	2,9
BS110	3715	1x28W	T5 lamp	G5	1280x170x95	2,5
	3716	1x35W	T5 lamp	G5	1580x170x95	2,9
	3718	2x28W	T5 lamp	G5	1280x170x95	2,7
	3719	2x35W	T5 lamp	G5	1580x170x95	3,0
	3710	1x49W	T5 lamp	G5	1580x170x95	2,9
	3711	2x49W	T5 lamp	G5	1580x170x95	3,0
	3712	1x54W	T5 lamp	G5	1280x170x95	2,5
	3713	2x54W	T5 lamp	G5	1280x170x95	2,7

## Industrial luminaires



### Material:

- body: made of glass fibre reinforced polyester
- color: light gray RAL 7035

Degree of protection: IP 65

Rated voltage: 230V/50Hz

Control gear: low loss ballast or electronic ballast

Mounting: separate built up mounting on a ceiling or suspended on pendants

Accessories: (must be ordered separately)

steel sheet reflector, white painted

99-583 - for luminaires 36W - 1200mm

99-584 - for luminaires 58W - 1500mm

lamps protection tube made of PC

99-580 - for luminaires 18W

99-581 - for luminaires 36W

99-582 - for luminaires 58W

through wiring

99-193 - for luminaires 18 W

99-194 - for luminaires 36 W

99-195 - for luminaires 58 W

additional through wiring and pendants by request

Application: garages, factory halls, production lines, warehouses

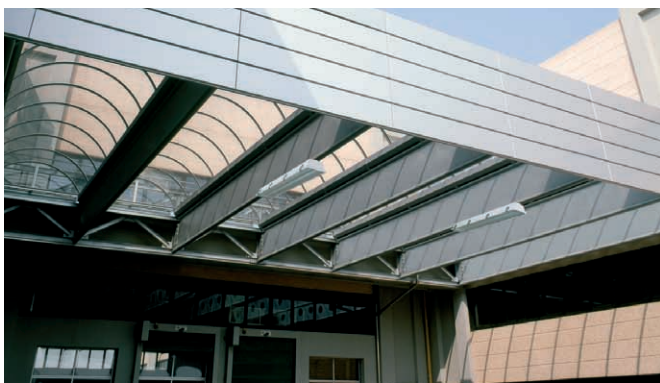
Code	Power	Lamp	Cap	LxBxH (mm)	Kg
23-013/118/□	1x18W	T8 lamp	G13	661x65,6x115	1,25
23-013/136/□	1x36W	T8 lamp	G13	1271x65,6x115	1,80
23-013/158/□	1x58W	T8 lamp	G13	1571x65,6x115	2,30
23-013/218/□	2x18W	T8 lamp	G13	661x117x115	1,35
23-013/236/□	2x36W	T8 lamp	G13	1271x117x115	2,60
23-013/258/□	2x58W	T8 lamp	G13	1571x117x115	3,35

□ - C (electronic ballast) - D (low loss ballast, non compensated)  
 - E (low loss ballast, parallel compensation)



## Industrial luminaires - white steel reflector

25-05, 25-07 | castor



### Material

- body:
  - 25-05 – made of white varnished steel sheet
  - 25-06 – made of stainless steel sheet (by request)
  - 25-07 – made of zinc coated steel sheet
- color: white RAL 9003 (25-05), zinc-coated (25-07), stainless steel (25-06)
- reflector: white varnished steel sheet
- diffuser: hardened glass

Closing clips are made of stainless steel or steel according to version of the luminaire.

**Degree of protection:** IP 65

**Rated voltage:** 230V/50Hz

**Control gear:** low loss ballast or electronic ballast; the luminaires are offered also in emergency version

**Mounting:** separate built-up mounting

The luminaires are supplied with lead-in insulator, blank flange, safety screws and big pad for ceiling mounting.

**Accessories (must be ordered separately)**

parabolic microlouvre

99-25C0 (1x36W, 2x36W)

99-25C1 (1x58W, 2x58W)

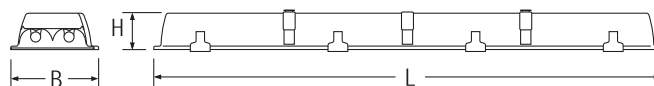
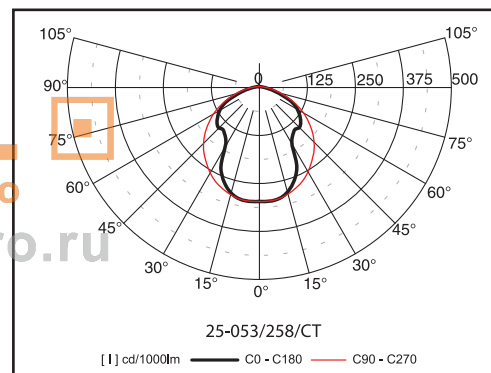
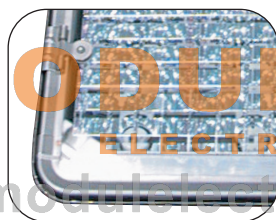
inserted reflectors

**Application:** cellars, industrial objects, warehouses

### Table of reflectors

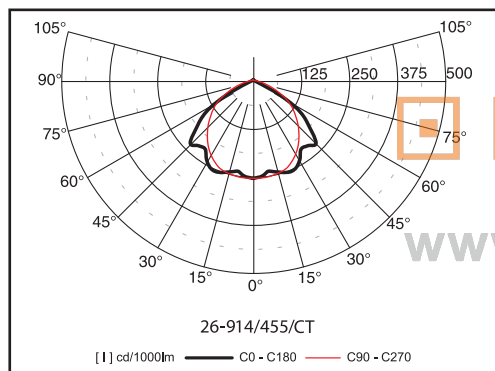
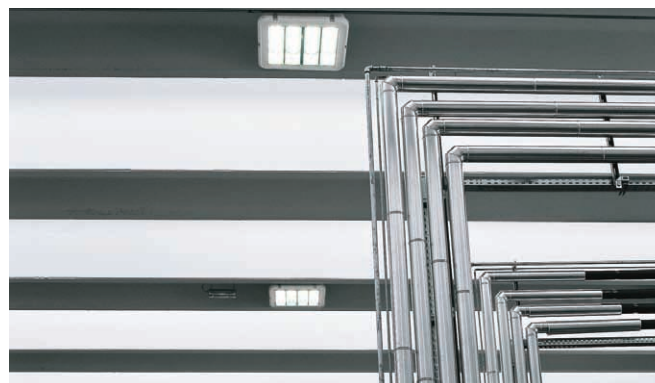
Reflector for luminaire	wide-beam	narrow-beam
1x18W	99-281/118	99-282/118
1x36W	99-281/136	99-282/136
1x58W	99-281/158	99-282/158
2x18W	99-281/218	99-282/218
2x36W	99-281/236	99-282/236
2x58W	99-281/258	99-282/258

99-25C Microlouvre



Code	Power	Lamp	Cap	LxBxH (mm)	Kg
25-053/118/□/△	1x18W	T8 lamp	G13	676x212x92	4,5
25-053/136/□/△	1x36W	T8 lamp	G13	1286x212x92	8,0
25-053/158/□/△	1x58W	T8 lamp	G13	1586x212x92	10,5
25-053/218/□/△	2x18W	T8 lamp	G13	676x212x92	4,5
25-053/236/□/△	2x36W	T8 lamp	G13	1286x212x92	8,5
25-053/258/□/△	2x58W	T8 lamp	G13	1586x212x92	11,5
25-073/118/□/△	1x18W	T8 lamp	G13	676x212x92	4,5
25-073/136/□/△	1x36W	T8 lamp	G13	1286x212x92	8,0
25-073/158/□/△	1x58W	T8 lamp	G13	1586x212x92	10,5
25-073/218/□/△	2x18W	T8 lamp	G13	676x212x92	4,5
25-073/236/□/△	2x36W	T8 lamp	G13	1286x212x92	8,5
25-073/258/□/△	2x58W	T8 lamp	G13	1586x212x92	11,5

□ - E (low loss ballast, parallel compensation) - C (electronic ballast)



### Material

- body: steel sheet finished by powder technology varnishing or stainless steel
- color: white RAL 9003
- cover: hardened glass or polycarbonate glass for IP65 version only (26-914, 26-924, 26-934, 26-944)

Degree of protection: IP 21/65

Rated voltage: 230V/50Hz

Control gear: electronic ballast; the luminaires are offered also in emergency version

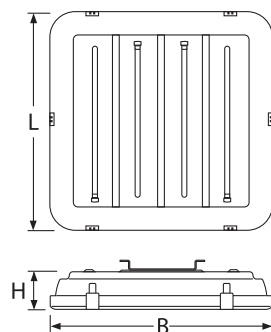
Mounting: built up on a ceiling

Accessories: (must be ordered separately)

99-695 - protective grill

Application: industrial objects, warehouses

The luminaires are supplied with lamps



IP	Code	Power	Body	Lamp	Cap	LxBxH (mm)	Reflector	Kg
65	26-914/455/C <sup>T</sup>	4x55W	metal sheet	compact fl. lamp	2G11	743x730x136	wide-beam	12,7
65	26-914/655/C <sup>T</sup>	6x55W	metal sheet	compact fl. lamp	2G11	743x730x136	wide-beam	12,7
65	26-924/455/C <sup>T</sup>	4x55W	metal sheet	compact fl. lamp	2G11	743x730x136	narrow-beam	12,7
65	26-934/455/C <sup>T</sup>	4x55W	stainless steel	compact fl. lamp	2G11	743x730x136	wide-beam	12,7
65	26-934/655/C <sup>T</sup>	6x55W	stainless steel	compact fl. lamp	2G11	743x730x136	wide-beam	12,7
65	26-944/455/C <sup>T</sup>	4x55W	stainless steel	compact fl. lamp	2G11	743x730x136	narrow-beam	12,7
21	26-954/455/C	4x55W	metal sheet	compact fl. lamp	2G11	743x730x136	wide-beam	9,5
21	26-954/655/C	6x55W	metal sheet	compact fl. lamp	2G11	743x730x136	wide-beam	9,5
21	26-964/455/C	4x55W	metal sheet	compact fl. lamp	2G11	743x730x136	narrow-beam	9,5
21	26-974/455/C	4x55W	stainless steel	compact fl. lamp	2G11	743x730x136	wide-beam	9,5
21	26-974/655/C	6x55W	stainless steel	compact fl. lamp	2G11	743x730x136	wide-beam	9,5
21	26-984/455/C	4x55W	stainless steel	compact fl. lamp	2G11	743x730x136	narrow-beam	9,5

<sup>T</sup> - T (hardened glass) - Y (polycarbonate glass)

## Industrial luminaires

40-01 | leo



### Material:

- body: rubber gear box and transparent plastic cover
- color: black RAL 9005

Degree of protection: IP 54

Rated voltage: 230V/50Hz

Mounting: on hinged hook

The luminaire is suitable for application with mercury discharge lamp for operation without ballast (max. input 160W).

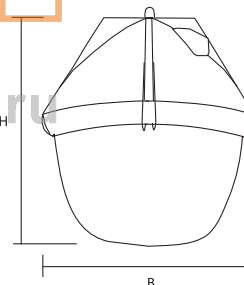
For example:

- HWL 160 (Osram)
- HSB-BW 160 (Sylvania)

**Application:** farms, metallurgical plants, mine pits, belt, transporters, lift shafts, building sites, industrial buildings

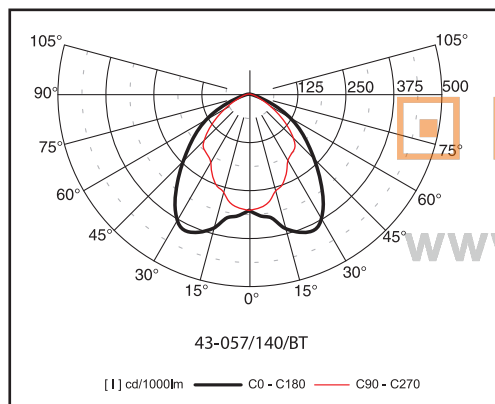
 **MODULO**   
**ELECTRO**

[www.modulelectro.ru](http://www.modulelectro.ru)



Code	Power	Lamp	Cap	BxH (mm)	Kg
40-011/115/+Y	1x150W	incandescent lamp	E27	260x295	2,2

# aterix | 43-05, 43-06



Accessories:



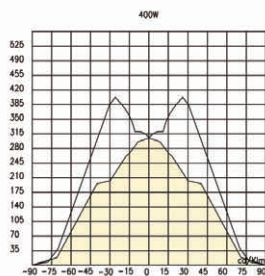
99-825



99-826



99-827



## Industrial luminaires



### Material

- body: steel sheet finished by powder technology varnishing
- color: white RAL 9003
- reflector: pure oxidized hammered aluminium sheet (43-05 symmetric; 43-06 asymmetric)
- diffuser: tempered glass resistant to bumps and thermal shocks

**Degree of protection:** IP 65

**Rated voltage:** 230V/50Hz

**Control gear:** standard ballast with parallel compensation

**Mounting:** on wall or on ceiling, on revolving cantilever, recessed mounting

**Accessories:** lamp is supplied with the luminaire (see the chart)

**Must be ordered separately:**

99-825 - protective grill from zinc-coated steel

99-826 - revolving cantilever

99-827 - border for recessed mounting

**Application:** sport stadiums, industrial and commercial premises, gas stations

Code	Power	Lamp	Cap	LxBxH (mm)
43-056/125/BT	1x250W	h.p. sodium lamp HST	E40	664x360x225
43-056/140/BT	1x400W	h.p. sodium lamp HST	E40	664x360x225
43-057/125/BT+ <sup>1</sup>	1x250W	metal halide lamp HIT	E40	664x360x225
43-057/140/BT+ <sup>1</sup>	1x400W	metal halide lamp HIT	E40	664x360x225
43-066/125/BT	1x250W	h.p. sodium lamp HST	E40	664x360x225
43-066/140/BT	1x400W	h.p. sodium lamp HST	E40	664x360x225
43-067/125/BT+ <sup>1</sup>	1x250W	metal halide lamp HIT	E40	664x360x225
43-067/140/BT+ <sup>1</sup>	1x400W	metal halide lamp HIT	E40	664x360x225

<sup>1</sup> - versions with metal halide lamp:

- 1 - mercury control gear
- 2 - sodium control gear

## Industrial luminaires

43-09 | aterix



### Material:

- body: steel sheet finished by powder technology varnishing
- color: white RAL 9003
- reflector: pure, oxidized hammered aluminium sheet
- diffuser: tempered glass resistant to bumps and thermal shocks

Degree of protection: IP 65

Rated voltage: 230V/50Hz

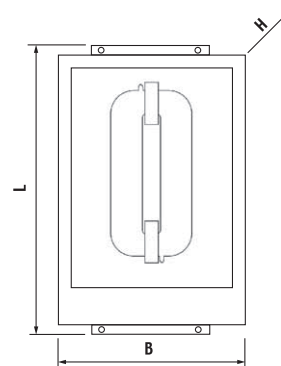
Control gear: quicktronic Endura

Mounting: on a ceiling

Accessories: luminaire is supplied with lamp Osram Endura

Application: sport stadiums, industrial areas, business areas, gas stations

**MODULO**  
ELECTRO  
www.modulelectro.ru



Code	Power	Lamp	LxBxH [mm]
43-093/110/BT	1x100W	Osram Endura	664x360x225
43-093/115/BT	1x150W	Osram Endura	664x360x225

### Osram Endura

- Discharge in this lamp has no starting or end point.  
The closed "ring" enables a discharge to take place without electrodes.
- Produced for premises where changing of lamps is too expensive (in the tunnels, factory lighting,...)
- Extremely long life 60 000 hours
- High luminous flux 12 000lm /150W
- High luminous efficiency of 80lm/W
- Low ignition temperature (as low -40°C depending on the ECG)



## Industrial luminaires

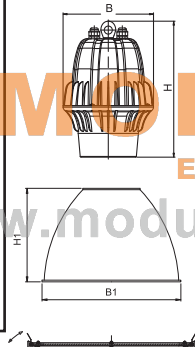
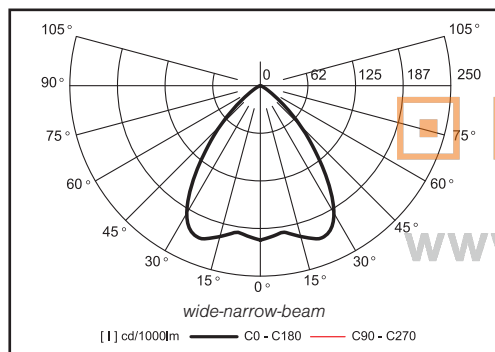
Reflector, diameter 520mm:

99-569/520 - polycarbonate reflector

Glass covers, diameter 520mm:

99-590/520 - polycarbonate glass cover

99-578/520 - tempered glass cover



### Material:

- body: the gear box is made of die-cast aluminium finished by powder technology varnishing
- color: gray RAL 9006

Degree of protection: IP 23/65

Rated voltage: 230V/50Hz

Control gear: standard ballast with parallel compensation, luminaires are prepared for continuous mounting (looping)

Mounting: suspended on hook

Accessories: lamp is supplied with the luminaire

It is possible to change the position of light source considering the reflector and get three different types of light distribution curve

While using the luminaire without glass cover, it is necessary to use particular lamp.

**Must be ordered separately:**

- reflector (aluminium, polycarbonate)
- glass cover (for IP65)
- protective grill 99-258/500 (only for aluminium reflector 99-558/500)

While using the gear box on 400W polycarbonate reflector has not to be covered by any type of glass cover.

Gear box:

Code	Power	Lamp	Cap	∅ BxH (mm)	Kg
45-005/125/B	1x250W	h.p. mercury lamp	E40	226x340	7,2
45-005/140/B	1x400W	h.p. mercury lamp	E40	226x340	7,9
45-006/125/B	1x250W	h.p. sodium lamp	E40	226x340	7,2
45-006/140/B	1x400W	h.p. sodium lamp	E40	226x340	7,9
45-007/125/B++ <sup>1</sup>	1x250W	metal halide lamp	E40	226x340	7,2
45-007/140/B++ <sup>1</sup>	1x400W	metal halide lamp	E40	226x340	7,9

Reflectors: Description ∅ B1xH1 (mm)

99-558/500	aluminium reflector	494x295	1,0
99-569/520	polycarbonate reflector	516x316	1,9

Glass covers:

99-578/500	tempered glass cover	∅ 500	2,0
99-578/520	tempered glass cover	∅ 520	2,2
99-590/520	polycarbonate glass cover	∅ 520	2,0

<sup>1</sup> - versions with metal halide lamp:

1 - mercury control gear, 2 - sodium control gear



Reflector, diameter 500mm:

99-558/500 - aluminium reflector

Protective grill 99-258/500



Glass cover, diameter 500mm:

99-578/500 - tempered glass cover

## Industrial luminaires

# 45-01 | leone

Gear box:  
(included the lamp)

Reflector, diameter 500mm:  
99-558/500 - aluminium reflector

Glass cover, diameter 500mm:  
99-578/500 - tempered glass cover



### Material:

- body: the gear box is made of die-cast aluminium finished by powder technology varnishing
- color: gray RAL 9006

Degree of protection: IP 23/65

Rated voltage: 230V/50Hz

Control gear: standard ballast with parallel compensation

Mounting: suspended on hook

Accessories: lamp is supplied with the luminaire

While using the luminaire without glass cover, it is necessary to use particular lamp.

Must be ordered separately:

- reflector (aluminium, polycarbonate)
- glass cover (for IP65)
- protective grill 99-258/500 (only for aluminium reflector 99-558/500)

Application: factory halls, warehouses, exhibition halls, supermarkets

While using the gear box on 400W polycarbonate reflector has not to be covered by any type of glass cover.

Reflector, diameter 520mm: 99-569/520 - polycarbonate reflector



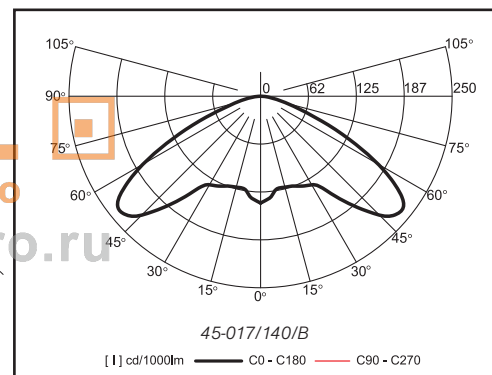
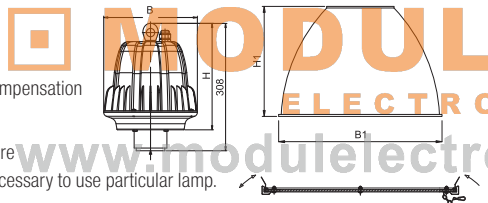
Protective grill 99-258/500



Glass covers, diameter 520mm:

99-590/520 - polycarbonate glass cover

99-578/520 - tempered glass cover



Gear box:

Code	Power	Lamp	Cap	ØBxH (mm)	Kg
45-015/125/B	1x250W	h.p. mercury lamp	E40	226x257	6,7
45-015/140/B	1x400W	h.p. mercury lamp	E40	226x257	7,4
45-016/125/B	1x250W	h.p. sodium lamp	E40	226x257	6,7
45-016/140/B	1x400W	h.p. sodium lamp	E40	226x257	7,4
45-017/125/B++	1x250W	metal halide lamp	E40	226x257	6,7
45-017/140/B++	1x400W	metal halide lamp	E40	226x257	7,4

Reflectors:	Description	ØB1xH1 (mm)	
99-558/500	aluminium reflector	494x295	1,0
99-569/520	polycarbonate reflector	516x316	1,9

Glass covers:		Ø	
99-578/500	tempered glass cover	Ø 500	2,0
99-578/520	tempered glass cover	Ø 520	2,2
99-590/520	polycarbonate glass cover	Ø 520	2,0

4 - versions with metal halide lamp:

1 - mercury control gear, 2 - sodium control gear

# leone | 45-02, 45-03 (26W~150W)

## Industrial luminaires



### Cover glasses: Description ØB1 (mm)

99-578/320	tempered glass	Ø316
99-578/350	tempered glass	Ø350
99-578/420	tempered glass	Ø416
99-577/320	acrylate clear	Ø316
99-577/420	acrylate clear	Ø416
99-576/320	acrylate opal	Ø316
99-576/420	acrylate opal	Ø416

### Reflectors: Description ØB1xH1 (mm)

99-558/350	aluminium	350x247
99-568/320	acrylate clear	316x191
99-568/420	acrylate clear	416x281
99-588/320	acrylate opal	316x191
99-588/420	acrylate opal	416x281

### Material:

- body: the gearbox is made of steel sheet finished by powder technology varnishing
- 45-02 with IP 23, 45-03 made of perforated steel sheet with IP 20
- color: gray RAL 9006

Degree of protection: IP 23, IP 20

Rated voltage: 230V/50Hz

Control gear: standard ballast with parallel compensation, low loss or electronic ballast (for CFL only)

Mounting: suspended on hook

Accessories: lamp is supplied with the luminaire

While using the luminaire without glass cover, it is necessary to use particular lamp.

**Must be ordered separately:**

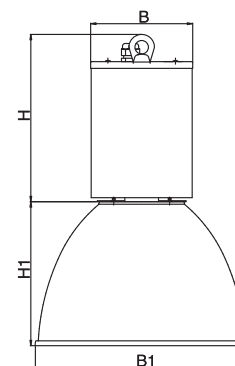
- reflector (aluminium, acrylate)
- glass cover (glass, acrylate)

Application: factory halls, warehouses, exhibition halls, supermarkets

### Gear box:

Code for IP 23	Code for IP 20	Power	Lamp	Cap	ØBxH (mm)
45-024/126/□	45-034/126/□	1x26W	compact fl. lamp TC-TEL	GX 24d(q)-3	152x250
45-024/132/C	45-034/132/C	1x32W	compact fl. lamp TC-TEL	GX 24q-3	152x250
45-024/142/C	45-034/142/C	1x42W	compact fl. lamp TC-TEL	GX 24q-4	152x250
45-024/157/C	45-034/157/C	1x57W	compact fl. lamp TC-TEL	GX 24q-5	152x250
45-026/135/B	45-036/135/B	1x35W	h.p. sodium lamp SDW-T	PG12	152x250
45-026/105/B	45-036/105/B	1x50W	h.p. sodium lamp SDW-T	PG12	152x250
45-026/110/B	45-036/110/B	1x100W	h.p. sodium lamp SDW-T	PG12	152x250
45-027/135/□	45-037/135/B	1x35W	metal halide lamp HIT-CRI	G12	152x250
45-027/107/□	45-037/107/B	1x70W	metal halide lamp HIT-CRI	G12	152x250
45-027/115/□	45-037/115/B	1x150W	metal halide lamp HIT-CRI	G12	152x250

□ - E (low loss ballast) - C (electronic ballast)







## Material

- body: the gear box is made of die-cast aluminium finished by powder technology varnishing
- color of body: black RAL 9005
- reflector: aluminium

Degree of protection: IP 23/65

Rated voltage: 230V/50Hz

Control gear: standard ballast with parallel compensation

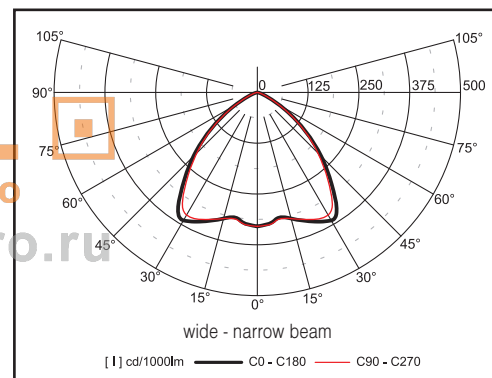
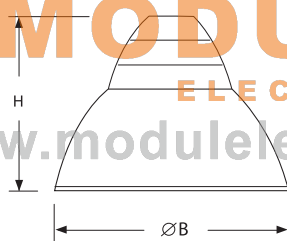
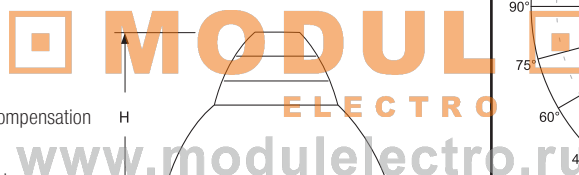
Mounting: suspended on hook

Accessories: lamp is supplied with the luminaire  
the unit is provided of a three poles crew connector,  
ballast with thermal protection and lamp - holder adjustable in  
6 different positins.

Possible to order separately:

13393 - protective grid

Application: factory halls, warehouses, exhibition halls, supermarkets

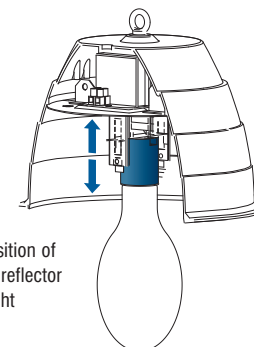


IP	Code	Power	Lamp	Version	Cap	ØBxH (mm)	Kg
23	13402	1x250W	metal halide lamp	1	E40	590x493	11,5
23	13403	1x400W	metal halide lamp	1	E40	590x493	12,0
23	13404	1x250W	metal halide lamp	2	E40	590x493	11,5
23	13405	1x400W	metal halide lamp	2	E40	590x493	12,0
65	13394	1x250W	metal halide lamp	1	E40	590x493	13,5
65	13395	1x400W	metal halide lamp	1	E40	590x493	14,0
65	13396	1x250W	metal halide lamp	2	E40	590x493	13,5
65	13397	1x400W	metal halide lamp	2	E40	590x493	14,0

Metal halide lamp version:

1 - mercury control gear

2 - sodium control gear



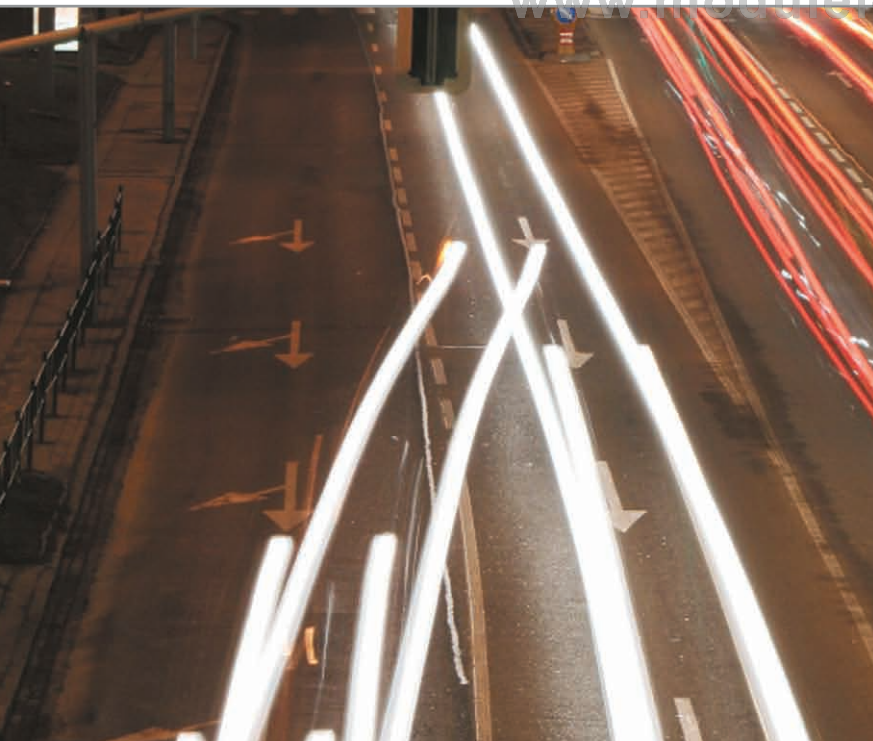
Possibility to change the position of light source considering the reflector and get different types of light distribution curve.



**MODUL**

streetlights & floodlights

[www.modulelectro.ru](http://www.modulelectro.ru)



Beghelli



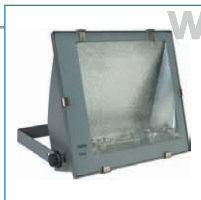
Tereza 50-01 132



Santo 0146 134



Santo 0147 135



Krono 5611-261 136



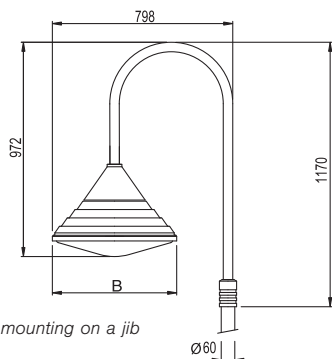
Euro 5611-270 137



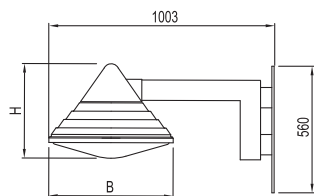
Marco 5611-280 138

MODULO  
ELECTRO

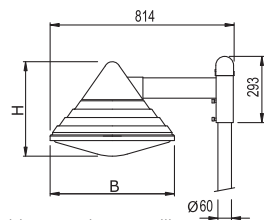
www.modulelectro.ru



top mounting on a jib



side mounting on a wall



side mounting on a jib

### Material:

- body: the gearbox and the lamp-body are plastic moldings carrying the lamp holder; the gearbox is covered by a plastic lid
- color: black RAL 9005
- reflector: a steel sheet finished by powder technology varnishing
- cover: polycarbonate (transparent or opal)

Degree of protection: IP 23/54

Rated voltage: 230V/50Hz

Control gear: standard ballast with parallel compensation

Mounting: on a jib - side mounting (50-01), on a jib - top mounting (50-03)

Accessories: jibs (must be ordered separately - see Jibs of the series 50)

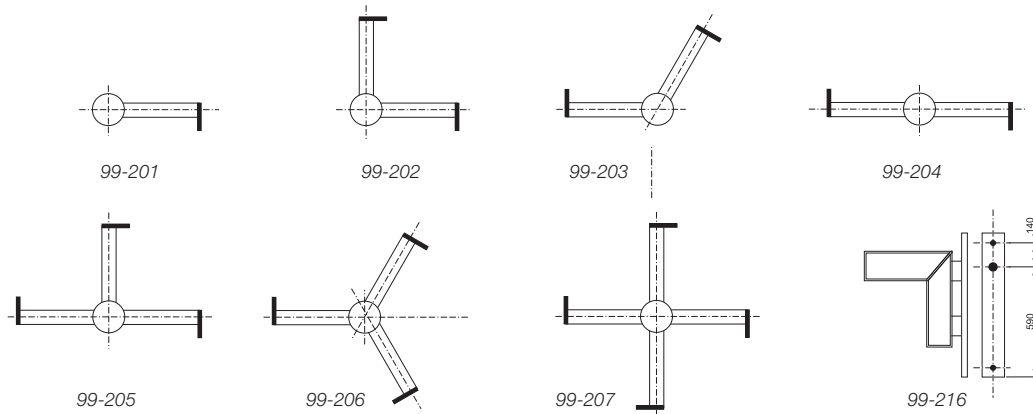
Application: pedestrian precincts, quietened down areas, parks, side-walk ways

MODUL  
ELECTRO  
www.modul.cz

Code	Power	Diffuser	Lamp	Cap	BxH (mm)	Kg
50-016/107/BY	1x70W	transparent	h.p. sodium lamp	E27	550x422	7,5
50-016/107/BZ	1x70W	opal	h.p. sodium lamp	E27	550x422	7,5
50-016/110/BY	1x100W	transparent	h.p. sodium lamp	E27	550x422	7,8
50-016/110/BZ	1x100W	opal	h.p. sodium lamp	E27	550x422	7,8
50-017/110/BY	1x100W	transparent	metal hal. lamp	E27	550x422	7,8
50-017/110/BZ	1x100W	opal	metal hal. lamp	E27	550x422	7,8
50-017/115/BY	1x150W	transparent	metal hal. lamp	E27	550x422	8,0
50-017/115/BZ	1x150W	opal	metal hal. lamp	E27	550x422	8,0
50-036/107/BY	1x70W	transparent	h.p. sodium lamp	E27	550x422	7,5
50-036/107/BZ	1x70W	opal	h.p. sodium lamp	E27	550x422	7,5
50-036/110/BY	1x100W	transparent	h.p. sodium lamp	E27	550x422	7,8
50-036/110/BZ	1x100W	opal	h.p. sodium lamp	E27	550x422	7,8
50-037/110/BY	1x100W	transparent	metal hal. lamp	E27	550x422	7,8
50-037/110/BZ	1x100W	opal	metal hal. lamp	E27	550x422	7,8
50-037/115/BY	1x150W	transparent	metal hal. lamp	E27	550x422	8,0
50-037/115/BZ	1x150W	opal	metal hal. lamp	E27	550x422	8,0

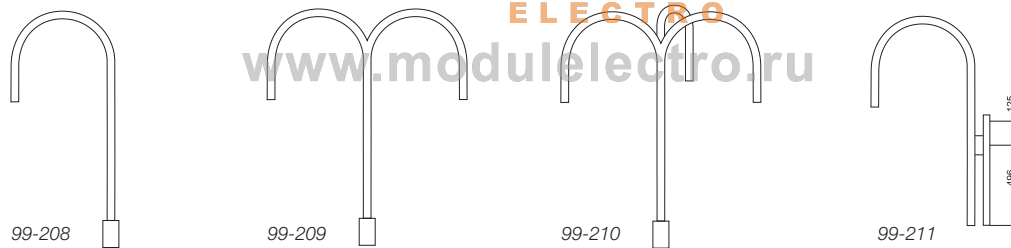
# Jibs of the series 50 | tereza

## straight jib (on wall or lamp-post; $\varnothing$ 60mm)

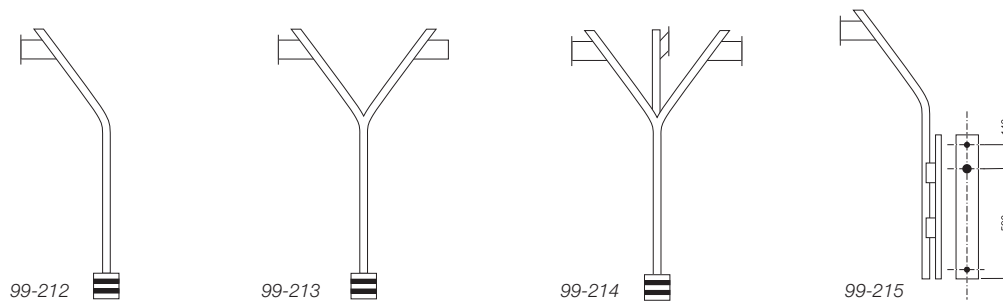


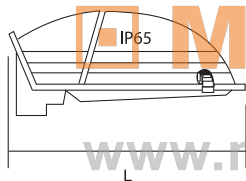
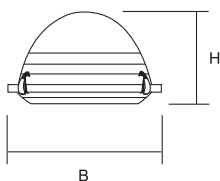
## MODUL

## arched jib (on wall or lamp-post $\varnothing$ 60mm)



## angular jib (on wall or lamp-post $\varnothing$ 60mm)





### Material:

- body: the cover box is made of UV stabilized polypropylene (PP) reinforced by glass fibres, the gear box is made of UV stabilized polycarbonate (PC) reinforced by glass fibres
- color: gray
- reflector: polished aluminium sheet
- diffuser: hardened glass

**Degree of protection:** optical part IP 65/gear box IP 43

**Rated voltage:** 230V/50Hz

**Control gear:** standard ballast with parallel compensation

**Mounting:** universal mounting on stand or jib (Ø42~60mm)

**Application:** traffics and subsidiary roads, parking sites, industrial areas, roundabouts

Lamp is not supplied with the luminaire.

Code	Power	Lamp	Cap	LxBxH (mm)	Kg
0146-HM1050FGC	1x50W	mercury lamp	E27	500x310x190	4,7
0146-HM1080FGC	1x80W	mercury lamp	E27	500x310x190	4,7
0146-HM1125FGC	1x125W	mercury lamp .	E27	500x310x190	4,7
0146-HS1050FGC	1x50W	h.p. sodium/ metal hal. lamp	E27	500x310x190	4,7
0146-HS1070FGC	1x70W	h.p. sodium/ metal hal. lamp	E27	500x310x190	4,7

## Streetlights

0147 | santo



### Material:

- body: the cover box is made of UV stabilized polypropylene (PP) reinforced by glass fibres, the gear box is made of UV stabilized polycarbonate (PC) reinforced by glass fibres
- color: gray
- reflector: polished aluminium sheet
- diffuser: hardened glass

**Degree of protection:** optical part IP 65/gear box IP 43

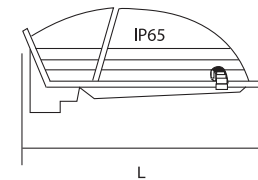
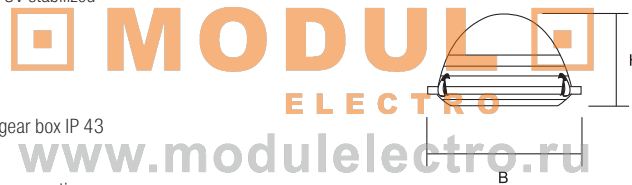
**Rated voltage:** 230V/50Hz

**Control gear:** standard ballast with parallel compensation

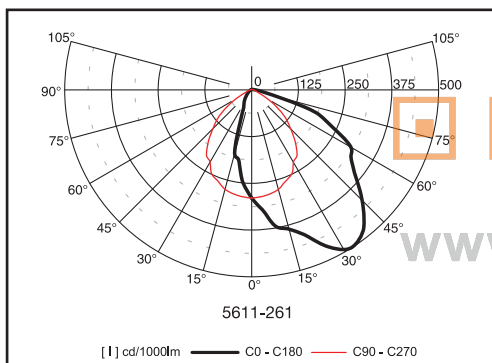
**Mounting:** universal mounting on stand or jib (Ø42~60mm)

**Application:** traffics and subsidiary roads, parking sites, industrial areas, roundabouts

Lamp is not supplied with the luminaire.



Code	Power	Lamp	Cap	LxBxH (mm)	Kg
0147-HM1250FGC	1x250W	mercury lamp	E40	620x380x220	6,3
0147-HS1100FGC	1x100W	h.p. sodium/ metal hal. lamp	E40	620x380x220	5,8
0147-HS1150FGC	1x150W	h.p. sodium/ metal hal. lamp	E40	620x380x220	5,8
0147-HS1250FGC	1x250W	h.p. sodium/ metal hal. lamp	E40	620x380x220	6,3



### Material:

- body: made of die-cast aluminium
- color: gray
- reflector: asymmetric

Degree of protection: IP 65

Rated voltage: 230V/50Hz

Control gear: standard ballast with parallel compensation

Mounting: on a revolving bracket

Accessories: (must be ordered separately)

5611-292 – gear box for lamps HQI-T and HPI-T 1000W

5611-293 – gear box for lamps NAV-T and SON-T 1000W

Application: large edifices, sport stadiums, historical buildings

Lamp is not supplied with the luminaire.

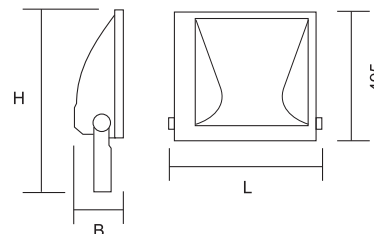
Minimal order quantity is 40pcs.

The distance of gearbox with ignitor from luminaire must not exceed 20m.

Gear box  
5611-292  
(12,8kg)



Gear box  
5611-293  
(12,8kg)

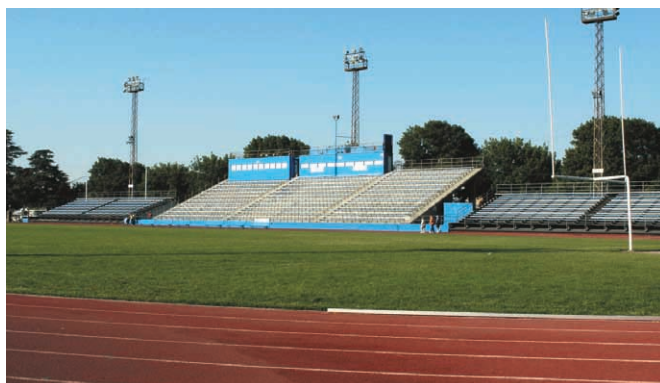


Code	Power	Power supply	Cap	LxBxH (mm)	Kg
5611-261	1x1000W	230V	E40	440x210x690	16,5



5611-270 | euro

## Floodlights



### Material:

- body: made of die-cast aluminium
- color: black
- reflector: symmetric

Degree of protection: IP 65

Rated voltage: 230V/50Hz

Control gear: standard ballast with parallel compensation

Mounting: on a revolving bracket

Accessories: (must be ordered separately)

5611-292 – gear box for lamps HQI-T and HPI-T 1000W

5611-293 – gear box for lamps NAV-T and SON-T 1000W

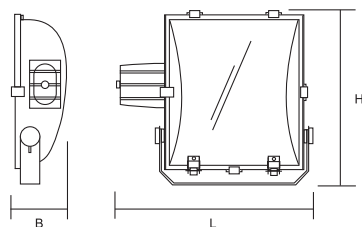
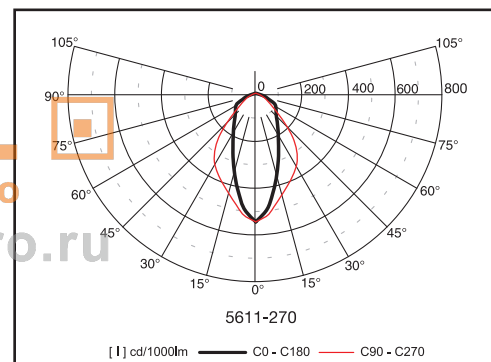
Application: large edifices, sport stadiums, historical buildings

Lamp is not supplied with the luminaire.

Minimal order quantity is 40pcs.

The distance of gearbox with ignitor from luminaire must not exceed 20m.

**MODUL**  
ELECTRO  
www.modulelectro.ru

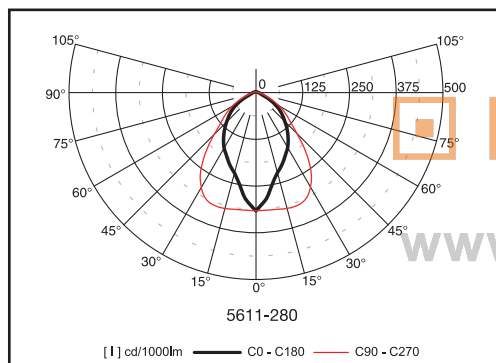
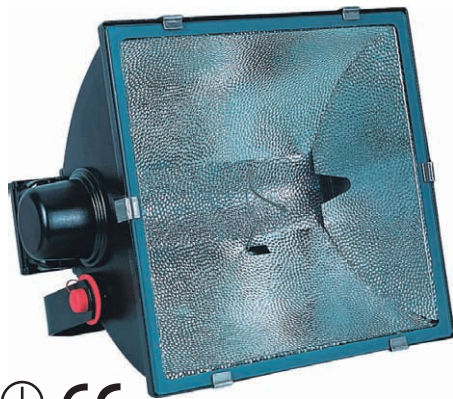


Gear box  
5611-292  
(12,8kg)



Gear box  
5611-293  
(12,8kg)

Code	Power	Power supply	Cap	LxBxH (mm)	Kg
5611-270	1x1000W	230V	E40	600x162x525	8,5



### Material:

- body: made of die-cast aluminium
- color: black
- reflector: symmetric

Degree of protection: IP 65

Rated voltage: 380V/50Hz

Control gear: standard ballast with parallel compensation

Mounting: on a revolving bracket

Accessories: (must be ordered separately)

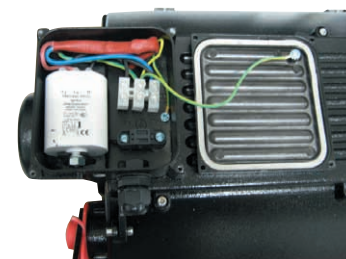
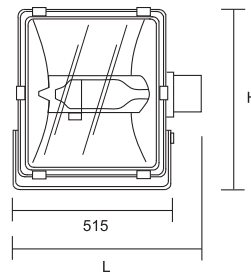
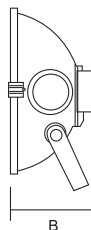
5611-296 - gear box for lamps HQI-T and HPI-T 2000W

Application: large edifices, sport stadiums, historical buildings

Lamp is not supplied with the luminaire.

Minimal order quantity is 27 pcs.

Gear box  
5611-296  
(15,8kg)



Position of ignitor

Code	Power	Power supply	Cap	LxBxH (mm)	Kg
5611-280	1x2000W	380V	E40	590x295x520	13,5



**MODUL**  
ELECTRO  
[www.modulelectro.ru](http://www.modulelectro.ru)

# Index

Code	page	Code	page	Code	page	Code	page
3710	119	14120	108, 109	14813	112	03-013/228/CB+2	14
3711	119	14121	108, 109	14814	112	03-013/228/CC+1	14
3712	119	14122	108	14815	112	03-013/228/CC+2	14
3713	119	14123	108	14842	112	03-013/235/CB+1	14
3715	119	14124	108	14843	112	03-013/235/CB+2	14
3716	119	14124	117	14846	112	03-013/235/CC+1	14
3718	119	14128	117	14847	112	03-013/235/CC+2	14
3719	119	14135	117	0146-HM1050FGC	134	03-013/236/CB+1	14
8010	119	14136	115	0146-HM1080FGC	134	03-013/236/CB+2	14
8012	119	14149	117	0146-HM1125FGC	134	03-013/236/CC+1	14
13114	116	14154	117	0146-HS1050FGC	134	03-013/236/CC+2	14
13124	116	14158	115	0146-HS1070FGC	134	03-013/236/CD+1	14
13128	116	14214	117	0147-HM1250FGC	135	03-013/236/CD+2	14
13135	116	14218	115	0147-HS1100FGC	135	03-013/236/CJ+1	14
13149	116	14224	117	0147-HS1150FGC	135	03-013/236/CJ+2	14
13154	116	14228	117	0147-HS1250FGC	135	03-013/236/EB+1	14
13180	116	14235	117	02-013/114/C	12	03-013/236/EB+2	14
13214	116	14236	115	02-013/128/C	12	03-013/236/EC+1	14
13224	116	14249	117	02-013/135/C	12	03-013/236/EC+2	14
13228	116	14258	115	02-023/114/C	12	03-013/236/ED+1	14
13235	116	14618	114	02-023/128/C	12	03-013/236/ED+2	14
13249	116	14619	114	02-023/135/C	12	03-013/236/EJ+1	14
13254	116	14620	114	02-033/214/C	13	03-013/236/EJ+2	14
13393	129	14621	114	02-033/228/C	13	03-013/258/CB+1	14
13394	129	14700	55	02-033/235/C	13	03-013/258/CB+2	14
13395	129	14701	55	02-043/214/C	13	03-013/258/CC+1	14
13396	129	14702	55	02-043/228/C	13	03-013/258/CC+2	14
13397	129	14703	55	02-043/235/C	13	03-013/258/CD+1	14
13402	129	14708	55	03-000/218	16	03-013/258/CD+2	14
13403	129	14709	55	03-000/236	16	03-013/258/CJ+1	14
13404	129	14710	55	03-000/258	16	03-013/258/CJ+2	14
13405	129	14711	55	03-003/218	16	03-013/258/EB+1	14
13616	114	14723	54	03-013/214/CB+1	14	03-013/258/EB+2	14
13617	114	14724	54	03-013/214/CB+2	14	03-013/258/EC+1	14
13618	114	14725	54	03-013/214/CC+1	14	03-013/258/EC+2	14
13619	114	14726	54	03-013/214/CC+2	14	03-013/258/ED+1	14
13620	114	14740	54	03-013/218/CB+1	14	03-013/258/ED+2	14
13621	114	14741	54	03-013/218/CB+2	14	03-013/258/EJ+1	14
14100	109	14742	54	03-013/218/CC+1	14	03-013/258/EJ+2	14
14101	109	14750	54	03-013/218/CC+2	14	03-023/214/CB	15
14102	109	14751	54	03-013/218/CD+1	14	03-023/214/CC	15
14103	108	14770	54	03-013/218/CD+2	14	03-023/218/CB	15
14104	108	14771	54	03-013/218/CJ+1	14	03-023/218/CC	15
14105	108	14772	54	03-013/218/CJ+2	14	03-023/218/CD	15
14106	108	14773	54	03-013/218/EB+1	14	03-023/218/CJ	15
14107	108	14800	113	03-013/218/EB+2	14	03-023/218/EB	15
14108	108	14801	113	03-013/218/EC+1	14	03-023/218/EC	15
14110	108	14802	113	03-013/218/EC+2	14	03-023/218/ED	15
14111	108	14803	113	03-013/218/ED+1	14	03-023/218/EJ	15
14112	108	14804	113	03-013/218/ED+2	14	03-023/228/CB	15
14113	108	14805	113	03-013/218/EJ+1	14	03-023/228/CC	15
14114	117	14811	112	03-013/218/EJ+2	14	03-023/235/CB	15
14118	115	14812	112	03-013/228/CB+1	14	03-023/235/CC	15

Code	page	Code	page	Code	page	Code	page
03-023/236/CB	15	04-013/118/CC	17	05-013/158/EB	19	09-013/228/CJ	22
03-023/236/CC	15	04-013/118/CP	17	05-013/158/EC	19	09-013/235/CB	22
03-023/236/CD	15	04-013/118/CZ	17	05-013/228/CB	19	09-013/235/CC	22
03-023/236/CJ	15	04-013/118/EB	17	05-013/228/CC	19	09-013/235/CD	22
03-023/236/EB	15	04-013/118/EC	17	05-013/235/CB	19	09-013/235/CJ	22
03-023/236/EC	15	04-013/118/EP	17	05-013/235/CC	19	09-033/128/CB	23
03-023/236/ED	15	04-013/118/EZ	17	05-013/236/CB	19	09-033/128/CC	23
03-023/236/EJ	15	04-013/128/CB	17	05-013/236/CC	19	09-033/128/CD	23
03-023/258/CB	15	04-013/128/CC	17	05-013/236/EB	19	09-033/128/CJ	23
03-023/258/CC	15	04-013/128/CP	17	05-013/236/EC	19	09-033/135/CB	23
03-023/258/CD	15	04-013/128/CZ	17	05-013/258/CB	19	09-033/135/CC	23
03-023/258/CJ	15	04-013/135/CB	17	05-013/258/CC	19	09-033/135/CD	23
03-023/258/EB	15	04-013/135/CC	17	05-013/258/EB	19	09-033/135/CJ	23
03-023/258/EC	15	04-013/135/CP	17	05-013/258/EC	19	09-033/228/CB	23
03-023/258/ED	15	04-013/135/CZ	17	05-033/128/CB	20	09-033/228/CC	23
03-023/258/EJ	15	04-013/136/CB	17	05-033/128/CC	20	09-033/228/CD	23
03-033/214/CB	16	04-013/136/CC	17	05-033/135/CB	20	09-033/228/CJ	23
03-033/214/CC	16	04-013/136/CP	17	05-033/135/CC	20	09-033/235/CB	23
03-033/218/CB	16	04-013/136/CZ	17	05-033/228/CB	20	09-033/235/CC	23
03-033/218/CC	16	04-013/136/EB	17	05-033/228/CC	20	09-033/235/CD	23
03-033/218/CD	16	04-013/136/EC	17	05-033/235/CB	20	09-033/235/CJ	23
03-033/218/CJ	16	04-013/136/EP	17	05-033/235/CC	20	09-043/228/CB	22
03-033/218/EB	16	04-013/136/EZ	17	07-053/128/CB	21	09-043/228/CC	22
03-033/218/EC	16	04-013/158/CB	17	07-053/128/CD	21	09-043/228/CD	22
03-033/218/ED	16	04-013/158/CC	17	07-053/135/CB	21	09-043/228/CJ	22
03-033/218/EJ	16	04-013/158/CP	17	07-053/135/CC	21	09-043/235/CB	22
03-033/228/CB	16	04-013/158/CZ	17	07-053/149/CB	21	09-043/235/CC	22
03-033/228/CC	16	04-013/158/EB	17	07-053/149/CC	21	09-043/235/CD	22
03-033/235/CB	16	04-013/158/EC	17	07-053/154/CB	21	09-043/235/CJ	22
03-033/235/CC	16	04-013/158/EP	17	07-053/154/CC	21	09-063/228/CB	23
03-033/236/CB	16	04-013/158/EZ	17	07-053/180/CB	21	09-063/228/CC	23
03-033/236/CC	16	05-003/128/C	18	07-053/180/CC	21	09-063/228/CD	23
03-033/236/CD	16	05-003/135/C	18	07-053/228/CB	21	09-063/228/CJ	23
03-033/236/CJ	16	05-003/136/C	18	07-053/228/CC	21	09-063/235/CB	23
03-033/236/EB	16	05-003/136/E	18	07-053/235/CB	21	09-063/235/CC	23
03-033/236/EC	16	05-003/158/C	18	07-053/235/CC	21	09-063/235/CD	23
03-033/236/ED	16	05-003/158/E	18	07-053/249/CB	21	09-063/235/CJ	23
03-033/236/EJ	16	05-003/228/C	18	07-053/249/CC	21	11-000/118	35
03-033/258/CB	16	05-003/235/C	18	07-053/254/CB	21	11-000/136	35
03-033/258/CC	16	05-003/236/C	18	07-053/254/CC	21	11-000/158	35
03-033/258/CD	16	05-003/236/E	18	07-053/280/CB	21	11-000/218	35
03-033/258/CJ	16	05-003/258/C	18	07-053/280/CC	21	11-000/236	35
03-033/258/EB	16	05-003/258/E	18	09-013/128/CB	22	11-000/258	35
03-033/258/EC	16	05-013/128/CB	19	09-013/128/CC	22	11-003/118	35
03-033/258/ED	16	05-013/128/CC	19	09-013/128/CD	22	11-003/218	35
03-033/258/EJ	16	05-013/135/CB	19	09-013/128/CJ	22	11-013/118/CA	24
03-100/218	16	05-013/135/CC	19	09-013/135/CB	22	11-013/118/CB	24
03-103/218	16	05-013/136/CB	19	09-013/135/CC	22	11-013/118/CC	24
04-013/114/CB	17	05-013/136/CC	19	09-013/135/CD	22	11-013/118/CD	24
04-013/114/CC	17	05-013/136/EB	19	09-013/135/CJ	22	11-013/118/CJ	24
04-013/114/CP	17	05-013/136/EC	19	09-013/228/CB	22	11-013/118/CX	24
04-013/114/CZ	17	05-013/158/CB	19	09-013/228/CC	22	11-013/118/CZ	24
04-013/118/CB	17	05-013/158/CC	19	09-013/228/CD	22	11-013/118/EA	24

# Index

Code	page	Code	page	Code	page	Code	page
11-013/118/EB	24	11-013/236/CB	24	11-013/336/EX	24	11-013/458/EC	24
11-013/118/EC	24	11-013/236/CC	24	11-013/336/EZ	24	11-013/458/ED	24
11-013/118/ED	24	11-013/236/CD	24	11-013/358/CA	24	11-013/458/EJ	24
11-013/118/EJ	24	11-013/236/CJ	24	11-013/358/CB	24	11-013/458/EX	24
11-013/118/EX	24	11-013/236/CX	24	11-013/358/CC	24	11-013/458/EZ	24
11-013/118/EZ	24	11-013/236/CZ	24	11-013/358/CD	24	11-014/236/CB	25
11-013/136/CA	24	11-013/236/EA	24	11-013/358/CJ	24	11-014/236/CC	25
11-013/136/CB	24	11-013/236/EB	24	11-013/358/CX	24	11-014/236/CD	25
11-013/136/CC	24	11-013/236/EC	24	11-013/358/CZ	24	11-014/236/CJ	25
11-013/136/CD	24	11-013/236/ED	24	11-013/358/EA	24	11-014/236/EB	25
11-013/136/CI	26	11-013/236/EJ	24	11-013/358/EB	24	11-014/236/EC	25
11-013/136/CJ	24	11-013/236/EX	24	11-013/358/EC	24	11-014/236/ED	25
11-013/136/CX	24	11-013/236/EZ	24	11-013/358/ED	24	11-014/236/EJ	25
11-013/136/CZ	24	11-013/258/CA	24	11-013/358/EJ	24	11-014/255/CB	25
11-013/136/EA	24	11-013/258/CB	24	11-013/358/EX	24	11-014/255/CC	25
11-013/136/EB	24	11-013/258/CC	24	11-013/358/EZ	24	11-014/255/CD	25
11-013/136/EC	24	11-013/258/CD	24	11-013/418/CA	24	11-014/255/CJ	25
11-013/136/ED	24	11-013/258/CJ	24	11-013/418/CB	24	11-014/336/CB	25
11-013/136/EI	26	11-013/258/CX	24	11-013/418/CC	24	11-014/336/CC	25
11-013/136/EJ	24	11-013/258/CZ	24	11-013/418/CD	24	11-014/336/CD	25
11-013/136/EX	24	11-013/258/EA	24	11-013/418/CJ	24	11-014/336/CJ	25
11-013/136/EZ	24	11-013/258/EB	24	11-013/418/CX	24	11-014/336/EB	25
11-013/158/CA	24	11-013/258/EC	24	11-013/418/CZ	24	11-014/336/EC	25
11-013/158/CB	24	11-013/258/ED	24	11-013/418/EA	24	11-014/336/ED	25
11-013/158/CC	24	11-013/258/EJ	24	11-013/418/EB	24	11-014/336/EJ	25
11-013/158/CD	24	11-013/258/EX	24	11-013/418/EC	24	11-014/355/CB	25
11-013/158/CI	26	11-013/258/EZ	24	11-013/418/ED	24	11-014/355/CC	25
11-013/158/CJ	24	11-013/318/CA	24	11-013/418/EJ	24	11-014/355/CD	25
11-013/158/CX	24	11-013/318/CB	24	11-013/418/EX	24	11-014/355/CJ	25
11-013/158/CZ	24	11-013/318/CC	24	11-013/418/EZ	24	11-023/118/CA	27
11-013/158/EA	24	11-013/318/CD	24	11-013/436/CA	24	11-023/118/CB	27
11-013/158/EB	24	11-013/318/CJ	24	11-013/436/CB	24	11-023/118/CC	27
11-013/158/EC	24	11-013/318/CX	24	11-013/436/CC	24	11-023/118/CD	27
11-013/158/ED	24	11-013/318/CZ	24	11-013/436/CD	24	11-023/118/CJ	27
11-013/158/EI	26	11-013/318/EA	24	11-013/436/CJ	24	11-023/118/CX	27
11-013/158/EJ	24	11-013/318/EB	24	11-013/436/CX	24	11-023/118/EA	27
11-013/158/EX	24	11-013/318/EC	24	11-013/436/CZ	24	11-023/118/EB	27
11-013/158/EZ	24	11-013/318/ED	24	11-013/436/EA	24	11-023/118/EC	27
11-013/218/CA	24	11-013/318/EJ	24	11-013/436/EB	24	11-023/118/ED	27
11-013/218/CB	24	11-013/318/EX	24	11-013/436/EC	24	11-023/118/EJ	27
11-013/218/CC	24	11-013/318/EZ	24	11-013/436/ED	24	11-023/118/EX	27
11-013/218/CD	24	11-013/336/CA	24	11-013/436/EJ	24	11-023/136/CA	27
11-013/218/CJ	24	11-013/336/CB	24	11-013/436/EX	24	11-023/136/CB	27
11-013/218/CX	24	11-013/336/CC	24	11-013/436/EZ	24	11-023/136/CC	27
11-013/218/CZ	24	11-013/336/CD	24	11-013/458/CA	24	11-023/136/CD	27
11-013/218/EA	24	11-013/336/CJ	24	11-013/458/CB	24	11-023/136/CI	26
11-013/218/EB	24	11-013/336/CX	24	11-013/458/CC	24	11-023/136/CJ	27
11-013/218/EC	24	11-013/336/CZ	24	11-013/458/CD	24	11-023/136/CX	27
11-013/218/ED	24	11-013/336/EA	24	11-013/458/CJ	24	11-023/136/EA	27
11-013/218/EJ	24	11-013/336/EB	24	11-013/458/CX	24	11-023/136/EB	27
11-013/218/EX	24	11-013/336/EC	24	11-013/458/CZ	24	11-023/136/EC	27
11-013/218/EZ	24	11-013/336/ED	24	11-013/458/EA	24	11-023/136/ED	27
11-013/236/CA	24	11-013/336/EJ	24	11-013/458/EB	24	11-023/136/EI	26

Code	page	Code	page	Code	page	Code	page
11-023/136/EJ	27	11-033/118/CB	28	11-033/236/EA	28	12-013/218/EJ	29
11-023/136/EX	27	11-033/118/CC	28	11-033/236/EB	28	12-013/236/CA	29
11-023/158/CA	27	11-033/118/CD	28	11-033/236/EC	28	12-013/236/CB	29
11-023/158/CB	27	11-033/118/CJ	28	11-033/236/ED	28	12-013/236/CC	29
11-023/158/CC	27	11-033/118/CX	28	11-033/236/EJ	28	12-013/236/CD	29
11-023/158/CD	27	11-033/118/EA	28	11-033/236/EX	28	12-013/236/CJ	29
11-023/158/CI	26	11-033/118/EB	28	11-033/258/CA	28	12-013/236/CX	29
11-023/158/CJ	27	11-033/118/EC	28	11-033/258/CB	28	12-013/236/CZ	29
11-023/158/CX	27	11-033/118/ED	28	11-033/258/CC	28	12-013/236/EA	29
11-023/158/EA	27	11-033/118/EJ	28	11-033/258/CD	28	12-013/236/EB	29
11-023/158/EB	27	11-033/118/EX	28	11-033/258/CJ	28	12-013/236/EC	29
11-023/158/EC	27	11-033/136/CA	28	11-033/258/CX	28	12-013/236/ED	29
11-023/158/ED	27	11-033/136/CB	28	11-033/258/EA	28	12-013/236/EJ	29
11-023/158/EI	26	11-033/136/CC	28	11-033/258/EB	28	12-013/236/EX	29
11-023/158/EJ	27	11-033/136/CD	28	11-033/258/EC	28	12-013/236/EZ	29
11-023/158/EX	27	11-033/136/CJ	28	11-033/258/ED	28	12-013/258/CA	29
11-023/218/CA	27	11-033/136/CX	28	11-033/258/EJ	28	12-013/258/CB	29
11-023/218/CB	27	11-033/136/EA	28	11-033/258/EX	28	12-013/258/CC	29
11-023/218/CC	27	11-033/136/EB	28	11-100/118	35	12-013/258/CD	29
11-023/218/CD	27	11-033/136/EC	28	11-100/218	35	12-013/258/CJ	29
11-023/218/CJ	27	11-033/136/ED	28	11-103/118	35	12-013/258/CX	29
11-023/218/CX	27	11-033/136/EJ	28	11-103/218	35	12-013/258/CZ	29
11-023/218/EA	27	11-033/136/EX	28	12-000/118	35	12-013/258/EA	29
11-023/218/EB	27	11-033/158/CA	28	12-000/158	35	12-013/258/EB	29
11-023/218/EC	27	11-033/158/CB	28	12-000/218	35	12-013/258/EC	29
11-023/218/ED	27	11-033/158/CC	28	12-000/236	35	12-013/258/ED	29
11-023/218/EJ	27	11-033/158/CD	28	12-000/258	35	12-013/258/EJ	29
11-023/218/EX	27	11-033/158/CJ	28	12-003/118	35	12-013/258/EX	29
11-023/236/CA	27	11-033/158/CX	28	12-003/218	35	12-013/318/CA	29
11-023/236/CB	27	11-033/158/EA	28	12-013/118/CA	29	12-013/318/CD	29
11-023/236/CC	27	11-033/158/EB	28	12-013/118/CD	29	12-013/318/CJ	29
11-023/236/CD	27	11-033/158/EC	28	12-013/118/CJ	29	12-013/318/EA	29
11-023/236/CJ	27	11-033/158/ED	28	12-013/118/EA	29	12-013/318/ED	29
11-023/236/CX	27	11-033/158/EJ	28	12-013/118/ED	29	12-013/318/EJ	29
11-023/236/EA	27	11-033/158/EX	28	12-013/118/EJ	29	12-013/336/CA	29
11-023/236/EB	27	11-033/218/CA	28	12-013/136/CA	29	12-013/336/CD	29
11-023/236/EC	27	11-033/218/CB	28	12-013/136/CD	29	12-013/336/CJ	29
11-023/236/ED	27	11-033/218/CC	28	12-013/136/CJ	29	12-013/336/EA	29
11-023/236/EJ	27	11-033/218/CD	28	12-013/136/EA	29	12-013/336/ED	29
11-023/236/EX	27	11-033/218/CJ	28	12-013/136/ED	29	12-013/336/EJ	29
11-023/258/CA	27	11-033/218/CX	28	12-013/158/EJ	29	12-013/358/CA	29
11-023/258/CB	27	11-033/218/EA	28	12-013/158/CA	29	12-013/358/CD	29
11-023/258/CC	27	11-033/218/EB	28	12-013/158/CD	29	12-013/358/CJ	29
11-023/258/CD	27	11-033/218/EC	28	12-013/158/CJ	29	12-013/358/EA	29
11-023/258/CJ	27	11-033/218/ED	28	12-013/158/EA	29	12-013/358/ED	29
11-023/258/CX	27	11-033/218/EJ	28	12-013/158/ED	29	12-013/358/EJ	29
11-023/258/EA	27	11-033/218/EX	28	12-013/158/EJ	29	12-013/418/CA	29
11-023/258/EB	27	11-033/236/CA	28	12-013/218/CA	29	12-013/418/CD	29
11-023/258/EC	27	11-033/236/CB	28	12-013/218/CD	29	12-013/418/CJ	29
11-023/258/ED	27	11-033/236/CC	28	12-013/218/CJ	29	12-013/418/EA	29
11-023/258/EJ	27	11-033/236/CD	28	12-013/218/EA	29	12-013/418/ED	29
11-023/258/EX	27	11-033/236/CJ	28	12-013/218/ED	29	12-013/418/EJ	29
11-033/118/CA	28	11-033/236/CX	28				



# Index

Code	page	Code	page	Code	page	Code	page
12-013/436/CA	29	12-033/118/EJ	31	12-053/218/ED	30	13-013/135/CZ	32
12-013/436/CD	29	12-033/136/CA	31	12-053/218/EJ	30	13-013/214/CB	32
12-013/436/CJ	29	12-033/136/CD	31	12-053/236/CA	30	13-013/214/CC	32
12-013/436/EA	29	12-033/136/CJ	31	12-053/236/CD	30	13-013/214/CD	32
12-013/436/ED	29	12-033/136/EA	31	12-053/236/CJ	30	13-013/214/CJ	32
12-013/436/EJ	29	12-033/136/ED	31	12-053/236/EA	30	13-013/214/CX	32
12-013/458/CA	29	12-033/136/EJ	31	12-053/236/ED	30	13-013/214/CZ	32
12-013/458/CD	29	12-033/158/CA	31	12-053/236/EJ	30	13-013/228/CB	32
12-013/458/CJ	29	12-033/158/CD	31	12-053/258/CA	30	13-013/228/CC	32
12-013/458/EA	29	12-033/158/CJ	31	12-053/258/CD	30	13-013/228/CD	32
12-013/458/ED	29	12-033/158/EA	31	12-053/258/CJ	30	13-013/228/CJ	32
12-013/458/EJ	29	12-033/158/ED	31	12-053/258/EA	30	13-013/228/CX	32
12-023/118/CA	30	12-033/158/EJ	31	12-053/258/ED	30	13-013/228/CZ	32
12-023/118/CD	30	12-033/218/CA	31	12-053/258/EJ	30	13-013/235/CB	32
12-023/118/CJ	30	12-033/218/CD	31	12-063/218/CA	31	13-013/235/CC	32
12-023/118/EA	30	12-033/218/CJ	31	12-063/218/CD	31	13-013/235/CD	32
12-023/118/ED	30	12-033/218/EA	31	12-063/218/CJ	31	13-013/235/CJ	32
12-023/118/EJ	30	12-033/218/ED	31	12-063/218/EA	31	13-013/235/CX	32
12-023/136/CA	30	12-033/218/EJ	31	12-063/218/ED	31	13-013/235/CZ	32
12-023/136/CD	30	12-033/236/CA	31	12-063/218/EJ	31	13-013/314/CB	32
12-023/136/CJ	30	12-033/236/CD	31	12-063/236/CA	31	13-013/314/CC	32
12-023/136/EA	30	12-033/236/CJ	31	12-063/236/CD	31	13-013/314/CD	32
12-023/136/ED	30	12-033/236/EA	31	12-063/236/CJ	31	13-013/314/CJ	32
12-023/136/EJ	30	12-033/236/ED	31	12-063/236/EA	31	13-013/314/CX	32
12-023/158/CA	30	12-033/236/EJ	31	12-063/236/ED	31	13-013/314/CZ	32
12-023/158/CD	30	12-033/258/CA	31	12-063/236/EJ	31	13-013/328/CB	32
12-023/158/CJ	30	12-033/258/CD	31	12-063/258/CA	31	13-013/328/CC	32
12-023/158/EA	30	12-033/258/CJ	31	12-063/258/CD	31	13-013/328/CD	32
12-023/158/ED	30	12-033/258/EA	31	12-063/258/CJ	31	13-013/328/CJ	32
12-023/158/EJ	30	12-033/258/ED	31	12-063/258/EA	31	13-013/328/CX	32
12-023/218/CA	30	12-033/258/EJ	31	12-063/258/ED	31	13-013/328/CZ	32
12-023/218/CD	30	12-043/218/CA	29	12-063/258/EJ	31	13-013/414/CB	32
12-023/218/CJ	30	12-043/218/CD	29	12-100/118	35	13-013/414/CC	32
12-023/218/EA	30	12-043/218/CJ	29	12-100/218	35	13-013/414/CD	32
12-023/218/ED	30	12-043/218/EA	29	12-103/118	35	13-013/414/CJ	32
12-023/218/EJ	30	12-043/218/ED	29	12-103/218	35	13-013/414/CX	32
12-023/236/CA	30	12-043/218/EJ	29	13-013/114/CB	32	13-013/414/CZ	32
12-023/236/CD	30	12-043/236/CA	29	13-013/114/CC	32	13-013/428/CB	32
12-023/236/CJ	30	12-043/236/CD	29	13-013/114/CD	32	13-013/428/CC	32
12-023/236/EA	30	12-043/236/CJ	29	13-013/114/CJ	32	13-013/428/CD	32
12-023/236/ED	30	12-043/236/EA	29	13-013/114/CX	32	13-013/428/CJ	32
12-023/236/EJ	30	12-043/236/ED	29	13-013/114/CZ	32	13-013/428/CX	32
12-023/258/CA	30	12-043/236/EJ	29	13-013/128/CB	32	13-013/428/CZ	32
12-023/258/CD	30	12-043/258/CA	29	13-013/128/CC	32	13-023/114/CB	33
12-023/258/CJ	30	12-043/258/CD	29	13-013/128/CD	32	13-023/114/CC	33
12-023/258/EA	30	12-043/258/CJ	29	13-013/128/CJ	32	13-023/114/CD	33
12-023/258/ED	30	12-043/258/EA	29	13-013/128/CX	32	13-023/114/CJ	33
12-023/258/EJ	30	12-043/258/ED	29	13-013/128/CZ	32	13-023/128/CB	33
12-033/118/CA	31	12-043/258/EJ	29	13-013/135/CB	32	13-023/128/CC	33
12-033/118/CD	31	12-053/218/CA	30	13-013/135/CC	32	13-023/128/CD	33
12-033/118/CJ	31	12-053/218/CD	30	13-013/135/CD	32	13-023/128/CJ	33
12-033/118/EA	31	12-053/218/CJ	30	13-013/135/CJ	32	13-023/135/CB	33
12-033/118/ED	31	12-053/218/EA	30	13-013/135/CX	32	13-023/135/CC	33

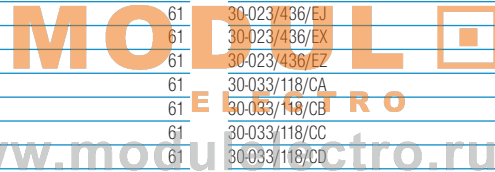


Code	page	Code	page	Code	page	Code	page
13-023/135/CD	33	13-043/235/CJ	32	14806/214	113	15-023/258/EC	37
13-023/135/CJ	33	13-043/235/CX	32	14806/228	113	15-033/128/CB	38
13-023/214/CB	33	13-043/235/CZ	32	14806/235	113	15-033/128/CC	38
13-023/214/CC	33	13-053/214/CB	33	14806/249	113	15-033/135/CB	38
13-023/214/CD	33	13-053/214/CC	33	14806/254	113	15-033/135/CC	38
13-023/214/CJ	33	13-053/214/CD	33	14806/280	113	15-033/136/CB	38
13-023/228/CB	33	13-053/214/CJ	33	15-013/128/CB	36	15-033/136/CC	38
13-023/228/CC	33	13-053/228/CB	33	15-013/128/CC	36	15-033/136/EB	38
13-023/228/CD	33	13-053/228/CC	33	15-013/135/CB	36	15-033/136/EC	38
13-023/228/CJ	33	13-053/228/CD	33	15-013/135/CC	36	15-033/158/CB	38
13-023/235/CB	33	13-053/228/CJ	33	15-013/136/CB	36	15-033/158/CC	38
13-023/235/CC	33	13-053/235/CB	33	15-013/136/CC	36	15-033/158/EB	38
13-023/235/CD	33	13-053/235/CC	33	15-013/136/EB	36	15-033/158/EC	38
13-023/235/CJ	33	13-053/235/CD	33	15-013/136/EC	36	15-033/228/CB	38
13-033/114/CB	34	13-053/235/CJ	33	15-013/158/CB	36	15-033/228/CC	38
13-033/114/CC	34	13-063/214/CB	34	15-013/158/CC	36	15-033/235/CB	38
13-033/114/CD	34	13-063/214/CC	34	15-013/158/EB	36	15-033/235/CC	38
13-033/114/CJ	34	13-063/214/CD	34	15-013/158/EC	36	15-033/236/CB	38
13-033/128/CB	34	13-063/214/CJ	34	15-013/228/CB	36	15-033/236/CC	38
13-033/128/CC	34	13-063/228/CB	34	15-013/228/CC	36	15-033/236/EB	38
13-033/128/CD	34	13-063/228/CC	34	15-013/235/CB	36	15-033/236/EC	38
13-033/128/CJ	34	13-063/228/CD	34	15-013/235/CC	36	15-033/258/CB	38
13-033/135/CB	34	13-063/228/CJ	34	15-013/236/CB	36	15-033/258/CC	38
13-033/135/CC	34	13-063/235/CB	34	15-013/236/CC	36	15-033/258/EB	38
13-033/135/CD	34	13-063/235/CC	34	15-013/236/EB	36	15-033/258/EC	38
13-033/135/CJ	34	13-063/235/CD	34	15-013/236/EC	36	15-043/328/CB	39
13-033/214/CB	34	13-063/235/CJ	34	15-013/258/CB	36	15-043/328/CC	39
13-033/214/CC	34	13616RE	114	15-013/258/CC	36	15-043/328/RB	39
13-033/214/CD	34	13617RE	114	15-013/258/EB	36	15-043/328/RC	39
13-033/214/CJ	34	13618RE	114	15-013/258/EC	36	15-043/328/SB	39
13-033/228/CB	34	13619RE	114	15-023/128/CB	37	15-043/328/SC	39
13-033/228/CC	34	13620RE	114	15-023/128/CC	37	15-043/328/TB	39
13-033/228/CD	34	13621RE	114	15-023/135/CB	37	15-043/328/TC	39
13-033/228/CJ	34	14118TR	115	15-023/135/CC	37	15-043/335/CB	39
13-033/235/CB	34	14136TE	115	15-023/136/CB	37	15-043/335/CC	39
13-033/235/CC	34	14136TR	115	15-023/136/CC	37	15-043/335/RB	39
13-033/235/CD	34	14158TE	115	15-023/136/EB	37	15-043/335/RC	39
13-033/235/CJ	34	14158TR	115	15-023/136/EC	37	15-043/335/SB	39
13-043/214/CB	32	14218TR	115	15-023/158/CB	37	15-043/335/SC	39
13-043/214/CC	32	14236TE	115	15-023/158/CC	37	15-043/335/TB	39
13-043/214/CD	32	14236TR	115	15-023/158/EB	37	15-043/335/TC	39
13-043/214/CJ	32	14258TE	115	15-023/158/EC	37	15-043/349/CB	39
13-043/214/CX	32	14258TR	115	15-023/228/CB	37	15-043/349/CC	39
13-043/214/CZ	32	14618RE	114	15-023/228/CC	37	15-043/349/RB	39
13-043/228/CB	32	14619RE	114	15-023/235/CB	37	15-043/349/RC	39
13-043/228/CC	32	14620RE	114	15-023/235/CC	37	15-043/349/SB	39
13-043/228/CD	32	14621RE	114	15-023/236/CB	37	15-043/349/SC	39
13-043/228/CJ	32	14806/114	113	15-023/236/CC	37	15-043/349/TB	39
13-043/228/CX	32	14806/128	113	15-023/236/EB	37	15-043/349/TC	39
13-043/228/CZ	32	14806/135	113	15-023/236/EC	37	15-043/354/CB	39
13-043/235/CB	32	14806/149	113	15-023/258/CB	37	15-043/354/CC	39
13-043/235/CC	32	14806/154	113	15-023/258/CC	37	15-043/354/RB	39
13-043/235/CD	32	14806/180	113	15-023/258/EB	37	15-043/354/RC	39

# Index

Code	page	Code	page	Code	page	Code	page
15-043/354/SB	39	17-013/436/E	41	18-044/236/E	43	25-053/158/ET	121
15-043/354/SC	39	17-013/458/C	41	18-044/255/C	43	25-053/218/CT	121
15-043/354/TB	39	17-013/458/E	41	19-014/255/CZ	44	25-053/218/ET	121
15-043/354/TC	39	17-033/236/C	60	19-014/355/CZ	44	25-053/236/CT	121
15-043/380/CB	39	17-033/236/E	60	19-024/255/CZ	44	25-053/236/ET	121
15-043/380/CC	39	17-033/258/C	60	19-024/355/CZ	44	25-053/258/CT	121
15-043/380/RB	39	17-033/258/E	60	19-034/455/CZ	44	25-053/258/ET	121
15-043/380/RC	39	17-033/336/C	60	19-034/655/CZ	44	25-073/118/CT	121
15-043/380/SB	39	17-033/336/E	60	21-013/118/CY	118	25-073/118/ET	121
15-043/380/SC	39	17-033/358/C	60	21-013/118/EY	118	25-073/136/CT	121
15-043/380/TB	39	17-033/358/E	60	21-013/136/CY	118	25-073/136/ET	121
15-043/380/TC	39	17-033/436/C	60	21-013/136/EY	118	25-073/158/CT	121
15-053/228/CB	40	17-033/436/E	60	21-013/158/CY	118	25-073/158/ET	121
15-053/228/CC	40	17-033/458/C	60	21-013/158/EY	118	25-073/218/CT	121
15-053/228/RB	40	17-033/458/E	60	21-013/180/CY	118	25-073/218/ET	121
15-053/228/RC	40	18-013/118/C	42	21-013/218/CY	118	25-073/236/CT	121
15-053/228/SB	40	18-013/118/E	42	21-013/218/EY	118	25-073/236/ET	121
15-053/228/SC	40	18-013/136/C	42	21-013/236/CY	118	25-073/258/CT	121
15-053/228/TB	40	18-013/136/E	42	21-013/236/EY	118	25-073/258/ET	121
15-053/228/TC	40	18-013/158/C	42	21-013/258/CY	118	26-914/455/CT	122
15-053/235/CB	40	18-013/158/E	42	21-013/258/EY	118	26-914/455/CY	122
15-053/235/CC	40	18-014/155/C	42	21-043/158/CYH	118	26-914/655/CT	122
15-053/235/RB	40	18-014/236/C	42	21-043/158/EYH	118	26-914/655/CY	122
15-053/235/RC	40	18-014/236/E	42	21-043/180/CYH	118	26-924/455/CT	122
15-053/235/SB	40	18-014/255/C	42	21-043/218/CY	118	26-924/455/CY	122
15-053/235/SC	40	18-023/118/C	42	21-043/218/EY	118	26-934/455/CT	122
15-053/235/TB	40	18-023/118/E	42	21-043/236/CY	118	26-934/455/CY	122
15-053/235/TC	40	18-023/136/C	42	21-043/236/EY	118	26-934/655/CT	122
15-053/249/CB	40	18-023/136/E	42	21-043/258/CY	118	26-934/655/CY	122
15-053/249/CC	40	18-023/158/C	42	21-043/258/EY	118	26-944/455/CT	122
15-053/249/RB	40	18-023/158/E	42	23-013/118/C	120	26-944/455/CY	122
15-053/249/RC	40	18-024/155/C	42	23-013/118/D	120	26-954/455/C	122
15-053/249/SB	40	18-024/236/C	42	23-013/118/E	120	26-954/655/C	122
15-053/249/SC	40	18-024/236/E	42	23-013/136/C	120	26-964/455/CT	122
15-053/249/TB	40	18-024/255/C	42	23-013/136/D	120	26-974/455/C	122
15-053/249/TC	40	18-033/118/C	43	23-013/136/E	120	26-974/655/C	122
15-053/254/CB	40	18-033/118/E	43	23-013/158/C	120	26-984/455/C	122
15-053/254/CC	40	18-033/136/C	43	23-013/158/D	120	29-023/228/CB	69
15-053/254/RB	40	18-033/136/E	43	23-013/158/E	120	29-023/254/CB	69
15-053/254/RC	40	18-033/158/C	43	23-013/218/C	120	29-023/314/CB	69
15-053/254/SB	40	18-033/158/E	43	23-013/218/D	120	29-023/414/CB	69
15-053/254/SC	40	18-034/155/C	43	23-013/218/E	120	30-023/118/CA	61
15-053/254/TB	40	18-034/236/C	43	23-013/236/C	120	30-023/118/CB	61
15-053/254/TC	40	18-034/236/E	43	23-013/236/D	120	30-023/118/CC	61
17-013/236/C	41	18-034/255/C	43	23-013/236/E	120	30-023/118/CD	61
17-013/236/E	41	18-043/118/C	43	23-013/258/C	120	30-023/118/CJ	61
17-013/258/C	41	18-043/118/E	43	23-013/258/D	120	30-023/118/CX	61
17-013/258/E	41	18-043/136/C	43	23-013/258/E	120	30-023/118/CZ	61
17-013/336/C	41	18-043/136/E	43	25-053/118/CT	121	30-023/118/EA	61
17-013/336/E	41	18-043/158/C	43	25-053/118/ET	121	30-023/118/EB	61
17-013/358/C	41	18-043/158/E	43	25-053/136/CT	121	30-023/118/EC	61
17-013/358/E	41	18-044/155/C	43	25-053/136/ET	121	30-023/118/ED	61
17-013/436/C	41	18-044/236/C	43	25-053/158/CT	121	30-023/118/EJ	61

Code	page	Code	page	Code	page	Code	page
30-023/118/EX	61	30-023/236/EC	61	30-023/418/CZ	61	30-033/158/CB	62
30-023/118/EZ	61	30-023/236/ED	61	30-023/418/EA	61	30-033/158/CC	62
30-023/136/CA	61	30-023/236/EJ	61	30-023/418/EB	61	30-033/158/CD	62
30-023/136/CB	61	30-023/236/EX	61	30-023/418/EC	61	30-033/158/CI	62
30-023/136/CC	61	30-023/236/EZ	61	30-023/418/ED	61	30-033/158/CJ	62
30-023/136/CD	61	30-023/258/CA	61	30-023/418/EJ	61	30-033/158/CX	62
30-023/136/CJ	61	30-023/258/CB	61	30-023/418/EX	61	30-033/158/CZ	62
30-023/136/CX	61	30-023/258/CC	61	30-023/418/EZ	61	30-033/158/EA	62
30-023/136/CZ	61	30-023/258/CD	61	30-023/436/CA	61	30-033/158/EB	62
30-023/136/EA	61	30-023/258/CJ	61	30-023/436/CB	61	30-033/158/EC	62
30-023/136/EB	61	30-023/258/CX	61	30-023/436/CC	61	30-033/158/ED	62
30-023/136/EC	61	30-023/258/CZ	61	30-023/436/CD	61	30-033/158/EI	62
30-023/136/ED	61	30-023/258/EA	61	30-023/436/CJ	61	30-033/158/EJ	62
30-023/136/EJ	61	30-023/258/EB	61	30-023/436/CX	61	30-033/158/EX	62
30-023/136/EX	61	30-023/258/EC	61	30-023/436/CZ	61	30-033/158/EZ	62
30-023/136/EZ	61	30-023/258/ED	61	30-023/436/EA	61	30-033/218/CA	62
30-023/158/CA	61	30-023/258/EJ	61	30-023/436/EB	61	30-033/218/CB	62
30-023/158/CB	61	30-023/258/EX	61	30-023/436/EC	61	30-033/218/CC	62
30-023/158/CC	61	30-023/258/EZ	61	30-023/436/ED	61	30-033/218/CD	62
30-023/158/CD	61	30-023/318/CA	61	30-023/436/EJ	61	30-033/218/CJ	62
30-023/158/CJ	61	30-023/318/CB	61	30-023/436/EX	61	30-033/218/CX	62
30-023/158/CX	61	30-023/318/CC	61	30-023/436/EZ	61	30-033/218/CZ	62
30-023/158/CZ	61	30-023/318/CD	61	30-033/118/CA	62	30-033/218/EA	62
30-023/158/EA	61	30-023/318/CJ	61	30-033/118/CB	62	30-033/218/EB	62
30-023/158/EB	61	30-023/318/CX	61	30-033/118/CC	62	30-033/218/EC	62
30-023/158/EC	61	30-023/318/CZ	61	30-033/118/CD	62	30-033/218/ED	62
30-023/158/ED	61	30-023/318/EA	61	30-033/118/CJ	62	30-033/218/EJ	62
30-023/158/EJ	61	30-023/318/EB	61	30-033/118/CX	62	30-033/218/EX	62
30-023/158/EX	61	30-023/318/EC	61	30-033/118/CZ	62	30-033/218/EZ	62
30-023/158/EZ	61	30-023/318/ED	61	30-033/118/EA	62	30-033/236/CA	62
30-023/218/CA	61	30-023/318/EJ	61	30-033/118/EB	62	30-033/236/CB	62
30-023/218/CB	61	30-023/318/EX	61	30-033/118/EC	62	30-033/236/CC	62
30-023/218/CC	61	30-023/318/EZ	61	30-033/118/ED	62	30-033/236/CD	62
30-023/218/CD	61	30-023/336/CA	61	30-033/118/EJ	62	30-033/236/CJ	62
30-023/218/CJ	61	30-023/336/CB	61	30-033/118/EX	62	30-033/236/CX	62
30-023/218/CX	61	30-023/336/CC	61	30-033/118/EZ	62	30-033/236/CZ	62
30-023/218/CZ	61	30-023/336/CD	61	30-033/136/CA	62	30-033/236/EA	62
30-023/218/EA	61	30-023/336/CJ	61	30-033/136/CB	62	30-033/236/EB	62
30-023/218/EB	61	30-023/336/CX	61	30-033/136/CC	62	30-033/236/EC	62
30-023/218/EC	61	30-023/336/CZ	61	30-033/136/CD	62	30-033/236/ED	62
30-023/218/ED	61	30-023/336/EA	61	30-033/136/CI	62	30-033/236/EJ	62
30-023/218/EJ	61	30-023/336/EB	61	30-033/136/CJ	62	30-033/236/EX	62
30-023/218/EX	61	30-023/336/EC	61	30-033/136/CX	62	30-033/236/EZ	62
30-023/218/EZ	61	30-023/336/ED	61	30-033/136/CZ	62	30-033/258/CA	62
30-023/236/CA	61	30-023/336/EJ	61	30-033/136/EA	62	30-033/258/CB	62
30-023/236/CB	61	30-023/336/EX	61	30-033/136/EB	62	30-033/258/CC	62
30-023/236/CC	61	30-023/336/EZ	61	30-033/136/EC	62	30-033/258/CD	62
30-023/236/CD	61	30-023/418/CA	61	30-033/136/ED	62	30-033/258/CJ	62
30-023/236/CJ	61	30-023/418/CB	61	30-033/136/EI	62	30-033/258/CX	62
30-023/236/CX	61	30-023/418/CC	61	30-033/136/EJ	62	30-033/258/CZ	62
30-023/236/CZ	61	30-023/418/CD	61	30-033/136/EX	62	30-033/258/EA	62
30-023/236/EA	61	30-023/418/CJ	61	30-033/136/EZ	62	30-033/258/EB	62
30-023/236/EB	61	30-023/418/CX	61	30-033/158/CA	62	30-033/258/EC	62



www.moduloelectro.ru

# Index

Code	page	Code	page	Code	page	Code	page
30-033/258/ED	62	30-033/436/EA	62	31-034/218/EC	65	32-023/214/CC	70
30-033/258/EJ	62	30-033/436/EB	62	31-034/218/ED	65	32-023/214/CD	70
30-033/258/EX	62	30-033/436/EC	62	31-034/218/EJ	65	32-023/214/CJ	70
30-033/258/EZ	62	30-033/436/ED	62	31-034/218/EX	65	32-023/228/CB	70
30-033/318/CA	62	30-033/436/EJ	62	31-034/236/CB	65	32-023/228/CC	70
30-033/318/CB	62	30-033/436/EX	62	31-034/236/CC	65	32-023/228/CD	70
30-033/318/CC	62	30-033/436/EZ	62	31-034/236/CD	65	32-023/228/CJ	70
30-033/318/CD	62	30-053/418/CBL	63	31-034/236/CJ	65	32-023/314/CB	70
30-033/318/CJ	62	30-053/418/EBL	63	31-034/236/CX	65	32-023/314/CC	70
30-033/318/CX	62	30-093/418/CBL	63	31-034/236/EB	65	32-023/314/CD	70
30-033/318/CZ	62	30-093/418/CDL	63	31-034/236/EC	65	32-023/314/CJ	70
30-033/318/EA	62	30-093/418/EBL	63	31-034/236/ED	65	32-023/328/CB	70
30-033/318/EB	62	30-093/418/EDL	63	31-034/236/EJ	65	32-023/328/CC	70
30-033/318/EC	62	30-653/418/CBL	63	31-034/236/EX	65	32-023/328/CD	70
30-033/318/ED	62	30-653/418/CDL	63	31-034/255/CB	65	32-023/328/CJ	70
30-033/318/EJ	62	30-653/418/EBL	63	31-034/255/CC	65	32-023/414/CB	70
30-033/318/EX	62	30-653/418/EDL	63	31-034/255/CD	65	32-023/414/CC	70
30-033/318/EZ	62	31-024/236/CB	65	31-034/255/CJ	65	32-023/414/CD	70
30-033/336/CA	62	31-024/236/CC	65	31-034/255/CX	65	32-023/414/CJ	70
30-033/336/CB	62	31-024/236/CD	65	31-034/336/CB	65	32-023/428/CB	70
30-033/336/CC	62	31-024/236/CJ	65	31-034/336/CC	65	32-023/428/CC	70
30-033/336/CD	62	31-024/236/CX	65	31-034/336/CD	65	32-023/428/CD	70
30-033/336/CJ	62	31-024/236/EB	65	31-034/336/CJ	65	32-023/428/CJ	70
30-033/336/CX	62	31-024/236/EC	65	31-034/336/CX	65	32-033/214/CB	70
30-033/336/CZ	62	31-024/236/ED	65	31-034/336/EB	65	32-033/214/CC	70
30-033/336/EA	62	31-024/236/EJ	65	31-034/336/EC	65	32-033/214/CD	70
30-033/336/EB	62	31-024/236/EX	65	31-034/336/ED	65	32-033/214/CJ	70
30-033/336/EC	62	31-024/255/CB	65	31-034/336/EJ	65	32-033/228/CB	70
30-033/336/ED	62	31-024/255/CC	65	31-034/336/EX	65	32-033/228/CC	70
30-033/336/EJ	62	31-024/255/CD	65	31-034/355/CB	65	32-033/228/CD	70
30-033/336/EX	62	31-024/255/CJ	65	31-034/355/CC	65	32-033/228/CJ	70
30-033/336/EZ	62	31-024/255/CX	65	31-034/355/CD	65	32-033/314/CB	70
30-033/418/CA	62	31-024/336/CB	65	31-034/355/CJ	65	32-033/314/CC	70
30-033/418/CB	62	31-024/336/CC	65	31-034/355/CX	65	32-033/314/CD	70
30-033/418/CC	62	31-024/336/CD	65	31-044/224/CB	66	32-033/314/CJ	70
30-033/418/CD	62	31-024/336/CJ	65	31-044/224/CC	66	32-033/328/CB	70
30-033/418/CJ	62	31-024/336/CX	65	31-044/236/CB	66	32-033/328/CC	70
30-033/418/CX	62	31-024/336/EB	65	31-044/236/CC	66	32-033/328/CD	70
30-033/418/CZ	62	31-024/336/EC	65	31-044/236/CJ	66	32-033/328/CJ	70
30-033/418/EA	62	31-024/336/ED	65	31-054/224/CB	66	32-033/414/CB	70
30-033/418/EB	62	31-024/336/EJ	65	31-054/224/CC	66	32-033/414/CC	70
30-033/418/EC	62	31-024/336/EX	65	31-054/236/CB	66	32-033/414/CD	70
30-033/418/ED	62	31-024/355/CB	65	31-054/236/CC	66	32-033/414/CJ	70
30-033/418/EJ	62	31-024/355/CC	65	31-054/236/CJ	66	32-033/428/CB	70
30-033/418/EX	62	31-024/355/CD	65	31-064/236/CB	67	32-033/428/CC	70
30-033/418/EZ	62	31-024/355/CJ	65	31-064/236/CD	67	32-033/428/CD	70
30-033/436/CA	62	31-024/355/CX	65	31-064/236/EB	67	32-033/428/CJ	70
30-033/436/CB	62	31-034/218/CB	65	31-064/236/ED	67	32-043/414/CB	71
30-033/436/CC	62	31-034/218/CC	65	31-964/236/CB	67	32-043/414/CC	71
30-033/436/CD	62	31-034/218/CD	65	31-964/236/CD	67	32-043/414/CD	71
30-033/436/CJ	62	31-034/218/CJ	65	31-964/236/EB	67	32-043/414/CJ	71
30-033/436/CX	62	31-034/218/CX	65	31-964/236/ED	67	32-043/428/CB	71
30-033/436/CZ	62	31-034/218/EB	65	32-023/214/CB	70	32-043/428/CC	71

Code	page	Code	page	Code	page	Code	page
32-043/428/CD	71	33-494/213/E++D	105	34-063/228/CBA	75	35-033/236/EX	77
32-043/428/CJ	71	33-494/218/C	105	34-063/228/CBC	75	35-033/258/CX	77
32-053/414/CB	71	33-494/218/C++D	105	34-063/228/CCA	75	35-033/258/EX	77
32-053/414/CC	71	33-494/218/D	105	34-063/228/CCC	75	35-033/414/CX	77
32-053/414/CD	71	33-494/218/D++D	105	34-064/155/CBA	75	35-033/418/CX	77
32-053/414/CJ	71	33-494/218/E	105	34-064/155/CBC	75	35-033/418/EX	77
32-053/428/CB	71	33-494/218/E++D	105	34-064/155/CCA	75	35-034/336/CX	77
32-053/428/CC	71	33-494/226/C	105	34-064/155/CCC	75	35-034/336/EX	77
32-053/428/CD	71	33-494/226/C++D	105	34-073/214/CBA	75	35-034/355/CX	77
32-053/428/CJ	71	33-494/226/D	105	34-073/214/CBC	75	36-023/128/CX	78
32-063/128/CB	71	33-494/226/D++D	105	34-073/214/CCA	75	36-023/135/CX	78
32-063/128/CC	71	33-494/226/E	105	34-073/214/CCC	75	36-023/228/CX	78
32-063/228/CB	71	33-494/226/E++D	105	34-073/224/CBA	75	36-023/235/CX	78
32-063/228/CC	71	33-494/232/C	105	34-073/224/CBC	75	36-023/236/CX	78
32-063/314/CB	71	33-494/232/C++D	105	34-073/224/CCA	75	36-023/236/EX	78
32-063/314/CC	71	33-494/242/C	105	34-073/224/CCC	75	36-023/414/CX	78
32-063/414/CB	71	33-494/242/C++D	105	34-073/228/CBA	75	36-023/418/CX	78
32-063/414/CC	71	34-003/214/CA	72	34-073/228/CBC	75	36-023/418/EX	78
32-073/128/CB	71	34-003/214/CC	72	34-073/228/CCA	75	36-024/336/CX	78
32-073/128/CC	71	34-004/155/CA	72	34-073/228/CCC	75	36-024/336/EX	78
32-073/228/CB	71	34-004/155/CC	72	34-073/254/CBA	75	36-024/355/CX	78
32-073/228/CC	71	34-024/236/CA	73	34-073/254/CBC	75	36-033/128/CX	79
32-073/314/CB	71	34-024/236/CC	73	34-073/254/CCA	75	36-033/135/CX	79
32-073/314/CC	71	34-024/236/EA	73	34-073/254/CCC	75	36-033/136/CX	79
32-073/414/CB	71	34-024/236/EC	73	34-074/255/CBA	75	36-033/136/EX	79
32-073/414/CC	71	34-024/255/CA	73	34-074/255/CBC	75	36-033/158/CX	79
33-494/113/C	105	34-024/255/CC	73	34-074/255/CCA	75	36-033/158/EX	79
33-494/113/C++D	105	34-034/155/CA	74	34-074/255/CCC	75	36-033/228/CX	79
33-494/113/D	105	34-034/155/CC	74	34-093/214/CA	72	36-033/235/CX	79
33-494/113/D++D	105	34-034/236/CA	74	34-093/214/CC	72	36-033/236/CX	79
33-494/113/E	105	34-034/236/CC	74	34-094/155/CA	72	36-033/236/EX	79
33-494/113/E++D	105	34-034/236/EA	74	34-094/155/CC	72	36-033/258/CX	79
33-494/118/C	105	34-034/236/EC	74	35-023/128/CX	76	36-033/258/EX	79
33-494/118/C++D	105	34-034/255/CA	74	35-023/135/CX	76	36-033/414/CX	79
33-494/118/D	105	34-034/255/CC	74	35-023/228/CX	76	36-033/418/CX	79
33-494/118/D++D	105	34-044/236/CA	73	35-023/235/CX	76	36-033/418/EX	79
33-494/118/E	105	34-044/236/CC	73	35-023/236/CX	76	36-034/336/CX	79
33-494/118/E++D	105	34-044/236/EA	73	35-023/236/EX	76	36-034/336/EX	79
33-494/126/C	105	34-044/236/EC	73	35-023/414/CX	76	36-034/355/CX	79
33-494/126/C++D	105	34-044/255/CA	73	35-023/418/CX	76	36-043/128/CBT	80
33-494/126/D	105	34-044/255/CC	73	35-023/418/EX	76	36-043/135/CBT	80
33-494/126/D++D	105	34-054/155/CA	74	35-024/336/CX	76	36-043/228/CBT	80
33-494/126/E	105	34-054/155/CC	74	35-024/336/EX	76	36-043/235/CBT	80
33-494/126/E++D	105	34-054/236/CA	74	35-024/355/CX	76	36-043/236/CBT	80
33-494/132/C	105	34-054/236/CC	74	35-033/128/CX	77	36-043/236/EBT	80
33-494/132/C++D	105	34-054/236/EA	74	35-033/135/CX	77	36-043/414/CBT	80
33-494/142/C	105	34-054/236/EC	74	35-033/136/CX	77	36-043/418/CBT	80
33-494/142/C++D	105	34-054/255/CA	74	35-033/136/EX	77	36-043/418/EBT	80
33-494/213/C	105	34-054/255/CC	74	35-033/158/CX	77	36-044/336/CBT	80
33-494/213/C++D	105	34-063/214/CBA	75	35-033/158/EX	77	36-044/336/EBT	80
33-494/213/D	105	34-063/214/CBC	75	35-033/228/CX	77	36-044/355/CBT	80
33-494/213/D++D	105	34-063/214/CCA	75	35-033/235/CX	77	36-053/128/CBT	80
33-494/213/E	105	34-063/214/CCC	75	35-033/236/CX	77	36-053/135/CBT	80

# Index

Code	page	Code	page	Code	page	Code	page
36-053/228/CBT	80	43-056/140/BT	124	50-016/110/BY	132	66-054/213/C+++0	86
36-053/235/CBT	80	43-057/125/BT+1	124	50-016/110/BZ	132	66-054/213/C+++C	86
36-053/236/CBT	80	43-057/125/BT+2	124	50-017/110/BY	132	66-054/213/C+++M	86
36-053/236/EBT	80	43-057/140/BT+1	124	50-017/110/BZ	132	66-054/213/C+++N	86
36-053/414/CBT	80	43-057/140/BT+2	124	50-017/115/BY	132	66-054/213/D	86
36-053/418/CBT	80	43-066/125/BT	124	50-017/115/BZ	132	66-054/213/D+++0	86
36-053/418/EBT	80	43-066/140/BT	124	50-036/107/BY	132	66-054/213/D+++C	86
36-054/336/CBT	80	43-067/125/BT+1	124	50-036/107/BZ	132	66-054/213/D+++M	86
36-054/336/EBT	80	43-067/125/BT+2	124	50-036/110/BY	132	66-054/213/D+++N	86
36-054/355/CBT	80	43-067/140/BT+1	124	50-036/110/BZ	132	66-054/226/C	86
36-063/228/CX	45	43-067/140/BT+2	124	50-037/110/BY	132	66-054/226/C+++0	86
36-063/235/CX	45	43-093/110/BT	125	50-037/110/BZ	132	66-054/226/C+++C	86
36-063/236/CX	45	43-093/115/BT	125	50-037/115/BY	132	66-054/226/C+++M	86
36-063/236/EX	45	45-005/125/B	126	50-037/115/BZ	132	66-054/226/C+++N	86
36-063/258/CX	45	45-005/140/B	126	54-004/126/C	56	66-054/226/D	86
36-063/258/EX	45	45-006/125/B	126	54-004/155/C	56	66-054/226/D+++0	86
36-063/414/CX	45	45-006/140/B	126	54-004/236/C	56	66-054/226/D+++C	86
36-064/236/CX	45	45-007/125/B++1	126	54-013/114/C	56	66-054/226/D+++M	86
36-064/236/EX	45	45-007/125/B++2	126	54-013/121/C	56	66-054/226/D+++N	86
36-064/255/CX	45	45-007/140/B++1	126	54-013/214/C	56	66-071/206/+	87
36-064/336/CX	45	45-007/140/B++2	126	55-012/110/+	89	66-074/218/C	87
36-064/336/EX	45	45-015/125/B	127	5611-261	136	66-074/218/D	87
36-064/355/CX	45	45-015/140/B	127	5611-270	137	66-074/226/C	87
36-073/228/CBT	46	45-016/125/B	127	5611-280	138	66-074/226/D	87
36-073/235/CBT	46	45-016/140/B	127	5611-292	136, 137	66-081/206/+	88
36-073/236/CBT	46	45-017/125/B++1	127	5611-293	136, 137	66-081/206/++++R	88
36-073/236/EBT	46	45-017/125/B++2	127	5611-296	138	66-081/206/++++T	88
36-073/258/CBT	46	45-017/140/B++1	127	66-051/106/+	86	66-081/206/++++U	88
36-073/258/EBT	46	45-017/140/B++2	127	66-051/106/++++0	86	66-084/111/C	88
36-073/414/CBT	46	45-024/126/C	128	66-051/106/++++C	86	66-084/111/C+++R	88
36-074/236/CBT	46	45-024/126/E	128	66-051/106/++++M	86	66-084/111/C+++T	88
36-074/236/EBT	46	45-024/132/C	128	66-051/106/++++N	86	66-084/111/C+++U	88
36-074/255/CBT	46	45-024/142/C	128	66-051/110/+	86	66-451/110/+	86
36-074/336/CBT	46	45-024/157/C	128	66-051/110/++++0	86	66-451/110/++++0	86
36-074/336/EBT	46	45-026/105/B	128	66-051/110/++++C	86	66-451/110/++++C	86
36-074/355/CBT	46	45-026/110/B	128	66-051/110/++++M	86	66-451/110/++++M	86
3616PR	119	45-026/135/B	128	66-051/110/++++N	86	66-451/110/++++N	86
3617PR	119	45-027/107/B	128	66-051/207/+	86	66-451/207/+	86
3618PR	119	45-027/115/B	128	66-051/207/++++0	86	66-451/207/++++0	86
3619PR	119	45-027/135/B	128	66-051/207/++++C	86	66-451/207/++++C	86
3619RE	119	45-034/126/C	128	66-051/207/++++M	86	66-451/207/++++M	86
3620PR	119	45-034/126/E	128	66-051/207/++++N	86	66-451/207/++++N	86
3621PR	119	45-034/132/C	128	66-054/113/C	86	66-454/213/C	86
3621RE	119	45-034/142/C	128	66-054/113/C+++0	86	66-454/213/C+++0	86
37-012/120/+T	81	45-034/157/C	128	66-054/113/C+++C	86	66-454/213/C+++C	86
37-014/118/CT	81	45-036/105/B	128	66-054/113/C+++M	86	66-454/213/C+++M	86
37-014/118/ET	81	45-036/110/B	128	66-054/113/C+++N	86	66-454/213/C+++N	86
37-014/126/CT	81	45-036/135/B	128	66-054/113/D	86	66-454/226/C	86
37-014/126/ET	81	45-037/107/B	128	66-054/113/D+++0	86	66-454/226/C+++0	86
37-017/107/BT	81	45-037/115/B	128	66-054/113/D+++C	86	66-454/226/C+++C	86
37-017/115/BT	81	45-037/135/B	128	66-054/113/D+++M	86	66-454/226/C+++M	86
40-011/115/+Y	123	50-016/107/BY	132	66-054/113/D+++N	86	66-454/226/C+++N	86
43-056/125/BT	124	50-016/107/BZ	132	66-054/213/C	86	67-004/214/C	51

Code	page	Code	page	Code	page	Code	page
67-004/221/C	51	76-063/128/CZ	53	77-054/232/C	107	82-004/118/E++D	98
67-004/224/C	51	76-063/135/CZ	53	77-054/242/C	107	82-004/118/E++H	98
67-004/228/C	51	76-063/154/CZ	53	78-002/107/N	94	82-004/118/E++K	98
67-004/235/C	51	76-063/214/CZ	53	78-002/207/N	94	82-004/126/C	98
67-004/239/C	51	76-063/228/CZ	53	78-002/307/N	94	82-004/126/C++D	98
67-004/249/C	51	76-063/235/CZ	53	78-002/407/N	94	82-004/126/C++H	98
67-004/254/C	51	76-063/254/CZ	53	78-007/107/B	94	82-004/126/C++K	98
67-004/280/C	51	77-004/213/C	106	78-007/107/C	94	82-004/126/E	98
69-003/114/C	82	77-004/213/E	106	78-007/207/B	94	82-004/126/E++D	98
69-003/121/C	82	77-004/218/C	106	78-007/207/C	94	82-004/126/E++H	98
69-003/124/C	82	77-004/218/E	106	78-007/307/B	94	82-004/126/E++K	98
69-003/128/C	82	77-004/226/C	106	78-007/307/C	94	82-004/213/C	98
69-003/135/C	82	77-004/226/E	106	78-007/407/B	94	82-004/213/C++D	98
69-003/139/C	82	77-004/232/C	106	78-007/407/C	94	82-004/213/C++H	98
69-003/149/C	82	77-004/242/C	106	78-012/105/N	95	82-004/213/C++K	98
69-003/154/C	82	77-014/213/C	106	78-012/107/N	95	82-004/213/E	98
69-003/180/C	82	77-014/213/E	106	78-012/110/N	95	82-004/213/E++D	98
72-007/103/BT	90	77-014/218/C	106	78-012/205/N	95	82-004/213/E++H	98
72-007/103/CT	90	77-014/218/E	106	78-012/207/N	95	82-004/213/E++K	98
72-007/107/BT	90	77-014/226/C	106	78-012/210/N	95	82-004/218/C	98
72-007/107/CT	90	77-014/226/E	106	78-012/305/N	95	82-004/218/C++D	98
72-017/103/BT	91	77-014/232/C	106	78-012/307/N	95	82-004/218/C++H	98
72-017/103/CT	91	77-014/242/C	106	78-012/310/N	95	82-004/218/C++K	98
72-017/107/BT	91	77-024/213/C	106	78-012/405/N	95	82-004/218/E	98
72-017/107/CT	91	77-024/213/E	106	78-012/407/N	95	82-004/218/E++D	98
72-024/140/C	92	77-024/218/C	106	78-012/410/N	95	82-004/218/E++H	98
72-024/155/C	92	77-024/218/E	106	78-022/405/N	95	82-004/218/E++K	98
72-024/162/C	92	77-024/226/C	106	78-022/407/N	95	82-004/226/C	98
72-034/140/C	92	77-024/226/E	106	78-022/410/N	95	82-004/226/C++D	98
72-034/155/C	92	77-024/232/C	106	81-033/154/CB	47	82-004/226/C++H	98
72-034/162/C	92	77-024/242/C	106	81-033/154/CC	47	82-004/226/C++K	98
72-949/571/NT	93	77-034/213/C	107	81-033/180/CB	47	82-004/226/E	98
76-013/228/CZ	52	77-034/213/E	107	81-033/180/CC	47	82-004/226/E++D	98
76-013/235/CZ	52	77-034/218/C	107	81-033/249/CB	47	82-004/226/E++H	98
76-013/254/CZ	52	77-034/218/E	107	81-033/249/CC	47	82-004/226/E++K	98
76-033/228/CZ	52	77-034/226/C	107	81-033/254/CB	47	82-014/113/CZ	99
76-033/235/CZ	52	77-034/226/E	107	81-033/254/CC	47	82-014/113/EZ	99
76-033/254/CZ	52	77-034/232/C	107	81-033/280/CB	47	82-014/118/CZ	99
76-043/214/CZ	52	77-034/242/C	107	81-033/280/CC	47	82-014/118/EZ	99
76-043/228/CZ	52	77-044/213/C	107	81-919/403/N	48	82-014/126/CZ	99
76-043/235/CZ	52	77-044/213/E	107	82-004/113/C	98	82-014/126/EZ	99
76-043/254/CZ	52	77-044/218/C	107	82-004/113/C++D	98	82-014/213/CZ	99
76-043/414/CZ	52	77-044/218/E	107	82-004/113/C++H	98	82-014/213/EZ	99
76-043/424/CZ	52	77-044/226/C	107	82-004/113/C++K	98	82-014/218/CZ	99
76-053/114/CZ	53	77-044/226/E	107	82-004/113/E	98	82-014/218/EZ	99
76-053/128/CZ	53	77-044/232/C	107	82-004/113/E++D	98	82-014/226/CZ	99
76-053/135/CZ	53	77-044/242/C	107	82-004/113/E++H	98	82-014/226/EZ	99
76-053/154/CZ	53	77-054/213/C	107	82-004/113/E++K	98	82-024/113/C	100
76-053/214/CZ	53	77-054/213/E	107	82-004/118/C	98	82-024/113/C++D	100
76-053/228/CZ	53	77-054/218/C	107	82-004/118/C++D	98	82-024/113/C++K	100
76-053/235/CZ	53	77-054/218/E	107	82-004/118/C++H	98	82-024/113/E	100
76-053/254/CZ	53	77-054/226/C	107	82-004/118/C++K	98	82-024/113/E++D	100
76-063/114/CZ	53	77-054/226/E	107	82-004/118/E	98	82-024/113/E++K	100

# Index

Code	page	Code	page	Code	page	Code	page
82-024/118/C	100	82-034/226/E++K	101	89-013/121/CX	50	99-092/120	24, 27, 28, 29, 30, 31, 32, 33, 34
82-024/118/C++D	100	82-034/232/C	101	89-013/121/CZ	50	99-093/040	22, 23, 24, 26, 27, 28, 29, 30, 31, 32, 33, 34
82-024/118/C++K	100	82-034/232/C++D	101	89-013/124/CX	50	99-093/060	22, 23, 24, 26, 27, 28, 29, 30, 31, 32, 33, 34
82-024/118/E	100	82-034/232/C++K	101	89-013/124/CZ	50	99-093/090	22, 23, 24, 26, 27, 28, 29, 30, 31, 32, 33, 34
82-024/118/E++D	100	82-034/242/C	101	89-013/139/CX	50	99-093/120	22, 23, 24, 26, 27, 28, 29, 30, 31, 32, 33, 34
82-024/118/E++K	100	82-034/242/C++D	101	89-013/139/CZ	50	99-094/040	22, 23, 24, 26, 27, 28, 29, 30, 31, 32, 33, 34
82-024/126/C	100	82-034/242/C++K	101	99-047/040	12, 13	99-094/060	22, 23, 24, 26, 27, 28, 29, 30, 31, 32, 33, 34
82-024/126/C++D	100	82-044/118/C	102	99-047/060	12, 13	99-094/090	22, 23, 24, 26, 27, 28, 29, 30, 31, 32, 33, 34
82-024/126/C++K	100	82-044/118/C++D	102	99-048/040	12, 13	99-094/120	22, 23, 24, 26, 27, 28, 29, 30, 31, 32, 33, 34
82-024/126/E	100	82-044/118/E	102	99-048/060	12, 13	99-095/040	24, 26, 27, 28, 29, 30, 31, 32, 33, 34
82-024/126/E++D	100	82-044/118/E++D	102	99-049/040	12, 13	99-095/060	24, 26, 27, 28, 29, 30, 31, 32, 33, 34
82-024/126/E++K	100	82-044/126/C	102	99-049/060	12, 13	99-095/090	24, 26, 27, 28, 29, 30, 31, 32, 33, 34
82-024/213/C	100	82-044/126/C++D	102	99-077/060	13	99-095/120	24, 26, 27, 28, 29, 30, 31, 32, 33, 34
82-024/213/C++D	100	82-044/126/E	102	99-078/060	13	99-096/120	18, 19, 20
82-024/213/C++K	100	82-044/126/E++D	102	99-079/060	13	99-103	27, 28
82-024/213/E	100	82-044/132/C	102	99-080/120	22, 23, 24, 27, 28, 29, 30, 31, 32, 33, 34, 36, 37, 38	99-104	26, 27, 28
82-024/213/E++D	100	82-044/132/C++D	102	99-081/120	22, 23, 24, 27, 28, 29, 30, 31, 32, 33, 34, 36, 37, 38	99-107	30, 31, 33, 34
82-024/213/E++K	100	82-044/142/C	102	99-082/120	24, 27, 28, 29, 30, 31, 32, 33, 34, 36, 37, 38	99-108	30, 31, 33, 34
82-024/218/C	100	82-044/142/C++D	102	99-083/120	22, 23, 24, 26, 27, 28, 29, 30, 31, 32, 33, 34	99-109	134
82-024/218/C++D	100	82-044/218/C	102	99-084/120	22, 23, 24, 26, 27, 28, 29, 30, 31, 32, 33, 34	99-110	15, 16
82-024/218/C++K	100	82-044/218/C++D	102	99-085/120	24, 26, 27, 28, 29, 30, 31, 32, 33, 34	99-111	15, 16
82-024/218/E	100	82-044/218/E	102	99-087/120	14, 15, 16	99-112	12
82-024/218/E++D	100	82-044/218/E++D	102	99-088/120	14, 15, 16	99-113	13
82-024/218/E++K	100	82-044/226/C	102	99-089/120	14, 15, 16	99-114	118
82-034/118/C	101	82-044/226/C++D	102	99-090/040	22, 23, 24, 27, 28, 29, 30, 31, 32, 33, 34	99-115	118
82-034/118/C++D	101	82-044/226/E	102	99-090/060	22, 23, 24, 27, 28, 29, 30, 31, 32, 33, 34	99-116	118
82-034/118/C++K	101	82-044/226/E++D	102	99-090/090	22, 23, 24, 27, 28, 29, 30, 31, 32, 33, 34	99-117	118
82-034/118/E	101	82-044/232/C	102	99-091/040	22, 23, 24, 27, 28, 29, 30, 31, 32, 33, 34	99-118	118
82-034/118/E++D	101	82-044/232/C++D	102	99-091/060	22, 23, 24, 27, 28, 29, 30, 31, 32, 33, 34	99-119	118
82-034/118/E++K	101	82-044/242/C	102	99-091/090	22, 23, 24, 27, 28, 29, 30, 31, 32, 33, 34	99-120	120
82-034/126/C	101	82-044/242/C++D	102	99-091/120	22, 23, 24, 27, 28, 29, 30, 31, 32, 33, 34	99-121	120
82-034/126/C++D	101	82-959/113/NSP	104	99-092/040	24, 27, 28, 29, 30, 31, 32, 33, 34	99-122	133
82-034/126/C++K	101	82-969/113/NSP	104	99-092/060	24, 27, 28, 29, 30, 31, 32, 33, 34	99-123	133
82-034/126/E	101	82-979/113/NSP	104	99-092/090	24, 27, 28, 29, 30, 31, 32, 33, 34	99-124	120
82-034/126/E++D	101	82-989/113/NSP	104	99-093/040	22, 23, 24, 27, 28, 29, 30, 31, 32, 33, 34	99-125	120
82-034/126/E++K	101	89-003/114/CX	49	99-093/060	22, 23, 24, 27, 28, 29, 30, 31, 32, 33, 34	99-126	120
82-034/132/C	101	89-003/114/CZ	49	99-093/090	22, 23, 24, 27, 28, 29, 30, 31, 32, 33, 34	99-127	120
82-034/132/C++D	101	89-003/124/CX	49	99-093/120	22, 23, 24, 27, 28, 29, 30, 31, 32, 33, 34	99-128	120
82-034/132/C++K	101	89-003/124/CZ	49	99-094/040	22, 23, 24, 27, 28, 29, 30, 31, 32, 33, 34	99-129	120
82-034/142/C	101	89-003/128/CX	49	99-094/060	22, 23, 24, 27, 28, 29, 30, 31, 32, 33, 34	99-130	118
82-034/142/C++D	101	89-003/128/CZ	49	99-094/090	22, 23, 24, 27, 28, 29, 30, 31, 32, 33, 34	99-131	118
82-034/142/C++K	101	89-003/135/CX	49	99-094/120	22, 23, 24, 27, 28, 29, 30, 31, 32, 33, 34	99-132	118
82-034/218/C	101	89-003/135/CZ	49	99-095/040	24, 26, 27, 28, 29, 30, 31, 32, 33, 34	99-133	118
82-034/218/C++D	101	89-003/139/CX	49	99-095/060	24, 26, 27, 28, 29, 30, 31, 32, 33, 34	99-134	118
82-034/218/C++K	101	89-003/139/CZ	49	99-095/090	24, 26, 27, 28, 29, 30, 31, 32, 33, 34	99-135	118
82-034/218/E	101	89-003/149/CX	49	99-095/120	24, 26, 27, 28, 29, 30, 31, 32, 33, 34	99-136	118
82-034/218/E++D	101	89-003/149/CZ	49	99-096/120	18, 19, 20	99-137	118
82-034/218/E++K	101	89-003/154/CX	49	99-097/040	24, 27, 28, 29, 30, 31, 32, 33, 34	99-138	118
82-034/226/C	101	89-003/154/CZ	49	99-097/060	24, 27, 28, 29, 30, 31, 32, 33, 34	99-139	118
82-034/226/C++D	101	89-003/180/CX	49	99-097/090	24, 27, 28, 29, 30, 31, 32, 33, 34	99-140	120
82-034/226/C++K	101	89-003/180/CZ	49	99-098/040	24, 27, 28, 29, 30, 31, 32, 33, 34	99-141	120
82-034/226/E	101	89-013/114/CX	50	99-098/060	24, 27, 28, 29, 30, 31, 32, 33, 34	99-142	120
82-034/226/E++D	101	89-013/114/CZ	50	99-098/090	24, 27, 28, 29, 30, 31, 32, 33, 34	99-143	120



Code	page	Code	page	Code	page	Code	page
99-203	133	99-326	35	99-578/420	128	99-909	103
99-204	133	99-331	35	99-578/500	126, 127	99-910	103
99-205	133	99-332	35	99-578/520	126, 127	99-911	103
99-206	133	99-333	35	99-580	120	99-912	103
99-207	133	99-335	35	99-581	120	99-913	103
99-208	133	99-336	35	99-582	120	99-914	103
99-209	133	99-361	35	99-583	120	99-915	103
99-210	133	99-362	35	99-584	120	99-920	52
99-211	133	99-363	35	99-588/320	128	99-972	47, 48
99-212	133	99-365	35	99-588/420	128	99-973	47
99-213	133	99-366	35	99-590/520	126, 127	99-974	47
99-214	133	99-371	35	99-695	122	99-975	47
99-215	133	99-372	35	99-825	124	99-976	47
99-216	133	99-373	35	99-826	124		
99-258/500	126, 127	99-375	35	99-827	124		
99-2500	121	99-376	35	99-830	98		
99-2501	121	99-421	35	99-831	98		
99-264/28	18	99-431	35	99-832	98		
99-264/35	18	99-461	35	99-833	100		
99-264/36	18	99-462	35	99-834	101		
99-264/58	18	99-463	35	99-835	101		
99-265/28	18	99-471	35	99-836	102		
99-265/35	18	99-472	35	99-837	102		
99-265/36	18	99-473	35	99-839	100		
99-265/58	18	99-490	15	99-840	103		
99-267/28	18	99-491	15	99-841	103		
99-267/35	18	99-492	15	99-842	103		
99-267/36	18	99-493	15	99-844	103		
99-267/58	18	99-494	15	99-845	103		
99-275	12, 13	99-541	118, 119	99-850	49, 51		
99-276	12, 13	99-542	118, 119	99-851	49		
99-277	12, 13	99-543	118, 119	99-852	49		
99-281/118	121	99-544	118, 119	99-853	49		
99-281/136	121	99-545	118, 119	99-877	105		
99-281/158	121	99-546	118, 119	99-878	105		
99-281/218	121	99-547	118, 119	99-879	105		
99-281/236	121	99-551	12	99-880	105		
99-281/258	121	99-552	12	99-881	105		
99-282/118	121	99-553	12	99-892	103		
99-282/136	121	99-554	12	99-893	103		
99-282/158	121	99-555	12	99-894	103		
99-282/218	121	99-556	12	99-895	103		
99-282/236	121	99-558/350	128	99-896	103		
99-282/258	121	99-558/500	126, 127	99-897	103		
99-291	67	99-568/320	128	99-898	103		
99-292	67	99-568/420	128	99-899	103		
99-294	62	99-569/520	126, 127	99-900	103		
99-298	60, 62, 65, 72, 73, 74	99-576/320	128	99-902	103		
99-299	60, 62, 65, 72, 73, 74	99-576/420	128	99-903	103		
99-321	35	99-577/320	128	99-904	103		
99-322	35	99-577/420	128	99-905	103		
99-323	35	99-578/320	128	99-906	103		
99-325	35	99-578/350	128	99-908	103		



# Business terms & conditions

## I. General Provisions

These General Terms and Conditions of Sale (hereinafter »Terms«) govern relations between BEGHELLI - ELPLAST, a.s. (hereinafter »Beghelli-Elplast«), as the seller, and its customers (hereinafter »Buyer«), in selling / purchasing of products, goods, and services provided by Beghelli-Elplast (hereinafter »Products«).

## II. Sequence of Documents

In case of a divergence between provisions of various documents regulating relations between Beghelli-Elplast and the Buyer, in the sense and in the extent in which they are in contradiction, the sequence of their obligatory force is as follows:

1. Single-purpose conditions agreed upon individually for a specific business transaction and confirmed in writing by both parties in a relevant commercial document (inquiry, offer, order, order acknowledgement, invoice).
2. Contract of purchase or a general contract of purchase, if such is entered into between Beghelli-Elplast and the Buyer.
3. Special commercial terms and conditions, which are part of the contract of purchase or the general contracts of purchase between Beghelli-Elplast and the Buyer.
4. These Terms.

## III. Ordering Procedure

The Buyer submits its purchase orders in writing via electronic mail or by fax. The order shall include, among others, unambiguous specification and quantity of Products and the required delivery term. By its receipt by Beghelli-Elplast the purchase order becomes binding.

Unless expressly agreed between Beghelli-Elplast and the Buyer in writing in documents specified in the Article II, Par. 1 of these Terms, any part of the Buyer's purchase order which is in contradiction or otherwise inconsistent with these Terms, will be ignored and not applied to the concerned business transaction.

Beghelli-Elplast shall acknowledge the purchase order in writing via electronic mail or by fax, specifying the delivery time or the currently available quantity. In case Beghelli-Elplast cannot confirm the delivery time of some or all items of the order within 48 (forty eight) hours, it shall confirm to the Buyer at least the fact of the order receipt including information on the supposed term of sending the final order acknowledgment.

In no event shall Beghelli-Elplast be liable for consequences of an eventually denied order or of any part of it.

If within 7 (seven) calendar days after receipt of the order acknowledgement by the Buyer, or within a shorter term in respect of the supposed delivery term, the Buyer does not raise in writing via electronic mail or by fax any objection against the supposed delivery time or against other terms of the order acknowledgement, the order acknowledgement becomes the only binding and final document superior to the Buyer's order. Any changes of the order so acknowledged are possible only in very exceptional cases and only after a prior written agreement of Beghelli-Elplast by cancellation of the concerned item in the original order and issuance of a new one.

In case meeting of a delivery time confirmed in the order acknowledgement appears unfeasible, Beghelli-Elplast shall inform the Buyer not later than 1 (one) day prior the supposed delivery term and indicate a substitutive delivery time.

In no event shall Beghelli-Elplast be liable for loss of profit, operational loss, specific, subsequent, incidental or criminal damages or damages of any other kind due to its failure to meet the delivery times confirmed in an order acknowledgement.

## IV. Delivery / Takeover of Products

Unless stipulated otherwise in the documents specified in the Article II, Par. 1 of these Terms, the delivery terms are EXW Brno (place of the distribution warehouse or production plant of Beghelli-Elplast). Transfer of the costs and risks from Beghelli-Elplast to the Buyer is governed by the corresponding provisions of Incoterms 2000.

Upon takeover of the Products, at the moment and at the location pursuant to the applied delivery terms, the Buyer is obliged to examine conformity of the Products or cause them to be examined in respect of their specification, quantity, completeness, and external damage.

If within 7 (seven) calendar days from the date of the takeover the Buyer does not raise any claim of nonconformity, using the appropriate procedure on the Beghelli-Elplast's website, via electronic mail, or by fax, the risk of a lack of quantity, incompleteness or external damage of the Products passes to the Buyer - except when the proper examination cannot be done without unpacking of the single Product. In such case the period for raising a claim for Products nonconformity is extended until the proper examination can be first done, however not longer than for 14 (fourteen) calendar days from the Products takeover.

## V. Payment

The Buyer shall pay for the supplied Products within the period, in the currency and on the bank account indicated in the Beghelli-Elplast's invoice. The due day is the day when the Beghelli-Elplast's account is credited.

Should the Buyer is in delay with the payment, Beghelli-Elplast may require a delay interest of 0,1% on the unpaid amount for each day of the delay. Paying off such delay interests by the Buyer does not affect Beghelli-Elplast's right to indemnity for eventual other damages related to the delayed payment.

In case the Buyer's delay with payment becomes substantial, Beghelli-Elplast has the right to suspend or cancel all remaining orders of the Buyer and require an immediate payment for all its issued invoices regardless of their maturity. Such measure does not affect Beghelli-Elplast's right to indemnity for eventual other damages related to the delayed payment.

## VI. Reserve of Property Right

The property right to the Products passes over to the Buyer not until it pays to Beghelli-Elplast the purchase price in the full amount. In case of a payment delay, Beghelli-Elplast may prohibit the Buyer from using the delivered Products or may apply its right to the Products return. For the whole such time, the Buyer is responsible for all risks relating to the delivered Products.

Until the property right passes over from Beghelli-Elplast to the Buyer, the Buyer cannot transfer it to any third person. In case of breach of this property reserve by the Buyer in consequence of which a third party would attain in good faith the property right to the Products, Beghelli-Elplast would become entitled to a contractual penalty amounting up to the price of the so concerned Products, which the Buyer is obliged to pay within by Beghelli-Elplast requested time. Paying off such a penalty by the Buyer does not affect Beghelli-Elplast's right to indemnity for eventual other related damages.

Further sale of the Products, to which the Beghelli-Elplast's reserve of property applies, to a third party is possible only on the condition that the Buyer reserves its right of property for at least the period until it fully pays to Beghelli-Elplast for the concerned Products.

On the reserved Products no lien may be imposed nor may the Products be used by anybody as a security for any kind of liability.

Eventual return of the Products as a consequence of its failure to pay does not deprive the Buyer of its obligation to pay for the Products which were not returned, to compensate the derogated value of the Products that were not returned in the quality in which they had been supplied, or to pay off the whole delay interest to which Beghelli-Elplast is entitled.

## VII. Price and Terms Modification

Prices or other terms and conditions stated in Beghelli-Elplast's general pricelists, promotional or other commercial materials have an informative character only and in no way constitute the Buyer's right to obtain them.

The prices in Beghelli-Elplast's pricelists exclude VAT, recycling fee and other charges, taxes or duties of any kind, which, in case they are applicable to the Products according to the local law and Beghelli-Elplast is obliged to pay them, will be re-invoiced to the Buyer separately from the selling price.

In the event of unforeseen sudden changes of material, energy or other sub-supply prices, other costs and circumstances which Beghelli-Elplast cannot influence nor put off, Beghelli-Elplast reserves the right to modify prices, payment, delivery and other terms and conditions with an immediate effect. Such modified prices or terms and conditions shall be applicable to all Products previously ordered by the Buyer and acknowledged by Beghelli-Elplast upon receipt of a written Beghelli-Elplast's notice by the Buyer via electronic mail or by fax. In such case the Buyer has the right to withdraw from all so affected and so far not delivered orders or from their parts.

## VIII. Changes of Products

Beghelli-Elplast reserves the right at its own discretion to change or modify technical specification of the Products or to alter the range of the Products by withdrawing or changing of the existing Products or adding new ones, provided such change does not substantially affect functional properties in a negative way, dimensions or service life of the concerned Products.

## IX. Warranty

With exceptions pursuant to Article VII. of these Terms, Beghelli-Elplast guarantees that the Products shall be of identical type and properties referred to in its technical documentation and free of defects in material and workmanship for a period of – if not stated otherwise in the accompanying documents of the particular Products or in other Beghelli-Elplast documentation – 24 (twenty four) months from the day of the Beghelli-Elplast's invoice to the Buyer (hereinafter »Warranty Period«). After expiry of such Warranty Period, the Buyer may not enforce its right to indemnity for any damage due to such nonconformities.

In case a nonconformity of the supplied Products occurs during the Warranty Period, the Buyer is obliged to inform Beghelli-Elplast using the appropriate procedure on Beghelli-Elplast's website or via electronic mail or by fax, not later than within 3 (three) working days from discovery of this fact and to provide Beghelli-Elplast with information and collaboration it may require, including obtaining samples of the Products under the claim and dispatching them to Beghelli-Elplast headquarters.

In case Beghelli-Elplast acknowledges justification of the claim, it provides the Buyer with a remedy in the form and in the sequence as stated below:

- defective Product repair or replacement of its defective parts;
- replacement of the defective Product with a defect-free one;
- compensation of the purchase price.

The decision on form of the remedy is in Beghelli-Elplast's sole discretion dependent on the technical, logistic, and other circumstances. Beghelli-Elplast may also grant to the Buyer a reasonable discount on the price, if the Buyer agrees.

Without a prior written consent of Beghelli-Elplast, the Buyer may neither dispatch the Products under the claim to Beghelli-Elplast, nor delay, nor fully or partially suspend payment for the concerned Products.

This warranty does not cover any faults caused by normal deterioration; accelerated deterioration caused by specific physical, chemical or electrochemical conditions; insufficient maintenance or incorrect repair; failure to observe storage, user and operating instructions; use of unsuitable materials, parts and tools; as well as any fault due to circumstances beyond Beghelli-Elplast reasonable control.

There are no other warranties, expressed or implied, direct or indirect, beyond those expressly set forth herein. In no event shall Beghelli-Elplast be liable for loss of profit, operational loss, specific, subsequent, incidental or criminal damages or damages of any other kind based on a nonconformity claim or otherwise related to the Products supplied by Beghelli-Elplast pursuant to these Terms or to particular business transactions complying with these Terms.

No claim of any kind, where as to Products delivered or for failure to deliver, and whether or not based on negligence, shall be greater in amount than the selling price of the Products with respect to which such claim is made.

The Buyer shall not provide any guarantee, expressed or implied, direct or indirect, relating to any Product, which would differ from the warranties provided by Beghelli-Elplast for such Product.

## X. Force Majeure

Beghelli-Elplast shall not be liable for a partial or entire failure to meet its obligations pursuant to these Terms, especially for suspension, delay or cancellation of the Buyer's orders, even if previously acknowledged, in cases beyond its reasonable control, including but without limitation:

- intervention of force majeure, war, revolt, civil riots, embargo, interference of civil or military authorities;
- changes relating to administrative, hygienic, and medical laws or regulations;
- strikes, operational or other production disruptions;
- interruption of or hindrance in transport;
- fire, floods, other climate extremes and natural hazard events;

In such events the Buyer has no right to indemnity for any damages, penalties, nor any other indemnification, direct or indirect.

Similar events entitle the Buyer not to take the ordered Products, even already manufactured; however none of these entitles the Buyer not to fulfill its liabilities related to the Products delivered previously, especially to pay the purchase price at the full amount and in the agreed term.

In case of impossibility to meet their obligations for such reasons, Beghelli-Elplast or the Buyer are obliged to advise without unnecessary delay the other party of this fact and its reasons, as well as of ceasing of their effects once it comes on.

## XI. Governing Law – Jurisdiction

Relations not expressly regulated by these Terms, nor by other documents as specified in the Article II. Par. 1 of these Terms, are governed by United Nations Convention on contracts for the international sale of goods, Vienna, 1980/04/11.

All disputes arisen between Beghelli-Elplast and the Buyer in connection to these Terms which could not be settled by their mutual conciliation shall be submitted to a sole arbitrator. The arbitrator shall be appointed by the Chairman of Committee of International Arbitration of the National Committee of International Chamber of Commerce of the Czech Republic.

### Note:

These General Terms and Conditions of Sale are regularly updated and in this catalogue they are for information only. Binding and up to date General Terms and Conditions of Sale will be sent to you together with Sales Documentation or Contract or if need be on request.

**BEGHELLI - ELPLAST, a.s.**

Poříčí 3A, 603 16 Brno - Czech Republic  
tel.: +420 531 014 111, fax: +420 531 014 210  
e-mail: [beghelli@beghelli.cz](mailto:beghelli@beghelli.cz), [www.beghelli.cz](http://www.beghelli.cz)



**Beghelli**

Lightning

**reverse**

**Emergency**

# Content

List of emergency lighting	4
Emergency luminaires	6
Index	34



[www.modulelectro.ru](http://www.modulelectro.ru)

This catalogue includes selected standard emergency lighting and components.

For the complete range of Beghelli emergency lighting and systems,  
please contact Beghelli-Elplast Customer service.

# List of products

## Emergency luminaires



Aestetica 8



Logica 9



**New**  
Formula65 10



**New**  
Ronos 11



Pratica tuttovetro 12



Pratica bandiera 13



**New**  
GranluceLED 20



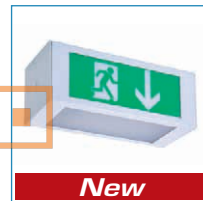
MetricaLED 22



**New**  
Maxima 24



**New**  
Kubus IP65 26



**New**  
Nano 28



**New**  
Plana 29

www.modulelectro.ru



Tuttovetro bandiera 14



Ticinque 15



Leggera IP40 16



Leggera IP65 17



Plexilite 18



Exit lite 19



Slimline 30



Ledform 31



Electroinverter compact 32

**MODUL**  
**ELECTRO**

[www.modulelectro.ru](http://www.modulelectro.ru)



**MODUL**

Emergency luminaires

[www.modulelectro.ru](http://www.modulelectro.ru)







Aestetica 8



Logica 9



Formula65 10



Ronos 11



Pratica tuttovetro 12



Pratica bandiera 13



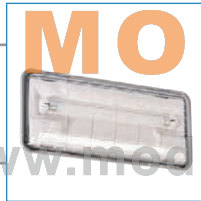
Tuttovetro bandiera 14



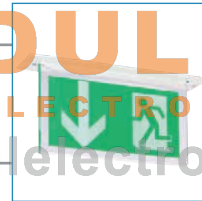
Ticinque 15



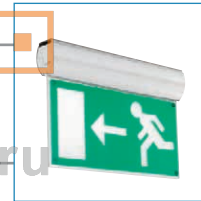
Leggera IP40 16



Leggera IP65 17



Plexilite 18



Exit lite 19



GranluceLED 20



MetricaLED 22



Maxima 24



Kubus IP65 26



Nano 28



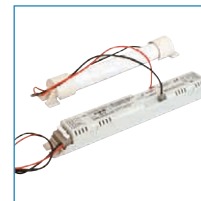
Plana 29



Slimline 30



Ledform 31



Electroinverter compact 32

Beghelli

MODUL ELECTRO  
www.modul-electro.ru

# aestetica



- plastic cover and adhesive legends  
(only for 8W - set plastic cover and 4 adhesive legends)



**8W - 99-710**



### AESTETICA FLAG

- 12150 6W left/right
- 12151 6W down
- 12152 8W left/right
- 12153 8W down

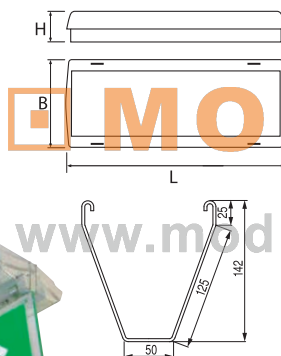
Set of 3 adhesive legends  
for 6W - **8785**



Set of 3 adhesive legends  
for 8W, 11W - **8788**



1 adhesive legend - down arrow  
for 6W - **99-886**  
for 8W - **99-888**



## Emergency luminaires



**Description:** available in 6W, 8W, 11 W, SA (maintained) and SE (non-maintained), 1 and 3 hours versions.

**Material:** self-snuffing plastic (standard EN 60598-1, UL 94)

**Degree of protection:** IP 40

**Rated voltage:** 230V/50Hz

**Recharging time:** 12 hodin

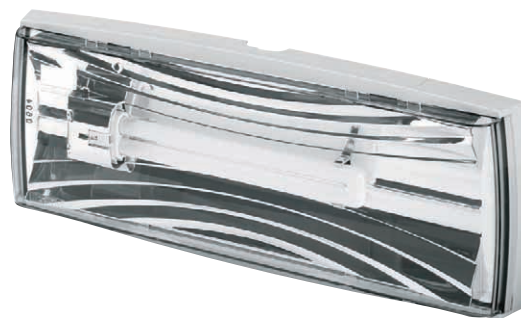
**Mounting:** designed for ceiling, wall installation and mounting on box 503

**Accessories:** (must be ordered separately)  
additional adhesive legends

W	Code	Article	Duration	Pack./ pcs.	Insulation	LxBxH (mm)	Kg
<b>Non maintained lighting</b>							
6	12500	543 6SE 1N	1h	24	II	259x112,5x45,5	0,7
8	12508	544 8SE 1N	1h	24	II	336,4x134,6x46,8	0,8
8	12510	544 8SE 3N	3h	24	II	336,4x134,6x46,8	1,0
11	12520	544 11SE 1N	1h	24	II	336,4x134,6x46,8	0,8
6	12501	543 6SE 1N/RM	1h	24	II	259x112,5x45,5	0,7
8	12509	544 8SE 1N/RM	1h	24	II	336,4x134,6x46,8	0,8
8	12511	544 8SE 3N/RM	3h	24	II	336,4x134,6x46,8	1,0
11	12521	544 11SE 1N/RM	1h	24	II	336,4x134,6x46,8	0,8
<b>Maintained lighting</b>							
8	12504	544 8SA 1N	1h	24	II	336,4x134,6x46,8	0,8
8	12506	544 8SA 3N	3h	24	II	336,4x134,6x46,8	1,0
8	12505	544 8SA 1N/RM	1h	24	II	336,4x134,6x46,8	0,8
8	12507	544 8SA 3N/RM	3h	24	II	336,4x134,6x46,8	1,0

## Emergency luminaires

logica



**Description:** available in 8W, 11W, 24W, SA (maintained) and SE (non-maintained), 1 and 3 hours versions.

**Material:** self-snuffing plastic (standard EN 60598-1, UL 94)

**Degree of protection:** IP 65

**Rated voltage:** 198-254V/50Hz





**Recharging time:** 12 hours

**Mounting:** ceiling or recessed mounting

**Accessories:**  
provided with:

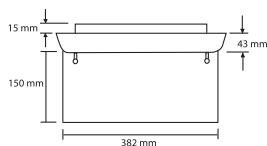
Code	Article	Pack./pcs.
	Logica 1 tube clamp	1
12198	recessed box LOGICA IP65	1
12199	bracket for quick wall mounting	1

to be ordered separately:

Code	Article	Pack./pcs.
3283-SN		1
3966	3282-DS  additional adhesive legends	1
	3287-BS 	1
FB16909	 additional adhesive legends	1
<i>German standard</i>		
12194	Logica luminaire grid	1
12193	Logica false ceiling bracket	1

MODULO  
ELECTRO  
www.moduloelectro.ru

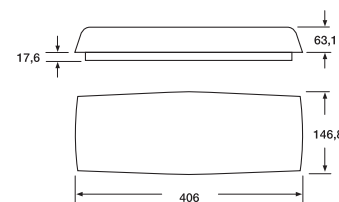
### logica sign



Code	Article
12102S	LOGICA SIGN LG 8W SE 1-3P
12103S	LOGICA SIGN LG 11W SE 1-3P
12104S	LOGICA SIGN LG 24W SE 1-3P
12105S	LOGICA SIGN LG 8W SA 1-3P
12106S	LOGICA SIGN LG 11W SA 1-3P
12107S	LOGICA SIGN LG 24W SA 1-3P

W	Code	Article	Duration	Pack./pcs.	Insulation	Battery	Kg
8	12102	LOGICA LG 8W SE 1-3P	1-3h	6	II	Pb 6V 4Ah	2,4
11	12103	LOGICA LG 11W SE 1-3P	1-3h	6	II	Pb 6V 4Ah	2,4
24	12104	LOGICA LG 24W SE 1-3P	1-3h	6	II	Pb 6V 4Ah	2,5
8	12105	LOGICA LG 8W SA 1-3N	1-3h	6	II	NiCd 7,2V 2,2Ah	2,1
11	12106	LOGICA LG 11W SA 1-3N	1-3h	6	II	NiCd 7,2V 2,2Ah	2,1
24	12107	LOGICA LG 24W SA 1-3N	1-3h	6	II	NiCd 7,2V 2,2Ah	2,1
	12101	UNIT INIBIT	5h	1	II	NiCd 7,2V 0,75Ah	0,5
	12100	MAIN UNIT LOGICA	5h	1	II	NiCd 7,2V 0,75Ah	0,6
18÷58	12126	ELETT 935 2LG 14-80SA	1-3h	12	-	NiCd 7,2V 2,2Ah	0,7

**LOGICA**  
EVOLUTION



# formula65



## Emergency luminaires IP65



**Description:** available 6W, 8W, 11W and 24W, SA (maintained) and SE (non-maintained), 1 and 3 hours version

**Material:** self-snuffing plastic (standard EN 60598-1, UL 94)

**Degree of protection:** IP 65

**Rated voltage:** 230V/50Hz

**Mounting:** designed for ceiling, wall and recessed installation



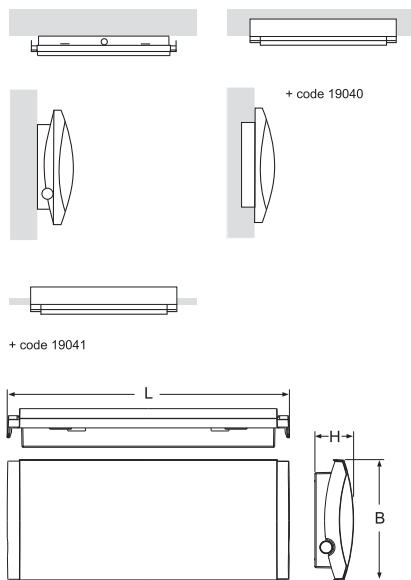
Accessories: (must be order separately)

Code	Description	Pcs.
19040	Box for recessed installation	1
19041	Brackets for recessed installation (modul and plaster ceilings)	1
19042	Exit sign left, right	1
19043	Exit sign down	1
19044	Adhesive legend L/R/Low/front	1

AT	W	Code	Article	Duration	Pack./pcs.	Battery	LxBxH (mm)	Kg
	6	19020	F65 6W IP65 AT SE 1N/RM	1h	12	NC HT 4,8V 0,75AH	354x152x48,5	0,5
	6	19021	F65 6W IP65 AT SE 3N/RM	3h	12	NC HT 4,8V 1,7AH	354x152x48,5	0,5
	8	19022	F65 8W IP65 AT SE 1N/RM	1h	12	NC HT 4,8V 0,75AH	354x152x48,5	0,7
	8	19023	F65 8W IP65 AT SE 3N/RM	3h	12	NC HT 4,8V 1,7AH	354x152x48,5	0,7
	8	19024	F65 8W IP65 AT SA 1N/RM	1h	12	NC HT 4,8V 0,75AH	354x152x48,5	0,7
	8	19025	F65 8W IP65 AT SA 3N/RM	3h	12	NC HT 4,8V 1,7AH	354x152x48,5	0,7
	11	19026	F65 11W IP65 AT SE 1N/RM	1h	12	NC HT 7,2V 0,75AH	354x152x48,5	0,7
	11	19027	F65 11W IP65 AT SE 3N/RM	3h	12	NC HT 7,2V 1,7AH	354x152x48,5	0,7
	11	19028	F65 11W IP65 AT SA 1N/RM	1h	12	NC HT 7,2V 0,75AH	354x152x48,5	0,7
	11	19029	F65 11W IP65 AT SA 3N/RM	3h	12	NC HT 7,2V 1,7AH	354x152x48,5	0,7
	24	19030	F65 24W IP65 AT SE 1N/RM	1h	12	NC HT 4,8V 1,7AH	354x152x48,5	0,9
	24	19031	F65 24W IP65 AT SE 3N/RM	3h	12	NC HT 7,2V 1,7AH	354x152x48,5	0,9
	24	19032	F65 24W IP65 AT SA 1N/RM	1h	12	NC HT 4,8V 1,7AH	354x152x48,5	0,9
	24	19033	F65 24W IP65 AT SA 3N/RM	3h	12	NC HT 7,2V 1,7AH	354x152x48,5	0,9

### Traditional

	W	Code	Article	Duration	Pack./pcs.	Battery	LxBxH (mm)	Kg
	6	19000	F65 6W IP65 AT SE 1N/RM	1h	12	NC+CAB HT 3,6V 0,75AH	354x152x48,5	0,5
	6	19001	F65 6W IP65 AT SE 3N/RM	3h	12	NC+CAB HT 4,8V 1,7AH	354x152x48,5	0,5
	8	19002	F65 8W IP65 AT SE 1N/RM	1h	12	NC HT 4,8V 0,75AH	354x152x48,5	0,7
	8	19003	F65 8W IP65 AT SE 3N/RM	3h	12	NC HT 4,8V 1,7AH	354x152x48,5	0,7
	8	19004	F65 8W IP65 AT SA 1N/RM	1h	12	NC HT 4,8V 0,75AH	354x152x48,5	0,7
	8	19005	F65 8W IP65 AT SA 3N/RM	3h	12	NC HT 4,8V 1,7AH	354x152x48,5	0,7
	11	19006	F65 11W IP65 AT SE 1N/RM	1h	12	NC HT 7,2V 0,75AH	354x152x48,5	0,7
	11	19007	F65 11W IP65 AT SE 3N/RM	3h	12	NC HT 7,2V 1,7AH	354x152x48,5	0,7
	11	19008	F65 11W IP65 AT SA 1N/RM	1h	12	NC HT 7,2V 0,75AH	354x152x48,5	0,7
	11	19009	F65 11W IP65 AT SA 3N/RM	3h	12	NC HT 7,2V 1,7AH	354x152x48,5	0,7
	24	19010	F65 24W IP65 AT SE 1N/RM	1h	12	NC HT 4,8V 1,7AH	354x152x48,5	0,9
	24	19011	F65 24W IP65 AT SE 3N/RM	3h	12	NC HT 7,2V 1,7AH	354x152x48,5	0,9
	24	19012	F65 24W IP65 AT SA 1N/RM	1h	12	NC HT 4,8V 1,7AH	354x152x48,5	0,9
	24	19013	F65 24W IP65 AT SA 3N/RM	3h	12	NC HT 7,2V 1,7AH	354x152x48,5	0,9



## Emergency luminaires

ronos



### Material:

- body: a steel sheet
- diffuser: semi-mat PMMA

Degree of protection: IP 20/40

Rated voltage: 230V/50Hz

Mounting: in modul and plaster ceilings (max. 25 mm)  
(holders are supplied with luminaire)

Application: offices, financial institutions, lecture halls

Accessories: must be ordered separately

99-985/RAL9003 – semi-mat cover with frame in 9003

99-985/RAL9006 – semi-mat cover with frame in 9006

99-986/RAL9003 – plastic sign – double sided, arrow down, semi-mat cover with frame in 9003

99-986/RAL9006 – plastic sign – double sided, arrow down, semi-mat cover with frame in 9006

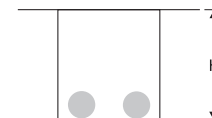
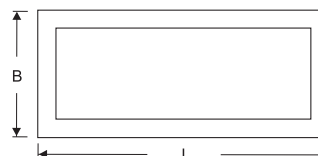
99-987/RAL9003 – plastic sign – double sided, arrow left/right, semi-mat cover with frame in 9003

99-987/RAL9006 – plastic sign – double sided, arrow left/right, semi-mat cover with frame in 9006

**MODULO**  
ELECTRO



www.moduloelectro.ru



**LOGICA**  
EVOLUTION

Code	Version	Battery	Battery type	Duration	Power	Lamp	Cap	Hole cut	LxBxH (mm)	Kg
69-903/108/C	-	-	-	-	1x8W	T5 lamp	G5	330x90	346x113x87	1,6
69-903/108/C+++TR1	SE/SA	4,8V 1,2Ah	NiCd	1h	1x8W	T5 lamp	G5	330x90	346x113x87	1,8
69-903/108/C+++TR3	SE/SA	4,8V 2,2Ah	NiCd	3h	1x8W	T5 lamp	G5	330x90	346x113x87	1,9
69-903/108/C+++LG	LG	7,2V 1,7Ah	NiCd	1h/3h	1x8W	T5 lamp	G5	330x90	346x113x87	1,9
69-913/108/C+++TR1	SE/SA	4,8V 1,2Ah	NiMh	1h	1x8W	T5 lamp	G5	330x90	346x113x87	1,8
69-913/108/C+++TR3	SE/SA	4,8V 2,2Ah	NiMh	3h	1x8W	T5 lamp	G5	330x90	346x113x87	1,9
69-913/108/C+++LG	LG	7,2V 1,7Ah	NiMh	1h/3h	1x8W	T5 lamp	G5	330x90	346x113x87	1,9

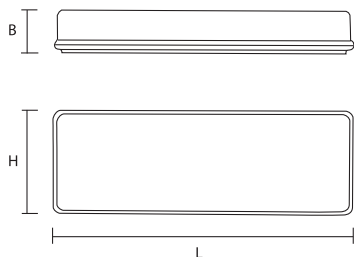
Luminaires are supplied with T5 fluorescent lamps.

# pratica tuttovetro

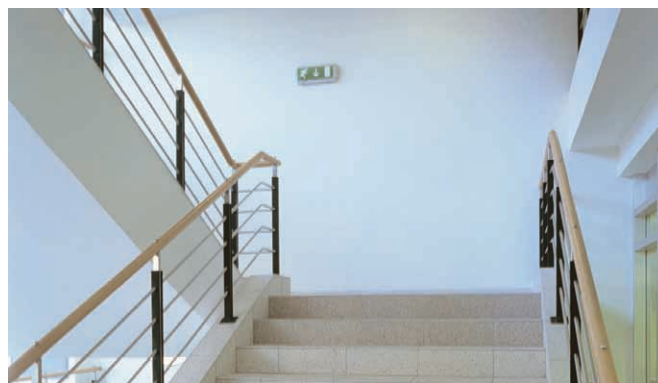


Accessories: (must be ordered separately)

Code	Article	Description	Pack./pcs.
2733	3928	protective shell (6, 11 W) pro IP 65	15
2734	3929	protective shell (8, 24 W) pro IP 65	15
3907	4201/GP	protective grille (6, 11 W)	1
3908	4301/GP	protective grille (8, 24 W)	1
3896	3253-SN		
	3252-DS	additional adhesive legends (6, 11 W)	1
	3257-BS		
	3263-SN		
3897	3262-DS	additional adhesive legends (8, 24 W)	1
	3267-BS		
	3273-SN		
3898	3272-DS	additional adhesive legends (18 W)	1
	3277-BS		
3723	4004/PR	suspension hooks	1
3727	4003/RG	PG16/PG20 cable gland	1



## Emergency luminaires



**Description:** available in 6W, 8W, 11PL W, 18W, 24PL W, SA (maintained) and SE (non-maintained), 1 and 3 hours versions.

**Material:** self-snuffing plastic (standard EN 60598-1, UL 94)

**Degree of protection:** IP 40/IP 65

**Rated voltage:** 230V/50Hz (+10%/ -6%)

**Recharging time:** 12 hours

Patented electronic circuit

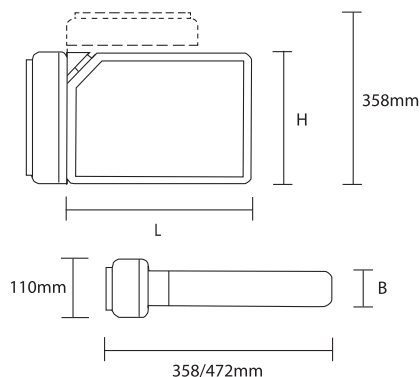
**Mounting:** designed for installation with Ø16 or 20mm tubes, suspended mounting or mounting on electrified rail

W	Code	Article	Duration	Nominal flux	Battery	Pack./LxBxH (mm)	Kg pcs.
---	------	---------	----------	--------------	---------	------------------	---------

Non maintained lighting							
6	1629	928-6SE1N	1h	270lm	NiCd 6V 0,8Ah	6 304x49x142	1,0
6	1630	928-6SE2N	2h	270lm	NiCd 6V 1,2Ah	6 304x49x142	1,1
8	1651	929-8SE1N	1h	385lm	NiCd 6V 1,2Ah	6 380x49x142	1,5
8	1662	929-8SE3N	3h	385lm	NiCd 3,6V 4Ah	6 380x49x142	1,8
11PL	1714	956-11SE1N	1h	900lm	NiCd 6V 1,2Ah	6 304x55x142	1,2
18	1696	930-18SE1N	1h	1150lm	NiCd 2x6V 1,2Ah	6 660x51x165	2,7
24PL	1725	957-24SE1N	1h	1800lm	NiCd 6V 1,8Ah	6 380x49x142	1,8

Maintained lighting							
8	1652	929-8SA1N	1h	385lm	NiCd 6V 0,8Ah	6 380x49x142	1,6
8	1670	929-8SA3N	3h	385lm	NiCd 6V 1,8Ah	6 380x49x142	1,8
11	1715	956-11SA1N	1h	900lm	NiCd 6V 1,2Ah	6 304x55x142	1,2
18	1697	930-18SA1N	1h	1150lm	NiCd 2x6V 1,2Ah	6 660x51x165	2,8
24PL	1726	957-24SA1N	1h	1800lm	NiCd 6V 1,8Ah	6 380x49x142	1,8

## Emergency luminaires



## pratica bandiera



**Description:** available in 2x6W and 2x8W, SA (maintained) or SE (non-maintained) versions. Available also in ecological version with effective life NiMH green batteries.

**Material:** self-snuffing plastic (standard EN 60598-1, UL 94)

**Degree of protection:** IP 40

**Rated voltage:** 230V/50Hz (+10%/-6%)

**Recharging time:** 12 hours

Patented electronic circuit

**Mounting:** on ceiling or wall

**Accessories:** (must be ordered separately)

- signalling screen 2x6W/2x8W

PRATICA BANDIERA 2x6W 9166						
Ordering code	2757	2755	2756	2758	2760	2771
Description	SQ-SN	SQ-DS	SQ-BS	SQ-EX	SQ-FRS	SQ-FRD

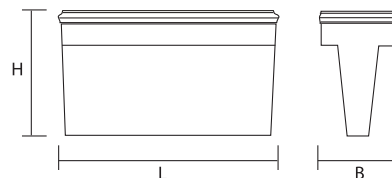
  

PRATICA BANDIERA 2x8W 9188						
Ordering code	2780	2778	2779	2781	2783	2795
Description	SRE-SN	SRE-DS	SRE-BS	SRE-EX	SRE-FRS	SRE-FRD

W	Code	Article	Duration	Nominal flux	Battery	Pack./pcs.	LxBxH (mm)	Kg
Non maintained lighting								
2x6	2308	9166SE2P	2,5h	2x270lm	Pb 6V 6,5Ah	6	276x60x276	2,9
2x6	3653	9166SE2N	2h	2x270lm	NiCd 6V 4Ah	6	276x60x276	2,7
2x8	2320	9188SE2P	2,5h	2x385lm	Pb 6V 6,5Ah	6	390x60x276	3,1
Maintained lighting								
2x6	2311	9166SA2P	2,5h	2x270lm	Pb 6V 6,5Ah	6	276x60x276	3,0
2x8	2324	9188SA2P	2,5h	2x385lm	Pb 6V 6,5Ah	6	390x60x276	3,2

# tuttovetro bandiera

## Emergency luminaires



Accessories:  
provided with:

Code	Article	Description	Pack./pcs.
2734	3929	protective shell for IP65	15
3892	3283-SN	adhesive legends	1
	3282-DS		1
	3287-BS		2
3723	4004/PR	suspension hooks	1
3727	4003/RG	PG16/PG20 cable gland	1
	-	bracket for wall mounting	1

**Description:** available in 8W, SA (maintained) and SE (non-maintained), 1 and 3 hours versions.

**Material:** self-snuffing plastic (standard EN 60598-1, UL 94)

**Degree of protection:** IP 40 (IP 65)

**Rated voltage:** 230V/50Hz

**Recharging time:** 12 hours

**Mounting:** on a ceiling or wall, suspended mounting on hooks

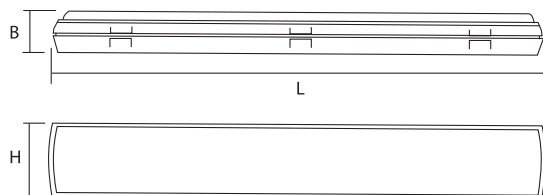
W	Code	Article	Duration	Nominal flux	Battery	Pack./pcs.	LxBxH (mm)	Kg
Non maintained lighting								
8	1921	967-8SE1N	1h	385lm	NiCd 6V 1,2Ah	4	380x142x194	1,8
8	1922	967-8SE3N	3h	385lm	NiCd 3,6V 4Ah	4	380x142x194	2,0
8	1923	967-8SE3N RM	3h	385lm	NiCd 3,6V 4Ah	4	380x142x194	2,0
Maintained lighting								
8	1925	967-8SA1N	1h	385lm	NiCd 6V 0,8Ah	4	380x142x194	1,8
8	1926	967-8SA3N	3h	385lm	NiCd 6V 1,8Ah	4	380x142x194	2,0
8	1929	967-8SA1N RM	1h	385lm	NiCd 6V 0,8Ah	4	380x142x194	1,8
8	1930	967-8SA3N RM	3h	385lm	NiCd 6V 1,8Ah	4	380x142x194	2,0

The emergency luminaires are supplied as standard with protective shell for IP65, adhesive legends, suspensions hooks, cable gland PG16-PG20 and bracket for wall mounting.



## Emergency luminaires

ticinque



**Description:** emergency luminaire with lowness for 18W fluorescent lamp, available in SE (non-maintained), 3 hours versions.

**Material:** self-snuffing plastic (standard EN 60598-1, UL 94)

**Degree of protection:** IP 40 / IP 65

**Rated voltage:** 230V/50Hz

**Mounting:** on wall, designed also for installation with  $\varnothing 16$  or 20mm tubes

**Accessories:** - Provided with: PG16/PG20 tube gland

Must be ordered separately: adhesive legends

**MODULO**  
ELECTRO

[www.modulelectro.ru](http://www.modulelectro.ru)

11593  1 pc

11594  1 pc

11595  1 pc

	W	Code	Article	Duration	Nominal flux	Battery	Pack./pcs.	LxBxH (mm)	Kg
Non maintained lighting									
IP40	18	8580	TICINQUE 541-18SE3P	3h	1150lm	Pb 6V 3,6 Ah	6	608x53x114	1,4
	18	8581	TICINQUE 541-18SE3P/RM	3h	1150lm	Pb 6V 3,6 Ah	6	608x53x114	1,4
IP65	18	8582	TICINQUE IP 65 545-18SE3P	3h	1150lm	Pb 6V 3,6 Ah	6	608x53x114	1,5
	18	8583	TICINQUE IP 65 545-18SE3P/RM	3h	1150lm	Pb 6V 3,6 Ah	6	608x53x114	1,5

# leggera IP40

## Emergency luminaires



Must be ordered separately:

Code	Article	Description	Pack./pcs.	
3907	4201/GP	protective grille (6, 11 W)	1	
3908	4301/GP	protective grille (8, 24 W)	1	
2741	3974/IP	recessed box (6, 11 W)	12	
2738	3976/IP	recessed box (8, 24 W)	12	
3893	3293-SN 3292-DS 3297-BS	additional adhesive legends (6, 11 W)	1	
3894	3303-SN 3302-DS 3307-BS			1
3723	4004/PR			

**Description:** available in 6W, 8W, 11PL W, 24PL W, SA (maintained) and SE (non-maintained), 1 and 3 hours versions.

**Material:** self-snuffing plastic (standard EN 60598-1, UL 94)

**Degree of protection:** IP 40

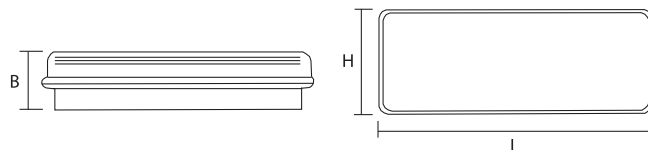
**Rated voltage:** 230V (+10%/-6%)

**Recharging time:** 12 hours

Patented electronic circuit

**Mounting:** designed for installation with Ø16 or 20mm tubes, for suspended or on electrified rail, can be also mounted in ceiling

**Accessories:** - Provided with: PG16/PG20 tube gland



W	Code	Article	Duration	Emergency efficiency	Nominal flux	Battery	Pack./pcs.	LxBxH (mm)	Kg
Non maintained lighting									
6	2059	992-6SE1N	1h	35%	270 lm	NiCd 3,6V 0,8Ah	12	280x60x120	0,9
6	2060	992-6SE3N	3h	35%	270 lm	NiCd 3,6V 1,8Ah	12	280x60x120	1,0
8	2064	993-8SE1N	1h	26%	385 lm	NiCd 3,6V 0,8Ah	6	400x65x150	1,4
8	2065	993-8SE3N	3h	26%	385 lm	NiCd 3,6V 1,8Ah	6	400x65x150	1,7
11PL	2073	994-11SE1N	1h	24%	900 lm	NiCd 3,6V 1,2Ah	12	280x60x120	0,9
24PL	2075	995-24SE1N	1h	25%	1800 lm	NiCd 6V 1,8Ah	6	400x65x150	1,7
Maintained lighting									
8	2066	993-8SA1N	1h	25%	385 lm	NiCd 6V 0,8Ah	6	400x65x150	1,6
8	2067	993-8SA3N	3h	25%	385 lm	NiCd 6V 1,8Ah	6	400x65x150	1,7
24PL	2077	995-24SA1N	1h	22%	1800 lm	NiCd 6V 1,8Ah	6	400x65x150	1,7

## Emergency luminaires



**Description:** available in 6W, 8W, 11PL W, 18W, 24PL W, SA (maintained) and SE (non-maintained), 1 and 3 hours versions.

**Material:** self-snuffing plastic (standard EN 60598-1, UL 94)

**Degree of protection:** IP 65

**Rated voltage:** 230V (+10 % / -6 %)

**Recharging time:** 12 hours

Patented electronic circuit

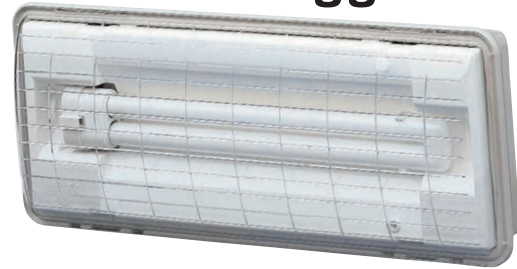
**Mounting:** designed for installation with Ø16 or 20mm tubes, for suspended or on electrified rail, can be also mounted on ceiling

**Accessories:** Provided with

- flexible joint Ø16 and Ø20mm
- PG16/PG20 tube gland

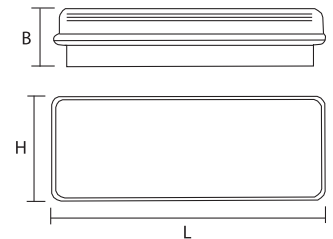
W	Code	Article	Duration	Emergency efficiency	Nominal flux	Battery	LxBxH (mm)	Kg
<b>Non maintained lighting</b>								
6	8091	LEGGERA IP65 6SE1N	1h	35%	270lm	NiCd 3,6V 0,8Ah	280x70x120	0,9
6	8092	LEGGERA IP65 6SE3N	3h	35%	270lm	NiCd 3,6V 1,8Ah	280x70x120	1,0
8	8095	LEGGERA IP65 8SE1N	1h	26%	385lm	NiCd 3,6V 0,8Ah	400x73x150	1,4
8	8096	LEGGERA IP65 8SE3N	3h	26%	385lm	NiCd 3,6V 1,8Ah	400x73x150	1,7
11PL	8103	LEGGERA IP65 11SE1N	1h	24%	900lm	NiCd 3,6V 1,2Ah	280x70x120	0,9
18	8109	LEGGERA IP65 18SE3P	3h	25%	1150lm	Pb 6V 4Ah	660x94x114	2,6
24PL	8105	LEGGERA IP65 24SE1N	1h	25%	1800lm	NiCd 6V 1,8Ah	400x73x150	1,7
<b>Maintained lighting</b>								
8	8097	LEGGERA IP65 8SA1N	1h	25%	385lm	NiCd 6V 0,8Ah	400x73x150	1,4
8	8098	LEGGERA IP65 8SA3N	3h	35%	385lm	NiCd 6V 1,8Ah	400x73x150	1,7
18	8110	LEGGERA IP65 18SA3P	3h	27%	1150lm	Pb 6V 4Ah	660x94x114	2,6
24PL	8107	LEGGERA IP65 24SA1N	1h	22%	1800lm	NiCd 6V 1,8Ah	400x73x150	1,7

# leggera IP65

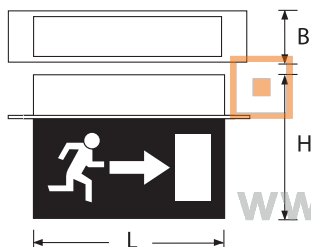


Must be ordered separately:

Code	Article	Description	Pack./ pcs.
2742	4974/IP	recessed box IP 65 (6, 11 W)	12
2739	4976/IP	recessed box IP 65 (8, 24 W)	12
3907	4201/GP	protective grille (6, 11 W)	1
3905	4500/GP	protective grille (18 W)	1
3912	4701/GP	protective grille (8, 24 W) IP65	1
3893	3293-SN		
3894	3292-DS	additional adhesive legends (6, 11 W)	1
	3297-BS		
	3303-SN		
3894	3302-DS	additional adhesive legends (8, 24 W)	1
	3307-BS		
	3139-SN		
3900	3138-DS	additional adhesive legends (18 W)	1
	3311-BS		
3723	4004/PR	suspension hooks	1



# plexilite



## Emergency luminaires



**Description:** available in 8W SA (maintained) and SE (non-maintained), 1 and 3 hours versions.

**Material:** self-snuffing plastic (standard EN 60598-1, UL 94)

**Degree of protection:** IP 40

**Rated voltage:** 230V/50Hz

**Recharging time:** 12 hours

**Mounting:** recessed installation

**Accessories:** - bracket for recessed installation

W	Code	Article	Duration	Battery	LxBxH (mm)	Kg
Non maintained lighting						
8	11048	PLEXILITE 535 8SE1N DX/SX	1h	NiCd 6V 0,75Ah	390x70x280	2,9
8	11049	PLEXILITE 535 8SE3N DX/SX	3h	NiCd 6V 2Ah	390x70x280	3,0
8	11050	PLEXILITE 535 8SE1N BASSO	1h	NiCd 6V 0,75Ah	390x70x280	2,9
8	11051	PLEXILITE 535 8SE3N BASSO	3h	NiCd 6V 2Ah	390x70x280	3,0
8	11056	PLEXILITE 535 8SE1N/RM DX/SX	1h	NiCd 6V 0,75Ah	390x70x280	2,9
8	11057	PLEXILITE 535 8SE3N/RM DX/SX	3h	NiCd 6V 2Ah	390x70x280	3,0
8	11058	PLEXILITE 535 8SE1N/RM BASSO	1h	NiCd 6V 0,75Ah	390x70x280	2,9
8	11059	PLEXILITE 535 8SE3N/RM BASSO	3h	NiCd 6V 2Ah	390x70x280	3,0
Maintained lighting						
8	11052	PLEXILITE 535 8SA1N DX/SX	1h	NiCd 6V 0,75Ah	390x70x280	2,9
8	11053	PLEXILITE 535 8SA3N DX/SX	3h	NiCd 6V 2Ah	390x70x280	3,0
8	11054	PLEXILITE 535 8SA1N BASSO	1h	NiCd 6V 0,75Ah	390x70x280	2,9
8	11055	PLEXILITE 535 8SA3N BASSO	3h	NiCd 6V 2Ah	390x70x280	3,0

## Emergency luminaires

# exit lite



**Description:** new high efficiency LED technology, available in SA (maintained) version, lamp life cycle more than 10 years

**Material:** self-snuffing plastic (standard EN 60598-1, UL 94)

**Degree of protection:** IP 40

**Rated voltage:** 230V/50Hz

**Recharging time:** 12 hours

**Mounting:** on ceiling or on wall

**Accessories:** Provided with

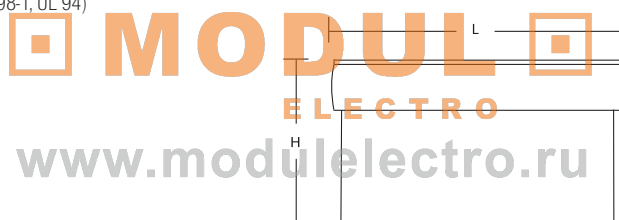
- wall installation bracket
- signalling screen

**Must be ordered separately:**

9021 - ceiling mounting bracket

9075 - wall mounting bracket (one face)

3503 - single suspension with cable (1200mm)



Code	Article	Duration	Battery	Pack./pcs.	LxBxH (mm)	Kg
3969	EXITLITE SA 1N DX/SX	1h	NiCd 6V 0,75Ah	4	380x58x240	1,6
3970	EXITLITE SA 3N DX/SX	3h	NiCd 6V 1,2Ah	4	380x58x240	1,7
3972	EXITLITE SA 3H DX/SX	3h	NiMH 6V 1,2Ah	4	380x58x240	1,6
3977	EXITLITE SA 1N BASSO	1h	NiCd 6V 0,75Ah	4	380x58x240	1,6
3978	EXITLITE SA 3N BASSO	3h	NiCd 6V 1,2Ah	4	380x58x240	1,7
3980	EXITLITE SA 3H BASSO	3h	NiMH 6V 1,2Ah	4	380x58x240	1,6
3973	EXITLITE SA 1N/RM DX/SX	1h	NiCd 6V 0,75Ah	4	380x58x240	1,6
3974	EXITLITE SA 3N/RM DX/SX	3h	NiCd 6V 1,2Ah	4	380x58x240	1,7
3976	EXITLITE SA 3H/RM DX/SX	3h	NiMH 6V 1,2Ah	4	380x58x240	1,6
3981	EXITLITE SA 1N/RM BASSO	1h	NiCd 6V 0,75Ah	4	380x58x240	1,6
3982	EXITLITE SA 3N/RM BASSO	3h	NiCd 6V 1,2Ah	4	380x58x240	1,7
3984	EXITLITE SA 3H/RM BASSO	3h	NiMH 6V 1,2Ah	4	380x58x240	1,6

# granluceLED IP65

Emergency luminaires

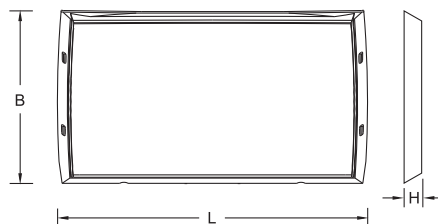
granluce  
LED



6-11 W




8-18-24 W



Accessories: must be ordered separately

Code	Description	Pack/pcs.
12942	RECESS MOUNTING KIT 6/11W	1
12943	RECESS MOUNTING KIT 8/18/24W	1

Accessories: supplied

Code	Descriptive	Description	Pack/pcs.
3727	4003/RG	tube clamp PG16/PG20	1
12941*		 ADES LEFT RIGHT DOWN 8/18/24W	1

Luminaire delivering high luminous efficiency. Polycarbonate housing, highly transparent shield. Wide-beam metallized polycarbonate louver with a complex faceted geometry and sequential planes of reflection. High-efficiency electronic circuit in SE (non-maintained), SA (maintained) versions with 1h or 3h of duration.

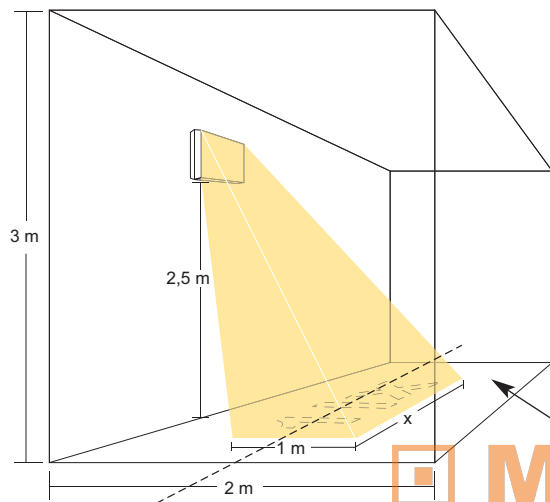
MODULO  
ELECTRO  
www.modulelectro.ru

\*Pictograms are supplied for 8/18/24W SA (maintained) versions only

W	Code	Article	LED	Duration	Battery	Luminous flux*	Pack	LxBxH (mm)	Kg
6	12950	GRANLUCE LED IP65 AT 6W SE1NRM	1	1h	NiCd HT 4.8V 0.75AH PACK	59 lm	12	213x157x50	0,6
6	12951	GRANLUCE LED IP65 AT 6W SE3NRM	1	3h	NiCd HT 4.8V 1.7AH SC TYPE AA	59 lm	12	213x157x50	0,7
8	12952	GRANLUCE LED IP65 AT 8W SE1NRM	2	1h	NiCd HT 6V 0.75AH AA PACK	64 lm	6	355x179x57	0,8
8	12953	GRANLUCE LED IP65 AT 8W SE3NRM	2	3h	NiCd HT 7.2V 1.7AH SC TYPE AA	64 lm	6	355x179x57	0,9
8	12954	GRANLUCE LED IP65 AT 8W SA1NRM	2	1h	NiCd HT 6V 0.75AH AA PACK	64 lm	6	355x179x57	0,8
8	12955	GRANLUCE LED IP65 AT 8W SA3NRM	2	3h	NiCd HT 7.2V 1.7AH SC TYPE AA	64 lm	6	355x179x57	0,9
11	12956	GRANLUCE LED IP65 AT 11W SE1NRM	1	1h	NiCd HT 4.8V 0.75AH PACK	82 lm	12	213x157x50	0,6
11	12957	GRANLUCE LED IP65 AT 11W SE3NRM	1	3h	NiCd HT 4.8V 1.7AH SC TYPE AA	82 lm	12	213x157x50	0,7
18	12960	GRANLUCE LED IP65 AT 18W SE1NRM	2	1h	NiCd HT 6V 0.75AH AA PACK	122 lm	6	355x179x57	0,8
18	12961	GRANLUCE LED IP65 AT 18W SE3NRM	2	3h	NiCd HT 7.2V 1.7AH SC TYPE AA	122 lm	6	355x179x57	0,9
18	12962	GRANLUCE LED IP65 AT 18W SA1NRM	2	1h	NiCd HT 6V 0.75AH AA PACK	122 lm	6	355x179x57	0,8
18	12963	GRANLUCE LED IP65 AT 18W SA3NRM	2	3h	NiCd HT 7.2V 1.7AH SC TYPE AA	122 lm	6	355x179x57	0,9
24	12964	GRANLUCE LED IP65 AT 24W SE1NRM	2	1h	NiCd HT 4.8V 1.7AH SC TYPE AA	148 lm	6	355x179x57	0,8
24	12965	GRANLUCE LED IP65 AT 24W SE3NRM	2	3h	NiCd HT 7.2V 1.7AH SC TYPE AA	148 lm	6	355x179x57	0,9
24	12966	GRANLUCE LED IP65 AT 24W SA1NRM	2	1h	NiCd HT 4.8V 1.7AH SC TYPE AA	148 lm	6	355x179x57	0,8
24	12967	GRANLUCE LED IP65 AT 24W SA3NRM	2	3h	NiCd HT 7.2V 1.7AH SC TYPE AA	148 lm	6	355x179x57	0,9

\* In the case of LED lamps, the luminous flux remains constant throughout the duration of emergency operation: therefore, the lumen rating can be considered to correspond to the average flow.

Wall installation



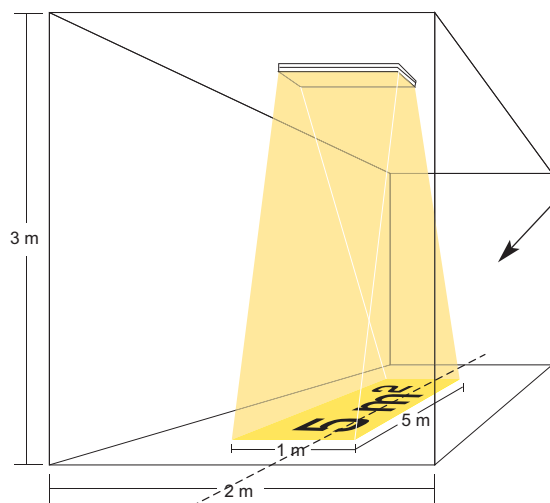
W	Code	Luminous lux (lx)	X (m <sup>2</sup> )
6	12950	2,04	5,0
8	12952	2,47	5,5
11	12956	2,84	6,0
18	12960	4,71	6,5
24	12964	5,71	7,5

**MODULO**  
ELECTRO

www.modulelectro.ru

Respect minimal illuminance level 1lx on the floor at zero reflectance factors, required by EN 1838 for emergency illumination of escape ways.

Ceiling installation



W	Code	Luminous lux (lx)	X (m <sup>2</sup> )
11	12956	1,13	5,0
18	12960	1,20	6,0
24	12964	1,46	7,0

# metricaLED IP40

## Emergency luminaires

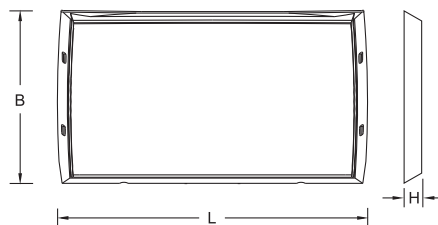
metrica  
LED



6-11 W



8-18-24 W



Accessories: must be ordered separately

Code	Description	Pack/ pcs.
12942	RECESS MOUNTING KIT METRICA 6/11W	1
12943	RECESS MOUNTING KIT METRICA 8/18/24W	1

Accessories: supplied only with maintained (SA) version

Code	Description	Pack/ pcs.
12941	ADES LEFT RIGHT DOWN METRICA 8/18/24W	1

Luminaire delivering high luminous efficiency. Power LED light source with a lifespan of 100,000 hours. Polycarbonate housing, highly transparent shield. Wide-beam metallized polycarbonate cover with a complex faceted geometry and sequential planes of reflection. High-efficiency electronic circuit in SE (non-maintained), SA (maintained) versions with 1h or 3h of duration.

MODULO  
ELECTRO  
www.modulelectro.ru

metrica  
LED

W	Code	Article	LED	Duration	Battery	Luminous flux*	Pack	LxBxH (mm)	Kg
6	12900	METRICA LED IP40 AT 6W SE 1N	1	1h	NiCd HT 4.8V 0.75AH PACK	58 lm	1	213x157x50	0,6
6	12901	METRICA LED IP40 AT 6W SE 3N	1	3h	NiCd HT 4.8V 1.7AH SC TYPE AA	58 lm	1	213x157x50	0,7
8	12904	METRICA LED IP40 AT 8W SE 1N	2	1h	NiCd HT 6V 0.75AH AA PACK	60 lm	1	355x179x57	0,8
8	12905	METRICA LED IP40 AT 8W SE 3N	2	3h	NiCd HT 7.2V 1.7AH SC TYPE AA	60 lm	1	355x179x57	0,9
8	12908	METRICA LED IP40 AT 8W SA 1N	2	1h	NiCd HT 6V 0.75AH AA PACK	60 lm	1	355x179x57	0,8
8	12909	METRICA LED IP40 AT 8W SA 3N	2	3h	NiCd HT 7.2V 1.7AH SC TYPE AA	60 lm	1	355x179x57	0,9
11	12912	METRICA LED IP40 AT 11W SE 1N	1	1h	NiCd HT 4.8V 0.75AH PACK	82 lm	1	213x157x50	0,6
11	12913	METRICA LED IP40 AT 11W SE 3N	1	3h	NiCd HT 4.8V 1.7AH SC TYPE AA	82 lm	1	213x157x50	0,7
18	12920	METRICA LED IP40 AT 18W SE 1N	2	1h	NiCd HT 6V 0.75AH AA PACK	116 lm	1	355x179x57	0,8
18	12921	METRICA LED IP40 AT 18W SE 3N	2	3h	NiCd HT 7.2V 1.7AH SC TYPE AA	116 lm	1	355x179x57	0,9
18	12924	METRICA LED IP40 AT 18W SA 1N	2	1h	NiCd HT 6V 0.75AH AA PACK	116 lm	1	355x179x57	0,8
18	12925	METRICA LED IP40 AT 18W SA 3N	2	3h	NiCd HT 7.2V 1.7AH SC TYPE AA	116 lm	1	355x179x57	0,9
24	12928	METRICA LED IP40 AT 24W SE 1N	2	1h	NiCd HT 4.8V 1.7AH SC TYPE AA	142 lm	1	355x179x57	0,8
24	12929	METRICA LED IP40 AT 24W SE 3N	2	3h	NiCd HT 7.2V 1.7AH SC TYPE AA	142 lm	1	355x179x57	0,9
24	12932	METRICA LED IP40 AT 24W SA 1N	2	1h	NiCd HT 4.8V 1.7AH SC TYPE AA	142 lm	1	355x179x57	0,8
24	12933	METRICA LED IP40 AT 24W SA 3N	2	3h	NiCd HT 7.2V 1.7AH SC TYPE AA	142 lm	1	355x179x57	0,9

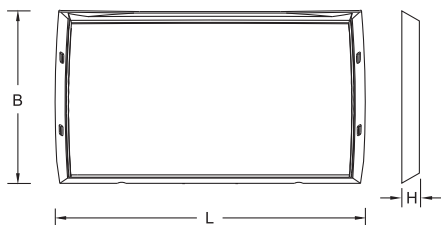
\* In the case of LED lamps, the luminous flux remains constant throughout the duration of emergency operation: therefore, the lumen rating can be considered to correspond to the average flow.



## Emergency luminaires

metrica  
LED

# metricaLED IP65



8-18-24 W



6-11 W

Luminaire delivering high luminous efficiency. Power LED light source with a lifespan of 100,000 hours. Monolithic optical assembly to seal out dust. Polycarbonate housing, highly transparent shield. Wide-beam metallized polycarbonate louver with complex faceting and sequential planes of reflection. Sealing gasket made of expanded EPDM, resistant to aging and atmospheric agents. High-efficiency electronic circuit in SE (non-maintained), SA (maintained) versions with 1h or 3h of duration.

Accessories: must be ordered separately

Code	Description	Pack/ pcs.
12942	RECESS MOUNTING KIT METRICA 6/11W	1
12943	RECESS MOUNTING KIT METRICA 8/18/24W	1



Accessories: supplied

Code	Description	Pack/ pcs.
3727	4003/RG tube clamp PG16/PG20	1
12941	ADES LEFT RIGHT DOWN METRICA 8/18/24W	1

www.modulselectra.it

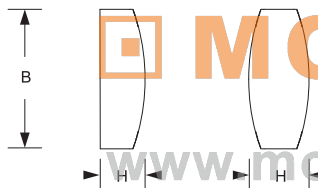
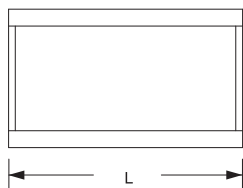
metrica  
LED

\* Pictograms are supplied for 8/18/24W SA (maintained) versions only

W	Code	Article	LED Duration		Battery	Luminous flux*	Pack	LxBxH (mm)	Kg
6	12902	METRICA LED IP65 AT 6W SE 1N	1	1h	NiCd HT 4.8V 0.75AH PACK	58 lm	1	213x157x50	0,6
6	12903	METRICA LED IP65 AT 6W SE 3N	1	3h	NiCd HT 4.8V 1.7AH SC TYPE AA	58 lm	1	213x157x50	0,7
8	12906	METRICA LED IP65 AT 8W SE 1N	2	1h	NiCd HT 6V 0.75AH AA PACK	60 lm	1	355x179x57	0,8
8	12907	METRICA LED IP65 AT 8W SE 3N	2	3h	NiCd HT 7.2V 1.7AH SC TYPE AA	60 lm	1	355x179x57	0,9
8	12910	METRICA LED IP65 AT 8W SA 1N	2	1h	NiCd HT 6V 0.75AH AA PACK	60 lm	1	355x179x57	0,8
8	12911	METRICA LED IP65 AT 8W SA 3N	2	3h	NiCd HT 7.2V 1.7AH SC TYPE AA	60 lm	1	355x179x57	0,9
11	12914	METRICA LED IP65 AT 11W SE 1N	1	1h	NiCd HT 4.8V 0.75AH PACK	82 lm	1	213x157x50	0,6
11	12915	METRICA LED IP65 AT 11W SE 3N	1	3h	NiCd HT 4.8V 1.7AH SC TYPE AA	82 lm	1	213x157x50	0,7
18	12922	METRICA LED IP65 AT 18W SE 1N	2	1h	NiCd HT 6V 0.75AH AA PACK	116 lm	1	355x179x57	0,8
18	12923	METRICA LED IP65 AT 18W SE 3N	2	3h	NiCd HT 7.2V 1.7AH SC TYPE AA	116 lm	1	355x179x57	0,9
18	12926	METRICA LED IP65 AT 18W SA 1N	2	1h	NiCd HT 6V 0.75AH AA PACK	116 lm	1	355x179x57	0,8
18	12927	METRICA LED IP65 AT 18W SA 3N	2	3h	NiCd HT 7.2V 1.7AH SC TYPE AA	116 lm	1	355x179x57	0,9
24	12930	METRICA LED IP65 AT 24W SE 1N	2	1h	NiCd HT 4.8V 1.7AH SC TYPE AA	142 lm	1	355x179x57	0,8
24	12931	METRICA LED IP65 AT 24W SE 3N	2	3h	NiCd HT 7.2V 1.7AH SC TYPE AA	142 lm	1	355x179x57	0,9
24	12934	METRICA LED IP65 AT 24W SA 1N	2	1h	NiCd HT 4.8V 1.7AH SC TYPE AA	142 lm	1	355x179x57	0,8
24	12935	METRICA LED IP65 AT 24W SA 3N	2	3h	NiCd HT 7.2V 1.7AH SC TYPE AA	142 lm	1	355x179x57	0,9

\* In the case of LED lamps, the luminous flux remains constant throughout the duration of emergency operation: therefore, the lumen rating can be considered to correspond to the average flow.

# maxima/ maxima LED



## Emergency luminaires for Central Battery System

Description: available 8W (T5), 2x1W (LED)

Material: polycarbonate

Degree of protection: IP 54

Rated voltage: 198V-254V/50Hz

Mounting: on wall or ceiling

Fittings are supplied complete with

Code	Description
FB16910	Exit signs (set with all 4 films)
F95505	Adaptor for ceiling mounting
F95506	Wall bracket

Accessories: (must be ordered separately)

Code	Description
FB3723	Adaptor for wire or chain suspension
F95510	Suspension profile 500 mm
F95511	Suspension profile 1000 mm
F95512	Suspension profile 1500 mm

www.modulelectro.ru



W	Code	EVG	SLEB	AUTO	NEA	LxBxH (mm)	Kg
Version for wall mounting and single sided exit route sign							
T5 8W	T92360_*	BLF: 100%	75%	75%	100%	390x227x79,3	1,5
LED 2x1W	T92360_*-LED	BLF: 100%	100%	100%	100%	390x227x79,3	1,5
Version for ceiling, pendant rod and wall bracket mounting and double sided exit route sign							
T5 8W	T92362_*	BLF: 100%	75%	75%	100%	390x227x90	1,5
LED 2x1W	T92362_*-LED	BLF: 100%	100%	100%	100%	390x227x90	1,5

\* Order code with suffix E: e. g. TnnnE = Luminaire with HF ballast without monitoring modules  
 Order code with suffix S: e. g. TnnnS = Luminaire with HF ballast with monitoring module, manual coding  
 Order code with suffix A: e. g. TnnnA = Luminaire with HF ballast with monitoring module, automatic coding  
 Order code with suffix N: e. g. TnnnN = Luminaire with HF ballast suitable for LOGICANE emergency lighting systems

## Emergency luminaires

# maxima/ maxima LED

**Description:** available 8W (T5), 2x1W (LED)

**Material:** white polycarbonate

**Degree of protection:** IP 54

**Rated voltage:** 198V-254V/50Hz

**Mounting:** on wall or ceiling



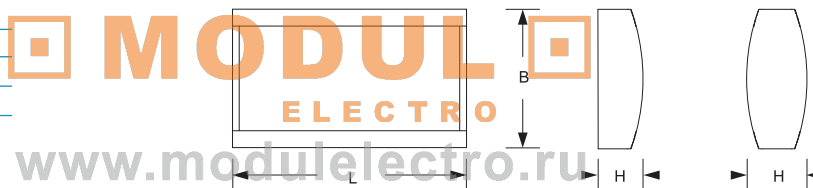
Fittings are supplied complete with

Code	Description
FB16910	Exit signs (set with all 4 films)
F95505	Adaptor for ceiling mounting
F95506	Wall bracket



**Accessories:** (must be ordered separately)

Code	Description
FB3723	Adaptor for wire or chain suspension
F95510	Suspension profile 500 mm
F95511	Suspension profile 1000 mm
F95512	Suspension profile 1500 mm



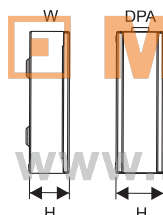
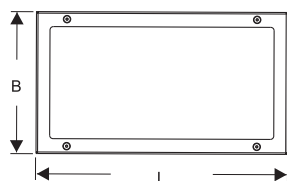
**[LOGICA]**  
SOLUTION

W	Code	Duration	BLF	Standard	Autotest	Centraltest	LxBxH (mm)	Kg
Single sided exit sign								
T5 8W	N90360L	1h/3h	91% (1h)/ 38% (3h)	-	x	x	390x227x79,3	2,0
Double sided exit sign								
T5 8W	N90362L	1h/3h	91% (1h)/ 38% (3h)	-	x	x	390x227x90	2,0
For Logica-FM fittings please order FM-module (FB16304) separately.								
Single sided exit sign								
T5 8W	NB90360	1h	43%	x	-	-	390x227x79,3	2,0
T5 8W	NB90361	3h	33%	x	-	-	390x227x79,3	2,0
Double sided exit sign								
T5 8W	NB90362	1h	43%	x	-	-	390x227x90	2,0
T5 8W	NB90363	3h	33%	x	-	-	390x227x90	2,0
Standard type supplied with test swith.								
Single sided exit sign								
LED 2x1W	N90360L-LED	1h/3h	100%	-	x	x	390x227x79,3	1,5
Double sided exit sign								
LED 2x1W	N90362L-LED	1h/3h	100%	-	x	x	390x227x90	1,5

For Logica-FM fittings please order FM-module (FB16304) separately.

# kubus IP65 / kubus IP65 LED

Emergency luminaires  
for Central Battery System



Description: available LED 5W and 8W

Material: steel sheet (RAL9003 or INOX)

Degree of protection: IP 65

Rated voltage: 198V-254V/50Hz

Mounting: wall, ceiling, pendant rod and wall bracket mounting

MODUL  
ELECTRO  
www.modulelectro.ru



Accessories: (must be ordered separately)

Code	Description
E16700 for WAND	Exit signs for one side - set of 3pcs
E16701 for DPA	Exit signs for double sided - set of 5pcs

White Inox

Code	Description
F95603 F95608	Pendant 100 mm
F95604 F95609	Pendant 500 mm
F95605 F95610	Pendant 1000 mm
F95606 F95611	Wall bracket (flag)
F95612 F95613	Adaptor for ceiling mounting
F95607 F95607	Protective grill

W	Code	Colour	EVG	SLEB	AUTO	NEA	LxBxH (mm)	Kg
Single sided								
8	TM92720_*	White	BLF: 100%	75%	75%	100%	370x209x63,5	2
8	TM92722_*	Inox	BLF: 100%	75%	75%	100%	370x209x63,5	2
5	TM92720_*-LED	White	BLF: 100%	100%	100%	100%	370x209x63,5	2
5	TM92722_*-LED	Inox	BLF: 100%	100%	100%	100%	370x209x63,5	2
Double sided								
8	TM92721_*	White	BLF: 100%	75%	75%	100%	370x209x70	2
8	TM92723_*	Inox	BLF: 100%	75%	75%	100%	370x209x70	2
5	TM92721_*-LED	White	BLF: 100%	100%	100%	100%	370x209x70	2
5	TM92723_*-LED	Inox	BLF: 100%	100%	100%	100%	370x209x70	2

\* Order code with suffix E: e. g. TnnnE = Luminaire with HF ballast without monitoring modules  
 Order code with suffix S: e. g. TnnnS = Luminaire with HF ballast with monitoring module, manual coding  
 Order code with suffix A: e. g. TnnnA = Luminaire with HF ballast with monitoring module, automatic coding  
 Order code with suffix N: e. g. TnnnN = Luminaire with HF ballast suitable for LOGICA-NEA emergency lighting systems

## Emergency luminaires

# kubus IP65 / kubus IP65 LED



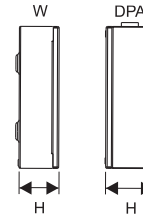
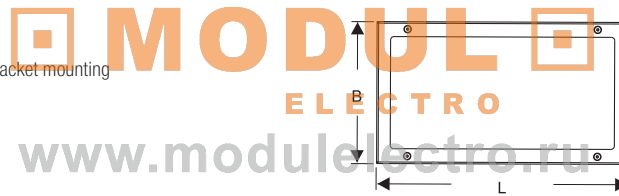
Description: available LED 5W and 8W

Material: steel sheet (RAL9003 or INOX)

Degree of protection: IP 65

Rated voltage: 198V-254V/50Hz

Mounting: wall, ceiling, pendant rod and wall bracket mounting



**[LOGICA]**  
SOLUTION

W	Code	Duration	Battery	LxBxH (mm)	Colour	Kg
Single sided						
8	NM90720L	1h/3h	NiCd 7,2V 1,7Ah	370x209x63,5	White	2
8	NM90722L	1h/3h	NiCd 7,2V 1,7Ah	370x209x63,5	Inox	2
5	NM90720L-LED	1h/3h	NiCd 7,2V 1,7Ah	370x209x63,5	White	2
5	NM90722L-LED	1h/3h	NiCd 7,2V 1,7Ah	370x209x63,5	Inox	2

Double sided						
8	NM90721L	1h/3h	NiCd 7,2V 1,7Ah	370x209x70	White	2
8	NM90723L	1h/3h	NiCd 7,2V 1,7Ah	370x209x70	Inox	2
5	NM90721L-LED	1h/3h	NiCd 7,2V 1,7Ah	370x209x70	White	2
5	NM90723L-LED	1h/3h	NiCd 7,2V 1,7Ah	370x209x70	Inox	2

Accessories: (must be ordered separately)

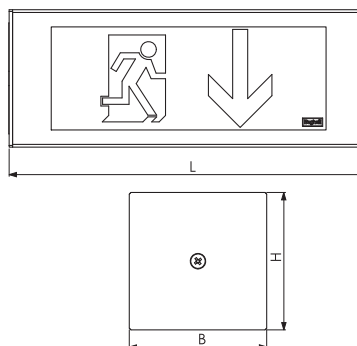
Code	Description
E16700 for WAND	Exit signs for one side - set of 3pcs
E16701 for DPA	Exit signs for double sided - set of 5pcs

White	Inox	
F95603	F95608	Pendant 100 mm
F95604	F95609	Pendant 500 mm
F95605	F95610	Pendant 1000 mm
F95606	F95611	Wall bracket (flag)
F95612	F95613	Adaptor for ceiling mounting
F95607	F95607	Protective grill

# nano



## Emergency luminaires for Central Battery System



Description: available 4W

Material: steel sheet (RAL9003)

Degree of protection: IP 30




Rated voltage: 198V/254V/50Hz

Mounting: on wall or ceiling

**MODULO**  
**ELECTRO**

www.modulelectro.ru

Accessories: (must be ordered separately)

Code	Description
4W	
E16632N	Exit sign pane down 
E16631N	Exit sign pane right 
E16630N	Exit sign pane left 
E16634	Opal diffuser
E16635	Aluminium cover



W	Code	EVG	SLEB	AUTO	NEA	LxBxH (mm)	Kg
4	TM92403_*	BLF: 100%	75%	75%	100%	209x80x80	1

\* Order code with suffix E: e. g. TnnnE = Luminaire with HF ballast without monitoring modules  
 Order code with suffix S: e. g. TnnnS = Luminaire with HF ballast with monitoring module, manual coding  
 Order code with suffix A: e. g. TnnnA = Luminaire with HF ballast with monitoring module, automatic coding  
 Order code with suffix N: e. g. TnnnN = Luminaire with HF ballast suitable for LOGICA-NEA emergency lighting systems

# Emergency luminaires for Central Battery System



Description: available LED 3,6W

Material: clear polycarbonate

Degree of protection: IP 40

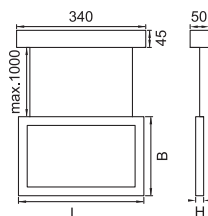
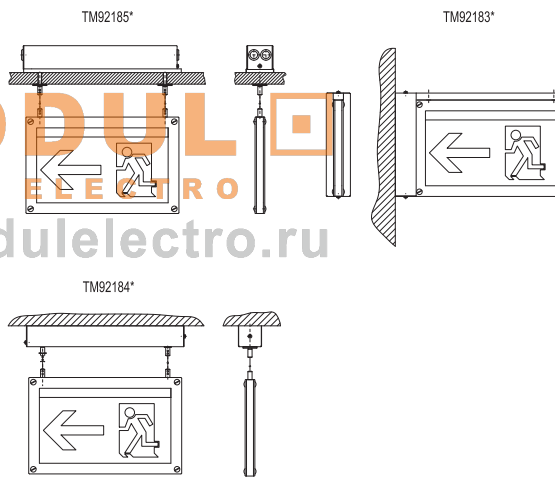
Rated voltage: 198V-254V/50Hz

Mounting: recessed, pendant or bracket installation

Accessories: (must be ordered separately)

Code	Description
E16624TRL	Exit sign pane double sided - left, right
E16624TU	Exit sign pane double sided - down
E16624WL	Exit sign pane single sided - left
E16624WR	Exit sign pane single sided - right
E16624WU	Exit sign pane single sided - down

**MODULO**  
ELECTRO  
www.modulelectro.ru



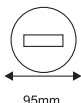
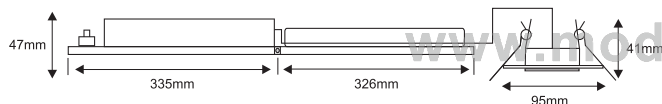
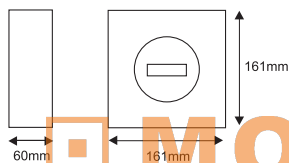
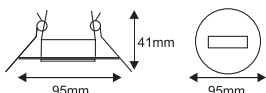
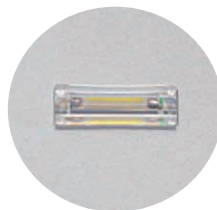
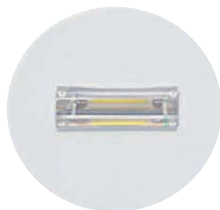
W	Code	EVG	SLEB	AUTO	NEA	LxBxH (mm)	Kg
Version for wall mounting and single sided exit route sign							
LED 3,6W	TM92182_*	BLF: 100%	100%	100%	100%	330x208x21	1,5
Version for wall bracket mounting and double sided exit route sign							
LED 3,6W	TM92183_*	BLF: 100%	100%	100%	100%	330x208x52	1,5
Version for wire suspended mounting and double sided exit route sign							
LED 3,6W	TM92184_*	BLF: 100%	100%	100%	100%	330x208x21	1,5
Version for recessed ceiling mounting and wire suspension and double sided exit route sign							
LED 3,6W	TM92185_*	BLF: 100%	100%	100%	100%	330x208x52	1,5

\* Order code with suffix E: e. g. TnnnE = Luminaire with HF ballast without monitoring modules  
 Order code with suffix S: e. g. TnnnS = Luminaire with HF ballast with monitoring module, manual coding  
 Order code with suffix A: e. g. TnnnA = Luminaire with HF ballast with monitoring module, automatic coding  
 Order code with suffix N: e. g. TnnnN = Luminaire with HF ballast suitable for LOGICA-NEA emergency lighting systems

# slimline



## Emergency luminaires LED for Central Battery System



Description: available LED 3W

Material: steel sheet and die-cast aluminium

Colour: grey (RAL 9006) or white (RAL 9003)

Degree of protection: IP 20

Rated voltage: 198V-254V/50Hz

Mounting: recessed or ceiling



	W	Code	EVG	SLEB	AUTO	NEA	Colour	Kg
⊖	recessed							
	LED 1x3W	T92023_*	BLF: 100%	100%	100%	100%	grey	0,5
	LED 1x3W	T92024_*	BLF: 100%	100%	100%	100%	white	0,5
⊙	recessed							
	LED 1x3W	T92015_*	BLF: 100%	100%	100%	100%	grey	0,5
	LED 1x3W	T92016_*	BLF: 100%	100%	100%	100%	white	0,5
⊖	ceiling							
	LED 1x3W	T92025_*	BLF: 100%	100%	100%	100%	grey	0,5
	LED 1x3W	T92026_*	BLF: 100%	100%	100%	100%	white	0,5

\* Order code with suffix E: e. g. TnnnnE = Luminaire with HF ballast without monitoring modules

Order code with suffix S: e. g. TnnnnS = Luminaire with HF ballast with monitoring module, manual coding

Order code with suffix A: e. g. TnnnnA = Luminaire with HF ballast with monitoring module, automatic coding

Order code with suffix N: e. g. TnnnnN = Luminaire with HF ballast suitable for LOGICA-NEA emergency lighting systems



	W	Code	Duration	Autotest	Centraltest	Colour	Kg
⊖	recessed						
	LED 1x3W	N90023L	1h/3h	x	x	grey	0,5
	LED 1x3W	N90024L	1h/3h	x	x	white	0,5
⊙	recessed						
	LED 1x3W	N90015L	1h/3h	x	x	grey	0,5
	LED 1x3W	N90016L	1h/3h	x	x	white	0,5

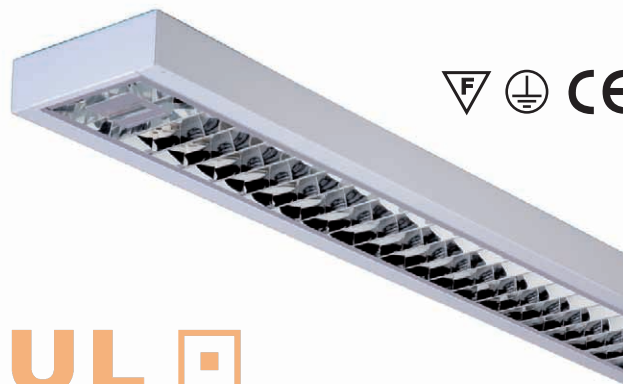


## LED emergency module



**[LOGICA]**  
SOLUTIONS

**[LOGICA]** fm  
SOLUTIONS



**Description:** electronic conversion kit LED for T5 and T8 fluorescent lamps

**Recharging time:** 12 hours

**Degree of protection:** IP 20

**LED indicating:** the presence of power supply and activation of the recharge circuit

**Rated voltage:** 230V-50Hz

**Battery type:** NiCd

**Battery voltage:** 7,2 V

**Battery capacity:** 1,7 Ah

**Duration:** 1h / 3h

**MODUL**  
ELECTRO  
[www.modulelectro.ru](http://www.modulelectro.ru)

### Special features:

- narrow and far beam for optimal lighting of the emergency exit
- universal application for ceiling, suspended and recessed luminaires with parabolic louvre
- possibility to turn LED module about 90°

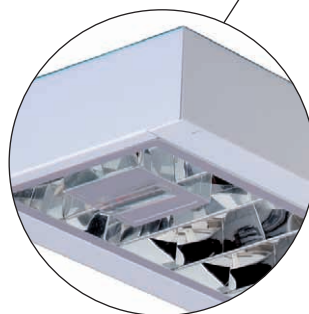
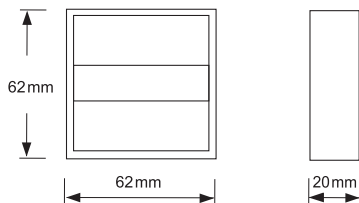
### Encoding system:

add LGLED for logica version

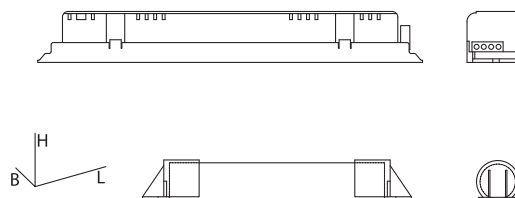
add LGFMLED for logica FM version

### For example series Canes 09:

09-013/228/CB+++LGLED



# compact | electroinverter



**Description:** electronic conversion kit for T5 and T8 fluorescent lamps.  
Easy to install within ceiling light fittings, it supplies them in the event of a power failure.

**Recharging time:** 12 hours

**LED indicating:** the presence of power supply and activation of the recharge circuit

**Operating temperature:** ta 0-40°C

**Rated voltage:** 230V-50Hz

## MODUL

### T8

W	Code	Article	Duration	Battery	Pack./ pcs.	Dimensions (mm)			Dimensions (mm)				
						L	B	H	L	B	H	Ø	Typ
18÷58	12478	EL E843/18-58 6V SA1N	1h	NiCd 4,8V 1,7Ah	12								
18÷58	12480	EL E843/18-58 6V SA1N	1h	NiCd 6V 4Ah	12								
18÷58	12482	EL E843/18-58 6V SA3N	3h	NiCd 6V 4Ah	12								
18÷58	12484	EL E843/18-58 6V SA1P	1h	Pb 6V 4Ah	12								
18÷58	12486	EL E843/18-58 6V SA3P	3h	Pb 6V 4Ah	12								
18÷58	12481	EL E843/18-58 6V SA1N RM	1h	NiCd 6V 4Ah	12								
18÷58	12483	EL E843/18-58 6V SA3N RM	3h	NiCd 6V 4Ah	12								
18÷58	12485	EL E843/18-58 6V SA1P RM	1h	Pb 6V 4Ah	12								
18÷58	12487	EL E843/18-58 6V SA3P RM	3h	Pb 6V 4Ah	12								
18÷58	12513	839/18-58W SA (Aestetica inv.)	1h	NiCd 4,8V 1,7Ah	12								

### T5

W	Code	Article	Duration	Battery	Pack./ pcs.	Dimensions (mm)			Dimensions (mm)				
						L	B	H	L	B	H	Ø	Typ
14÷24	12488	EL E843/14-24 4.8V SA1N T5	1h	NiCd 4.8V 1.7Ah	12								
14÷28	12490	EL E843/14-28 6V SA3N T5	3h	NiCd 6V 4Ah	12								
28÷80	12492	EL E843/28-80 6V SA1N T5	1h	NiCd 6V 4Ah	12								
28÷80	12494	EL E843/28-80 6V SA1P T5	1h	PB 6V 4Ah	12								
14÷24	12489	EL E843/14-24 4.8V SA1N T5 RM	1h	NiCd 4.8V 1.7Ah	12								
14÷28	12491	EL E843/14-28 6V SA3N T5 RM	3h	NiCd 6V 4Ah	12								
28÷80	12493	EL E843/28-80 6V SA1N T5 RM	1h	NiCd 6V 4Ah	12								
28÷80	12495	EL E843/28-80 6V SA1P T5 RM	1h	PB 6V 4Ah	12								



**MODULO**  
ELECTRO  
[www.modulelectro.ru](http://www.modulelectro.ru)

# Index – emergency luminaires

Code	page	Code	page	Code	page	Code	page
1629	12	3723	12, 14, 16, 17	11055	18	12513	32
1630	12	3727	12, 14, 21	11056	18	12520	8
1651	12	3892	14	11057	18	12521	8
1652	12	3893	16, 17	11058	18	12900	22
1662	12	3894	16, 17	11059	18	12901	22
1670	12	3896	12	11593	15	12902	23
1696	12	3897	12	11594	15	12903	23
1697	12	3898	12	11595	15	12904	22
1714	12	3900	17	12100	9	12905	22
1715	12	3905	17	12101	9	12906	23
1725	12	3907	12, 16, 17	12102	9	12907	23
1726	12	3908	12, 16	12103	9	12908	22
1921	14	3912	17	12104	9	12909	22
1922	14	3966	9	12105	9	12910	23
1923	14	3969	19	12106	9	12911	23
1925	14	3970	19	12107	9	12912	22
1926	14	3972	19	12126	9	12913	22
1929	14	3973	19	12150	8	12914	23
1930	14	3974	19	12151	8	12915	23
2059	16	3976	19	12152	8	12920	22
2060	16	3977	19	12153	8	12921	22
2064	16	3978	19	12193	9	12922	23
2065	16	3980	19	12194	9	12923	23
2066	16	3981	19	12198	9	12924	22
2067	16	3982	19	12199	9	12925	22
2073	16	3984	19	12478	32	12926	23
2075	16	8091	17	12480	32	12927	23
2077	16	8092	17	12481	32	12928	22
2308	13	8095	17	12482	32	12929	22
2311	13	8096	17	12483	32	12930	23
2320	13	8097	17	12484	32	12931	23
2324	13	8098	17	12485	32	12932	22
2733	12	8103	17	12486	32	12933	22
2734	12, 14	8105	17	12487	32	12934	23
2738	16	8107	17	12488	32	12935	23
2739	17	8109	17	12489	32	12941	20, 22, 23
2741	16	8110	17	12490	32	12942	20, 22, 23
2742	17	8580	15	12491	32	12943	20, 22, 23
2755	13	8581	15	12492	32	12950	20
2756	13	8582	15	12493	32	12951	20
2757	13	8583	15	12494	32	12952	20
2758	13	8785	8	12495	32	12953	20
2760	13	8788	8	12500	8	12954	20
2771	13	9021	19	12501	8	12955	20
2778	13	9075	19	12504	8	12956	20
2779	13	11048	18	12505	8	12957	20
2780	13	11049	18	12506	8	12960	20
2781	13	11050	18	12507	8	12961	20
2783	13	11051	18	12508	8	12962	20
2795	13	11052	18	12509	8	12963	20
3503	19	11053	18	12510	8	12964	20
3653	13	11054	18	12511	8	12965	20

Code	page	Code	page	Code	page	Code	page
12966	20	99-985/RAL9006	11	NM90722L-LED	27	TM92184E	29
12967	20	99-986/RAL9003	11	NM90723L	27	TM92184N	29
19000	10	99-986/RAL9006	11	NM90723L-LED	27	TM92184S	29
19001	10	99-987/RAL9003	11	T92015A	30	TM92185A	29
19002	10	99-987/RAL9006	11	T92015E	30	TM92185E	29
19003	10	E16624TRL	29	T92015N	30	TM92185N	29
19004	10	E16624TU	29	T92015S	30	TM92185S	29
19005	10	E16624WL	29	T92016A	30	TM92403A	28
19006	10	E16624WR	29	T92016E	30	TM92403E	28
19007	10	E16624WU	29	T92016N	30	TM92403N	28
19008	10	E16630N	28	T92016S	30	TM92403S	28
19009	10	E16631N	28	T92023A	30	TM92720A	26
19010	10	E16632N	28	T92023E	30	TM92720A-LED	26
19011	10	E16634	28	T92023N	30	TM92720E	26
19012	10	E16635	28	T92023S	30	TM92720E-LED	26
19013	10	E16700	26	T92024A	30	TM92720N	26
19020	10	E16701	26	T92024E	30	TM92720N-LED	26
19021	10	F95505	24, 25	T92024N	30	TM92720S	26
19022	10	F95506	24, 25	T92024S	30	TM92720S-LED	26
19023	10	F95510	24, 25	T92025A	30	TM92721A	26
19024	10	F95511	24, 25	T92025E	30	TM92721A-LED	26
19025	10	F95512	24, 25	T92025N	30	TM92721E	26
19026	10	F95603	26, 27	T92025S	30	TM92721E-LED	26
19027	10	F95604	26, 27	T92026A	30	TM92721N	26
19028	10	F95605	26, 27	T92026E	30	TM92721N-LED	26
19029	10	F95606	26, 27	T92026N	30	TM92721S	26
19030	10	F95607	26, 27	T92026S	30	TM92721S-LED	26
19031	10	F95608	26, 27	T92360A	24	TM92722A	26
19032	10	F95609	26, 27	T92360A-LED	24	TM92722A-LED	26
19033	10	F95610	26, 27	T92360E	24	TM92722E	26
19040	10	F95611	26, 27	T92360E-LED	24	TM92722E-LED	26
19041	10	F95612	26, 27	T92360N	24	TM92722N	26
19042	10	F95613	26, 27	T92360N-LED	24	TM92722N-LED	26
19043	10	FB16910	24, 25	T92360S	24	TM92722S	26
19044	10	FB3723	24, 25	T92360S-LED	24	TM92722S-LED	26
12102S	9	N90023L	30	T92362A	24	TM92723A	26
12103S	9	N90024L	30	T92362A-LED	24	TM92723A-LED	26
12104S	9	N90360L	25	T92362E	24	TM92723E	26
12105S	9	N90360L-LED	25	T92362E-LED	24	TM92723E-LED	26
12106S	9	N90362L	25	T92362N	24	TM92723N	26
12107S	9	N90362L-LED	25	T92362N-LED	24	TM92723N-LED	26
69-903/108/C	11	N90015L	30	T92362S	24	TM92723S	26
69-903/108/C++++LG	11	N90016L	30	T92362S-LED	24	TM92723S-LED	26
69-903/108/C++++TR1	11	NB90360	25	TM92182A	29		
69-903/108/C++++TR3	11	NB90361	25	TM92182E	29		
69-913/108/C++++LG	11	NB90362	25	TM92182N	29		
69-913/108/C++++TR1	11	NB90363	25	TM92182S	29		
69-913/108/C++++TR3	11	NM90720L	27	TM92183A	29		
99-710	8	NM90720L-LED	27	TM92183E	29		
99-886	8	NM90721L	27	TM92183N	29		
99-888	8	NM90721L-LED	27	TM92183S	29		
99-985/RAL9003	11	NM90722L	27	TM92184A	29		

# Notes

 **MODUL** 

**ELECTRO**

[www.modulelectro.ru](http://www.modulelectro.ru)